


**Ordering number CN12107\_LENA-S-DL**

Family	Lena	FWHM	11 degrees
Type	-	Efficiency	80 %
LED	CXA2011	cd/lm	-
Color	Metal	Gerber File	Available
Diameter	111 mm		
Height	88.6 mm		
Style	Round		
Optic Material	PC		
Holder Material	PC		
Fastening	Screw		
Status	Ready		

**Ordering number CN12167\_LENA-M-DL**

Family	Lena	FWHM	19 degrees
Type	-	Efficiency	78 %
LED	CXA2011	cd/lm	4.100
Color	Metal	Gerber File	Available
Diameter	111 mm		
Height	88.6 mm		
Style	Round		
Optic Material	PC		
Holder Material	PC		
Fastening	Screw		
Status	Ready		

**Ordering number CN12109\_LENA-W-DL**

Family	Lena	FWHM	42 degrees
Type	-	Efficiency	75 %
LED	CXA2011	cd/lm	-
Color	Metal	Gerber File	Available
Diameter	111 mm		
Height	88.6 mm		
Style	Round		
Optic Material	PC		
Holder Material	PC		
Fastening	Screw		
Status	Ready		

**NOTE: The typical divergence will be changed by different color, chip size and chip position tolerance. The typical total divergence is the full angle measured where the luminous intensity is half of the peak value.**



## PRODUCT DATASHEET

### Lena series

last update 13/6/2013

#### GENERAL INFORMATION

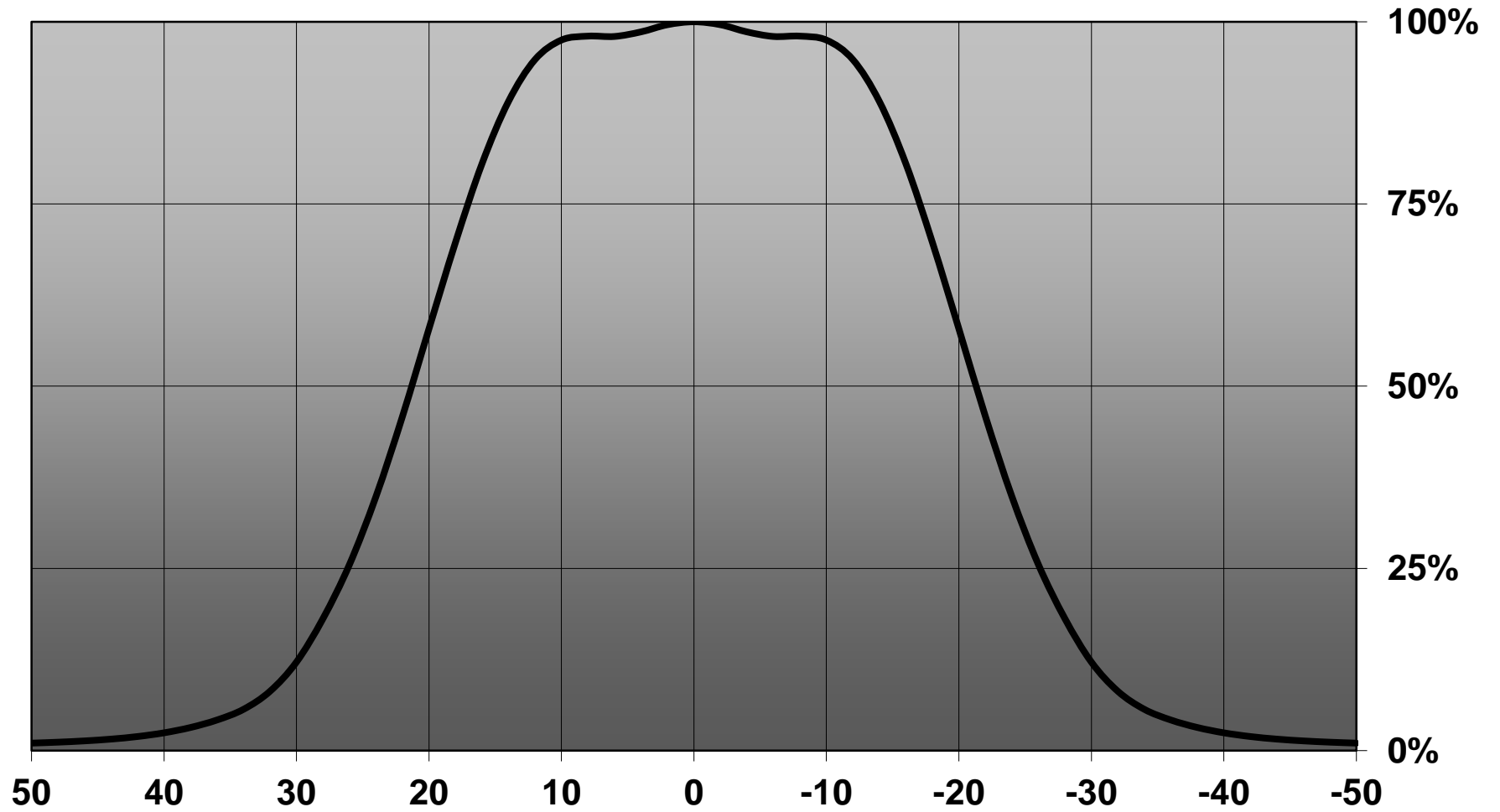
- Product series especially designed & optimized for CXA2011 series of LEDs.
- Special care taken to make light distribution as uniform as possible.
- Lens material optical grade PC with high UV and temperature resistance (120 degrees of Celcius / 248 degrees of Fahrenheit). Allows use of high current and temperature conditions.

Please find more information about used materials from below:

[http://ledil.fi/sites/default/files/Documents/Technical/Material/PC%20Makrolon%202400\\_2407\\_2456\\_2458-UL.pdf](http://ledil.fi/sites/default/files/Documents/Technical/Material/PC%20Makrolon%202400_2407_2456_2458-UL.pdf)

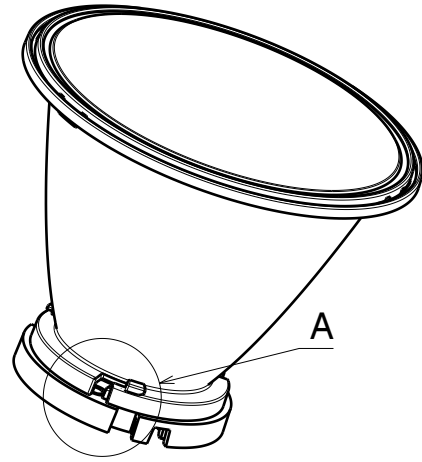
- Reflector is made of aluminium coated PC (120 degrees of Celcius / 248 degrees of Fahrenheit) with protective lacquer (110 degrees of Celcius / 230 degrees of Fahrenheit).
- Optic holder molded by high quality PC material (120 dergees of Celcius / 248 degrees of Fahrenheit).

Relative intensity of CA12109\_Lena-W-Diffuser-Lens\_CXA20

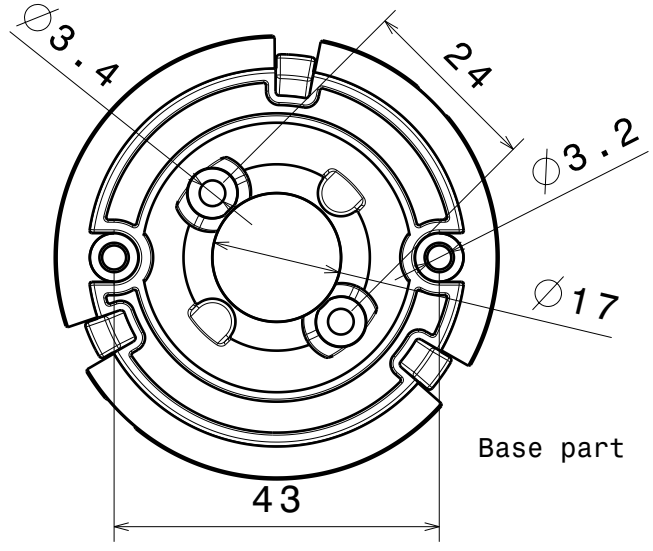


D C B A

4

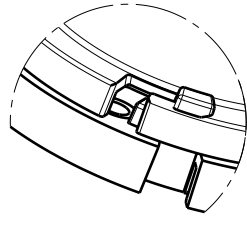


Isometric view



Base part

3

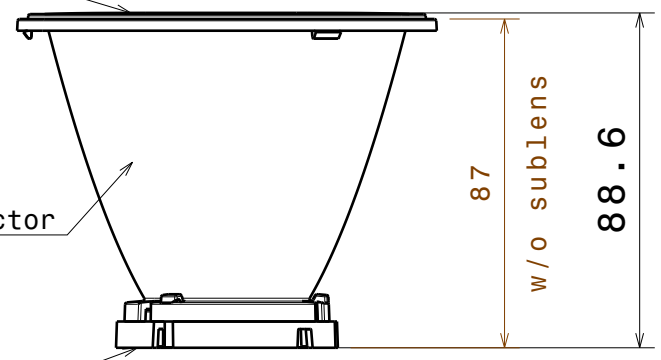


Detail A  
Scale: 1:1

Lena sublens

Lena reflector

Lena-STD-base CXA20



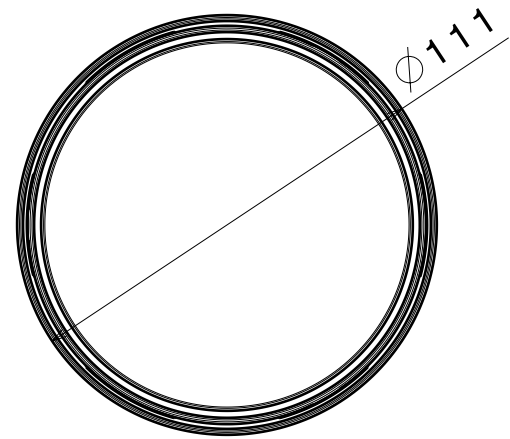
2

Material:

subLens  
- PMMA

Reflector  
- PC  
- Metal coating and clear lacquer

Holder base  
- PC  
- Color white



4

3

2

This drawing is our property.  
It can't be reproduced  
or communicated without  
our written agreement.



L  
T  
F  
F

e  
e  
i  
i  
n  
n

d

DRAWING TITLE

Datasheet Lena-CXA20 series Assy

1

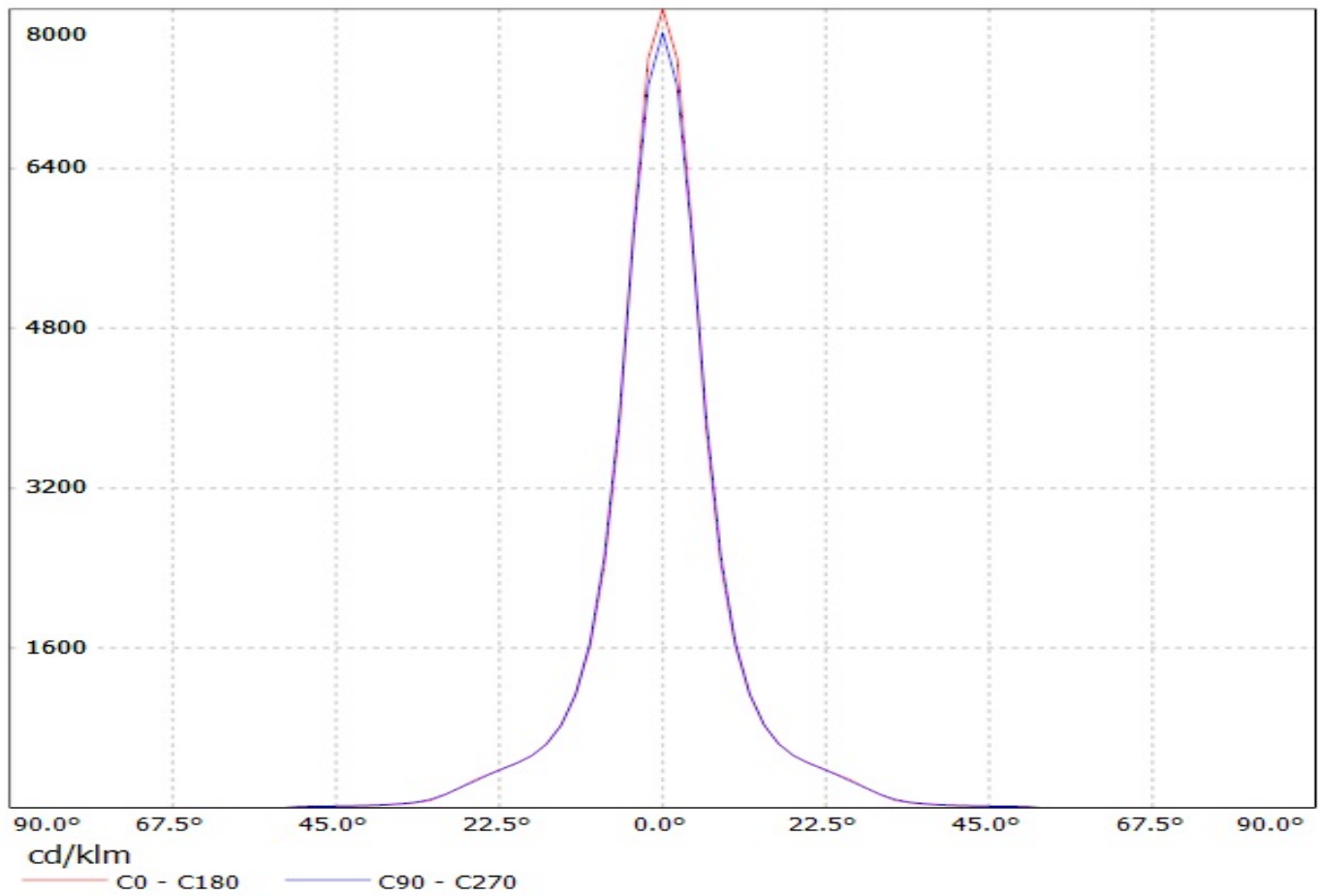
DRAWN BY p	DATE 26.05.2011	DRAWING TITLE Datasheet Lena-CXA20 series Assy			
CHECKED BY p	DATE 26.05.2011	SIZE A4	DRAWING NUMBER		REV 1
DESIGNED BY pl	DATE 11.02.2011	SCALE 1:2	WEIGHT (g)	SHEET 1/1	

1

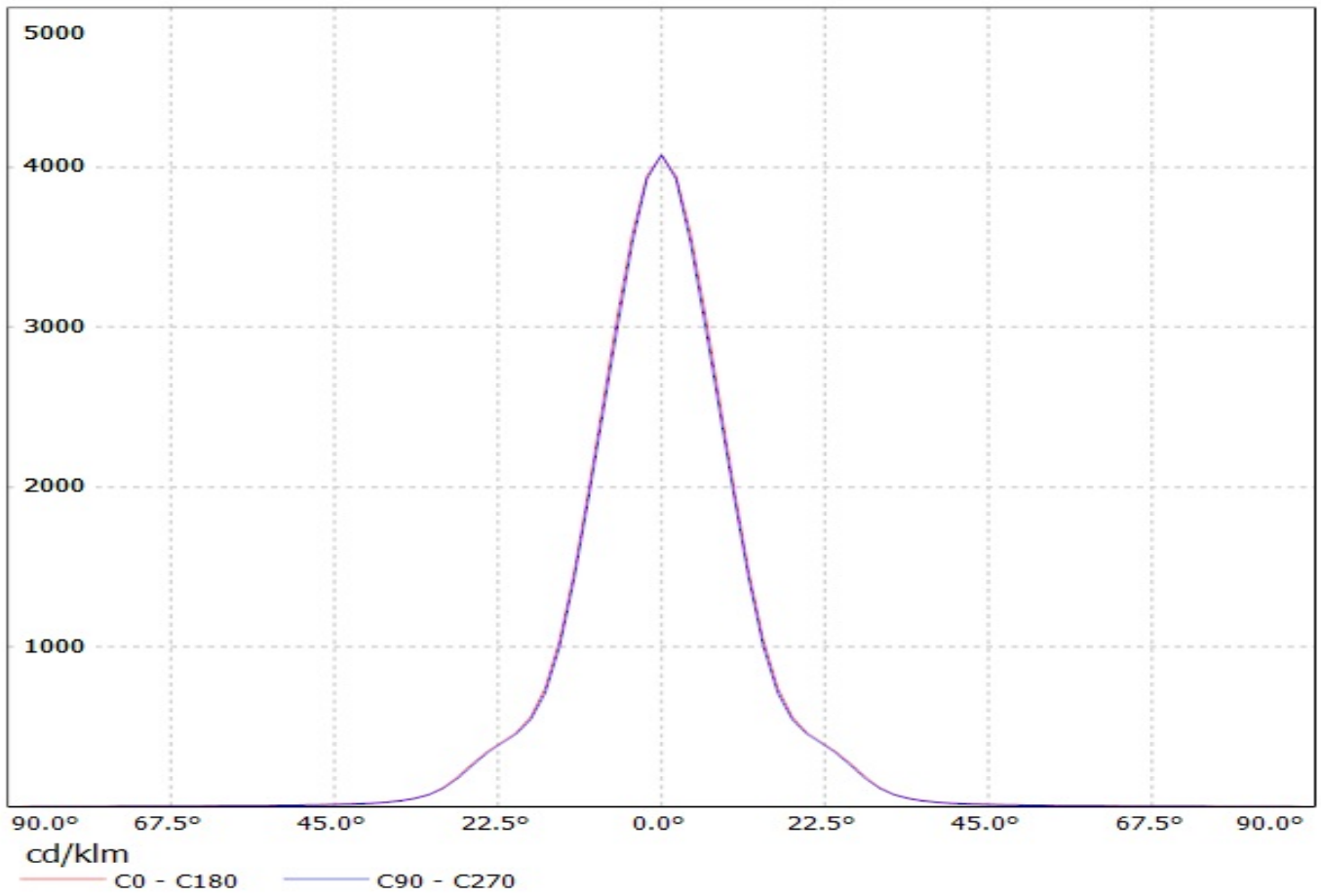
D

A

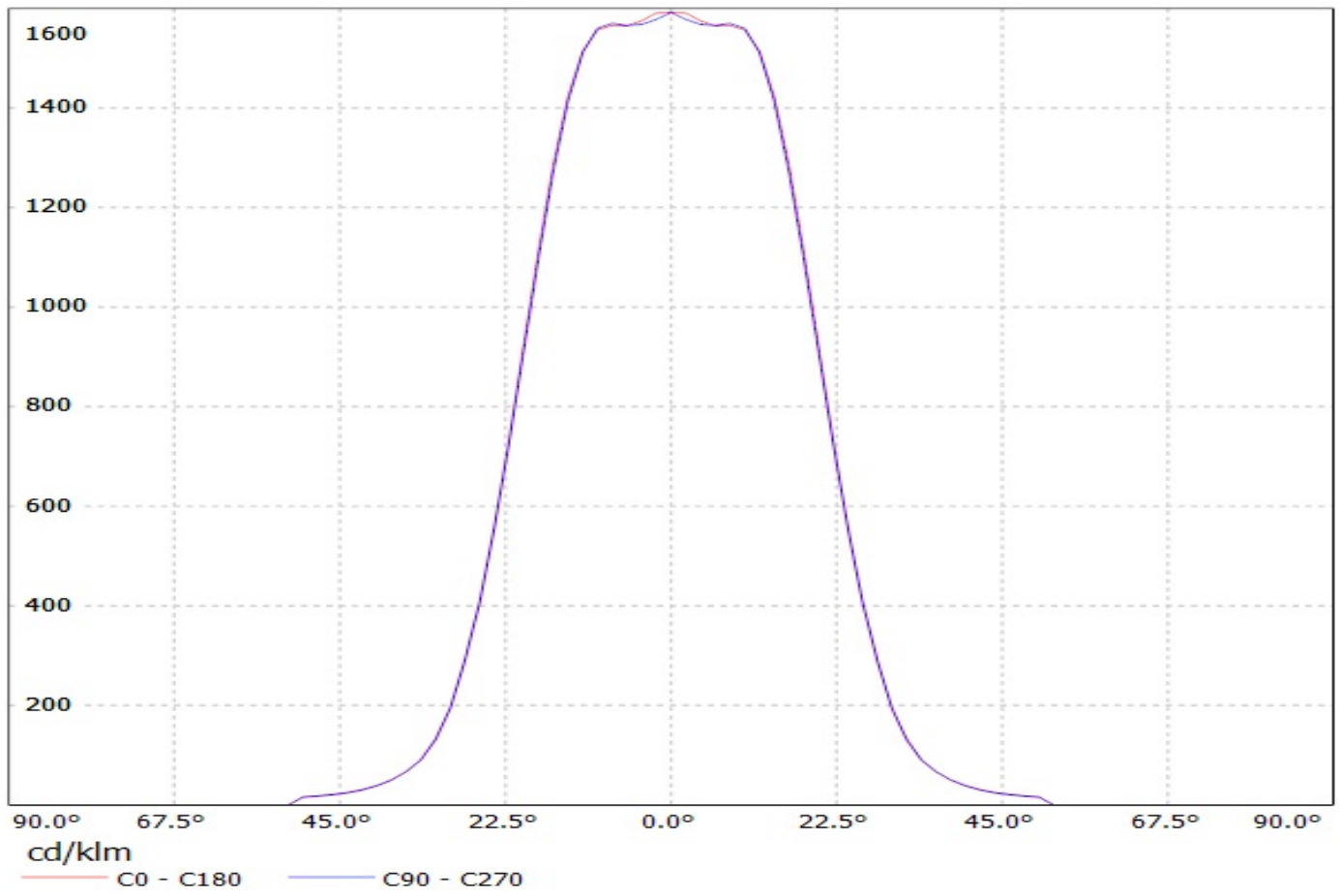
Luminaire: Ledil Oy CA12107\_Lena-S-Diffuser-Lens\_CXA20 CA12107\_Lena-S-Diffuser-Lens\_CXA20  
Lamps: 1 x Cree-CXA20



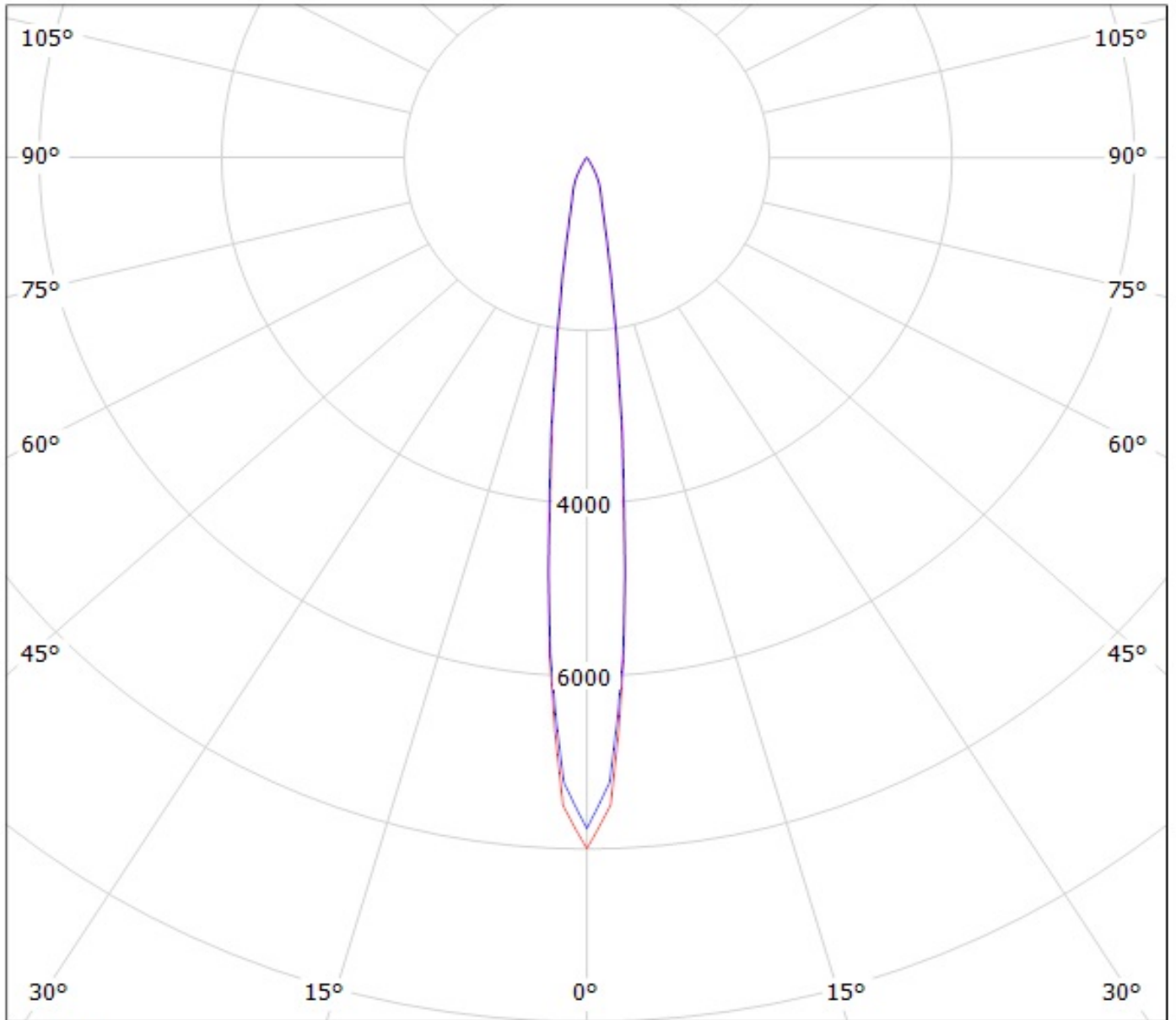
Luminaire: Ledil Oy CA12167\_Lena-M-Diffuser-Lens\_CXA20 CA12167\_Lena-M-Diffuser-Lens\_CXA20  
Lamps: 1 x Cree CXA20 250mA 819lm



Luminaire: Ledil Oy CA12109\_Lena-W-Diffuser-Lens\_CXA20 CA12109\_Lena-W-Diffuser-Lens\_CXA20  
Lamps: 1 x Cree CXA20



Luminaire: Ledil Oy CA12107\_Lena-S-Diffuser-Lens\_CXA20 CA12107\_Lena-S-Diffuser-Lens\_CXA20  
Lamps: 1 x Cree-CXA20



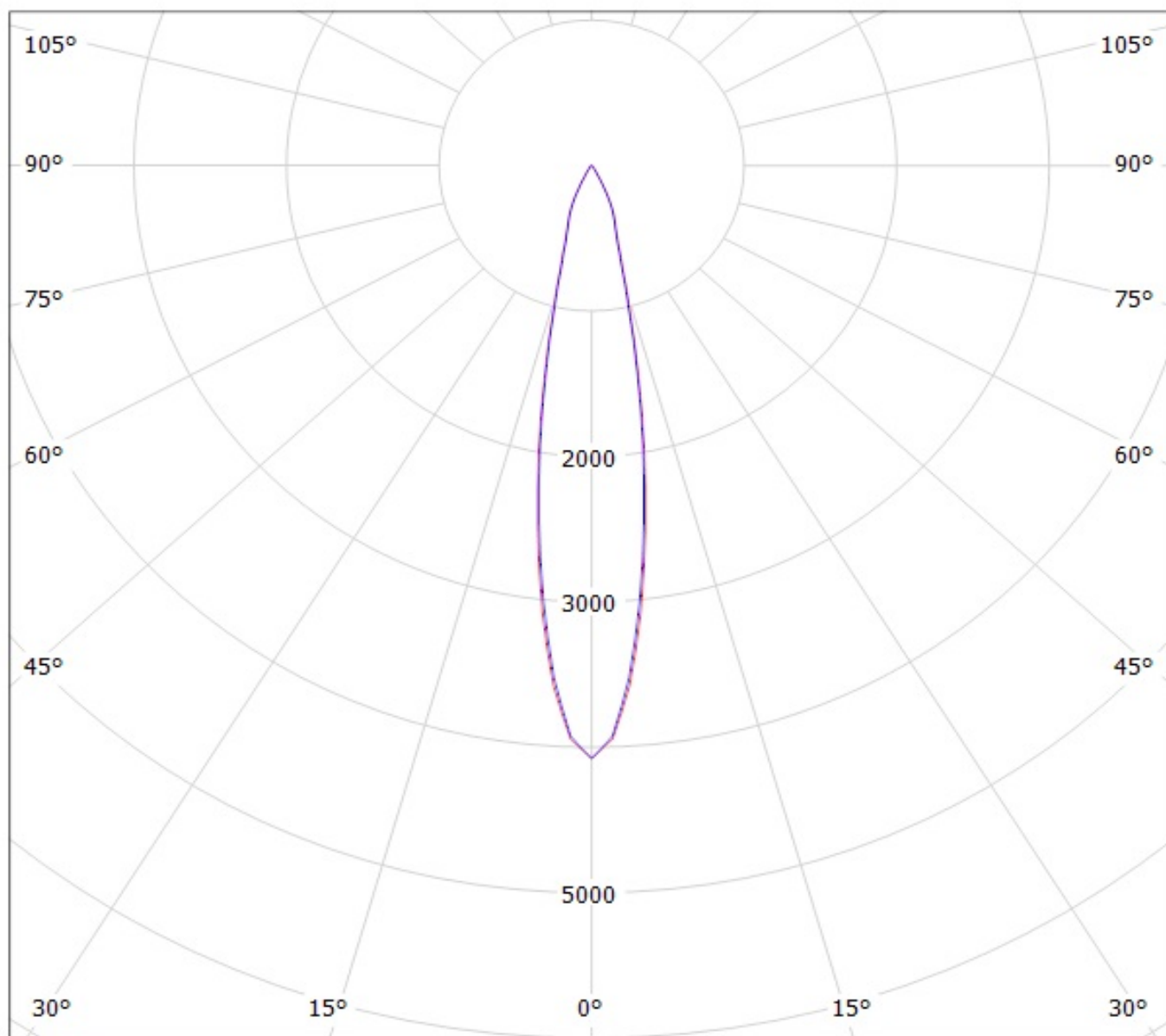
cd/klm

— C0 - C180

— C90 - C270



Luminaire: Ledil Oy CA12167\_Lena-M-Diffuser-Lens\_CXA20 CA12167\_Lena-M-Diffuser-Lens\_CXA20  
Lamps: 1 x Cree CXA20 250mA 819lm

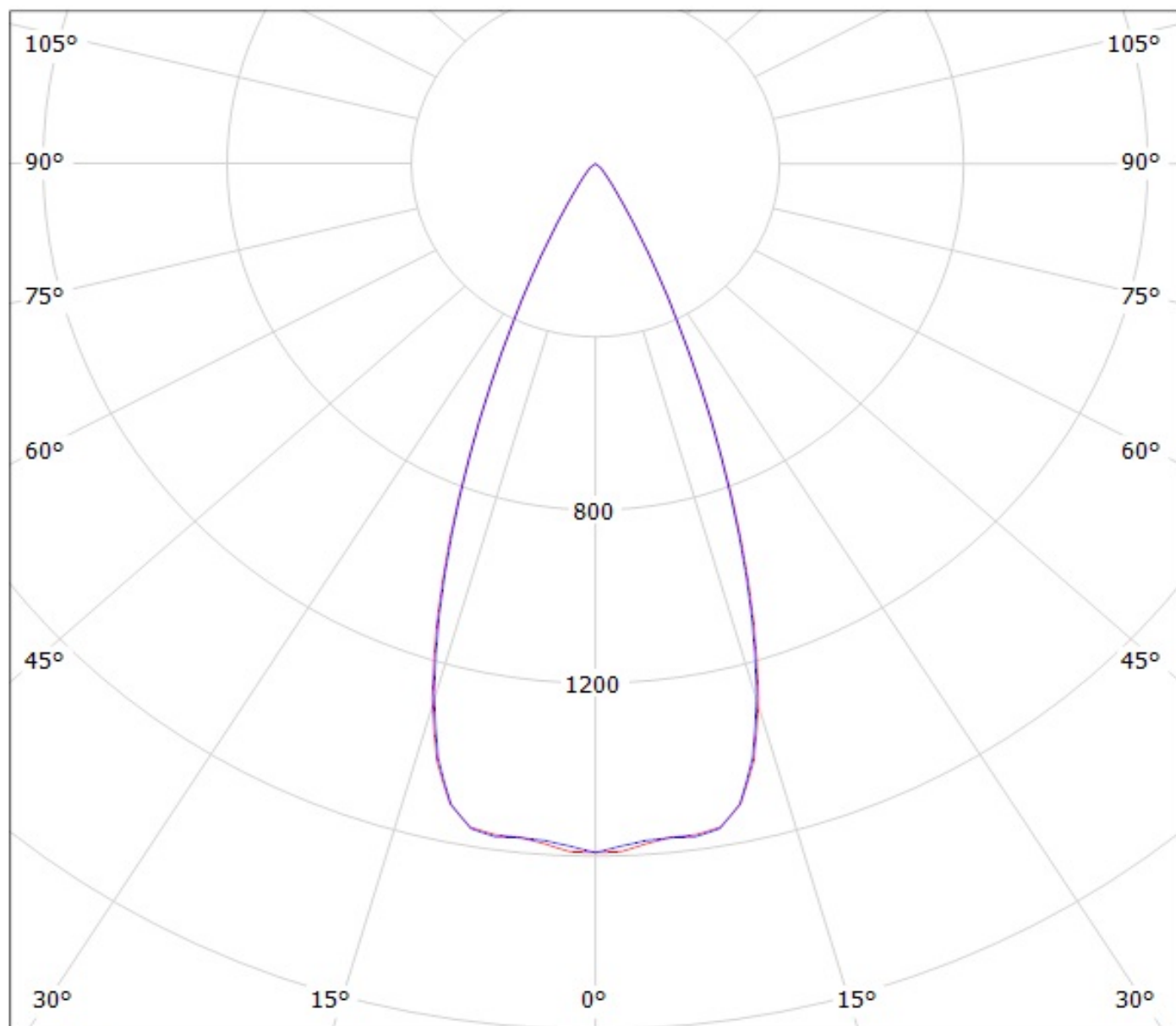


cd/klm

— C0 - C180

— C90 - C270

Luminaire: Ledil Oy CA12109\_Lena-W-Diffuser-Lens\_CXA20 CA12109\_Lena-W-Diffuser-Lens\_CXA20  
Lamps: 1 x Cree CXA20



cd/klm

— C0 - C180

— C90 - C270