


**Ordering number CA12376\_TINA2-SS**

Family	Tina2	FWHM	(simulated) 26
Type	Assembly	Efficiency	(simulated) 91 %
LED	Oslon SSL 80	cd/lm	(simulated) 3.920
Color	Black	Gerber File	Available
Diameter	16 mm		
Height	9.26 mm		
Style	Round		
Optic Material	PMMA		
Holder Material	PC		
Fastening	Pin, tape		
Status	On production		


**Ordering number CP12687\_TINA2-RS**

Family	Tina2	FWHM	9 degrees
Type	Assembly	Efficiency	88 %
LED	Oslon SSL 80	cd/lm	16.000
Color	Black	Gerber File	Available
Diameter	16.1 mm		
Height	9.5 mm		
Style	Round		
Optic Material	PMMA		
Holder Material	PC		
Fastening	Glue		
Status	On production		


**Ordering number CA12374\_TINA2-RS**

Family	Tina2	FWHM	10 degrees
Type	Assembly	Efficiency	88 %
LED	Oslon SSL 80	cd/lm	16.000
Color	Black	Gerber File	Available
Diameter	16 mm		
Height	9.5 mm		
Style	Round		
Optic Material	PMMA		
Holder Material	PC		
Fastening	Pin, tape		
Status	On production		


**Ordering number CP12688\_TINA2-D**

Family	Tina2	FWHM	11 degrees
Type	Assembly	Efficiency	87 %
LED	Oslon SSL 80	cd/lm	10.000
Color	Black	Gerber File	Available
Diameter	16.1 mm		
Height	9.5 mm		
Style	Round		
Optic Material	PMMA		
Holder Material	PC		
Fastening	Glue		
Status	On production		


**Ordering number CA12375\_TINA2-D**

Family	Tina2	FWHM	12 degrees
Type	Assembly	Efficiency	87 %
LED	Oslon SSL 80	cd/lm	7.855
Color	Black	Gerber File	Available
Diameter	16 mm		
Height	9.5 mm		
Style	Round		
Optic Material	PMMA		
Holder Material	PC		
Fastening	Pin, tape		
Status	On production		


**Ordering number CA12379\_TINA2-O**

Family	Tina2	FWHM	12+35 degrees
Type	Assembly	Efficiency	86 %
LED	Oslon SSL 80	cd/lm	3.800
Color	Black	Gerber File	Available
Diameter	16 mm		
Height	9.5 mm		
Style	Round		
Optic Material	PMMA		
Holder Material	PC		
Fastening	Pin, tape		
Status	On production		


**Ordering number CA12377\_TINA2-M**

Family	Tina2	FWHM	31 degrees
Type	Assembly	Efficiency	84 %
LED	Oslon SSL 80	cd/lm	2.280
Color	Black	Gerber File	Available
Diameter	16 mm		
Height	9.5 mm		
Style	Round		
Optic Material	PMMA		
Holder Material	PC		
Fastening	Pin, tape		
Status	On production		


**Ordering number CP12690\_TINA2-M**

Family	Tina2	FWHM	31 degrees
Type	Assembly	Efficiency	84 %
LED	Oslon SSL 80	cd/lm	2.600
Color	Black	Gerber File	Available
Diameter	16.1 mm		
Height	9.5 mm		
Style	Round		
Optic Material	PMMA		
Holder Material	PC		
Fastening	Glue		
Status	On production		


**Ordering number CP12689\_TINA2-O**

Family	Tina2	FWHM	35+13 degrees
Type	Assembly	Efficiency	86 %
LED	Oslon SSL 80	cd/lm	3.700
Color	Black	Gerber File	Available
Diameter	16.1 mm		
Height	9.5 mm		
Style	Round		
Optic Material	PMMA		
Holder Material	PC		
Fastening	Glue		
Status	On production		

**Ordering number CA12378\_TINA2-W**

Family	Tina2	FWHM	49 degrees
Type	Assembly	Efficiency	86 %
LED	Oslon SSL 80	cd/lm	1.300
Color	Black	Gerber File	Available
Diameter	16 mm		
Height	9.5 mm		
Style	Round		
Optic Material	PMMA		
Holder Material	PC		
Fastening	Pin, tape		
Status	On production		

**NOTE: The typical divergence will be changed by different color, chip size and chip position tolerance. The typical total divergence is the full angle measured where the luminous intensity is half of the peak value.**

**GENERAL INFORMATION**

- Product series especially designed & optimized for Oslon SSL 80 series of LEDs.
- Special care taken to make light distribution as uniform as possible.
- Lens material optical grade PMMA with high UV and temperature resistance. Allows use of high current and temperature conditions.

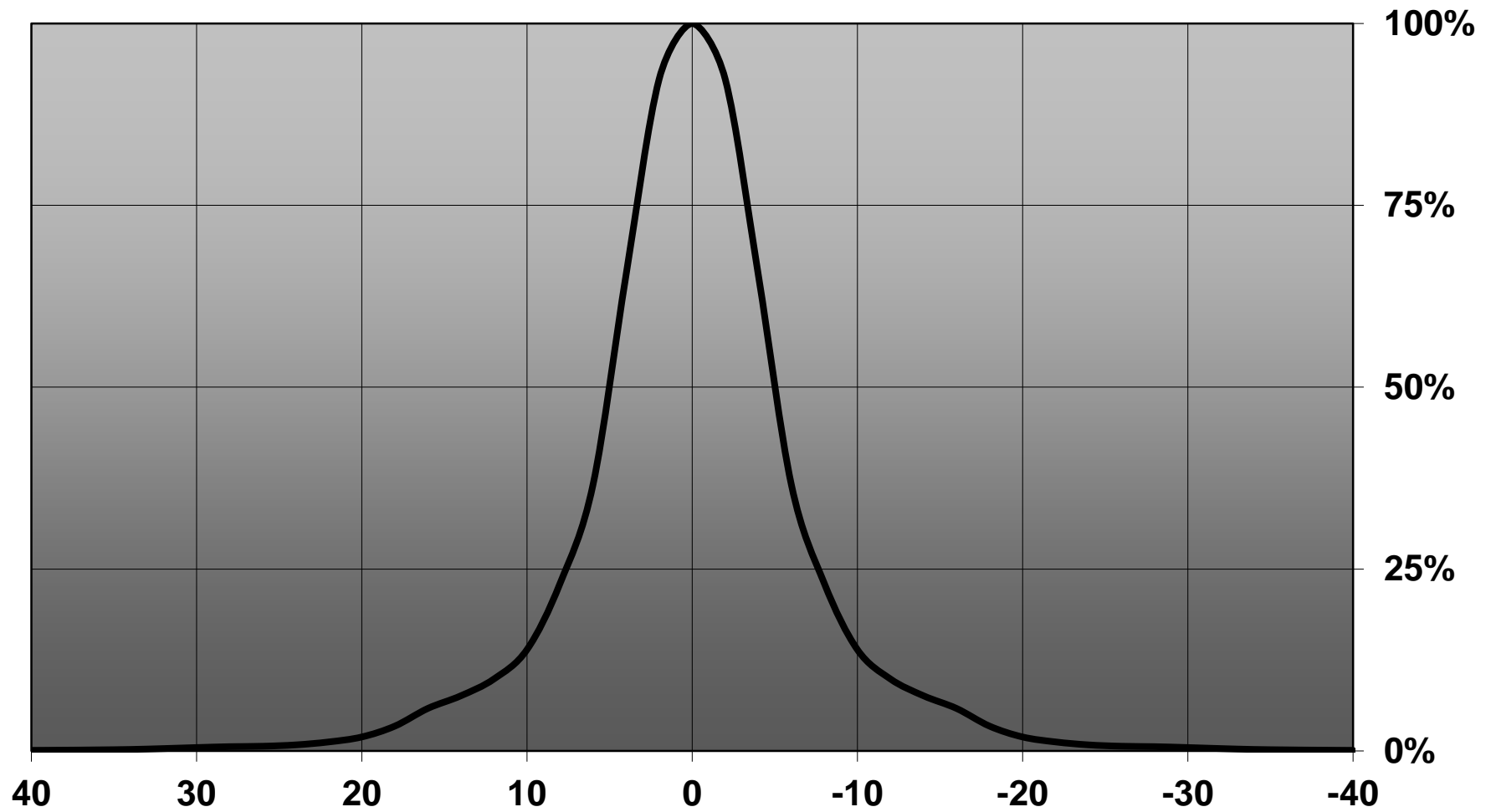
Please find more information about used material from below:

[http://ledil.fi/sites/default/files/Documents/Technical/Material/PMMA%20N%20UL94\\_Yellow%20Card.pdf](http://ledil.fi/sites/default/files/Documents/Technical/Material/PMMA%20N%20UL94_Yellow%20Card.pdf)

<http://ledil.fi/sites/default/files/Documents/Technical/Material/PMMA%20N%20PLEXIGLAS-Datasheet.pdf>

- Optic holder molded by high quality PC material (120 degrees of Celcius / 248 degrees of Fahrenheit).

Relative intensity of CA12374\_Tina2-RS-OSL80



D

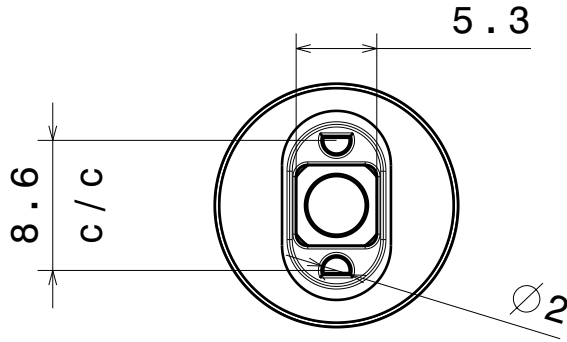
C

B

A

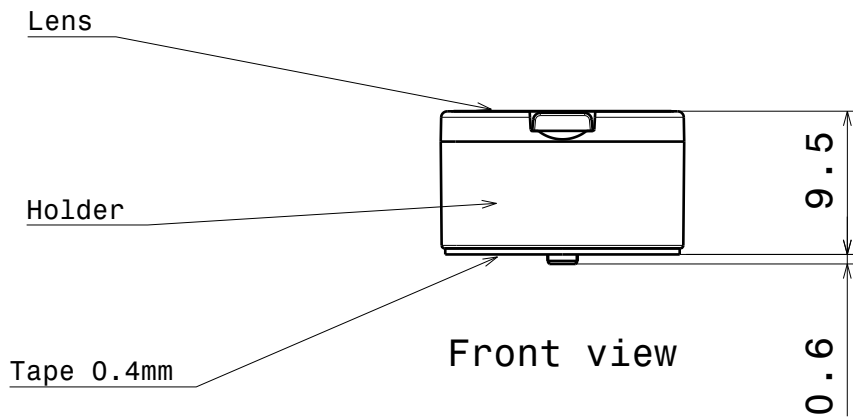
4

4



3

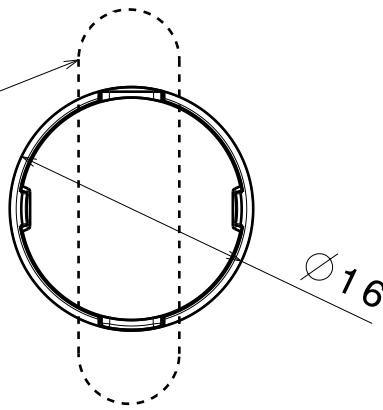
3



2

2

Oval beam direction  
(0-90 is turned 90 degree)



MATERIALS  
 Lens: PMMA  
 Holder: PC  
 Tape: PU Foam

This drawing is our property.  
 It can't be reproduced  
 or communicated without  
 our written agreement.



Ledil Oy  
 Salorankatu 10  
 FIN-24100 SALO  
 Finland

DRAWING TITLE

Datasheet Tina2-OSL

1

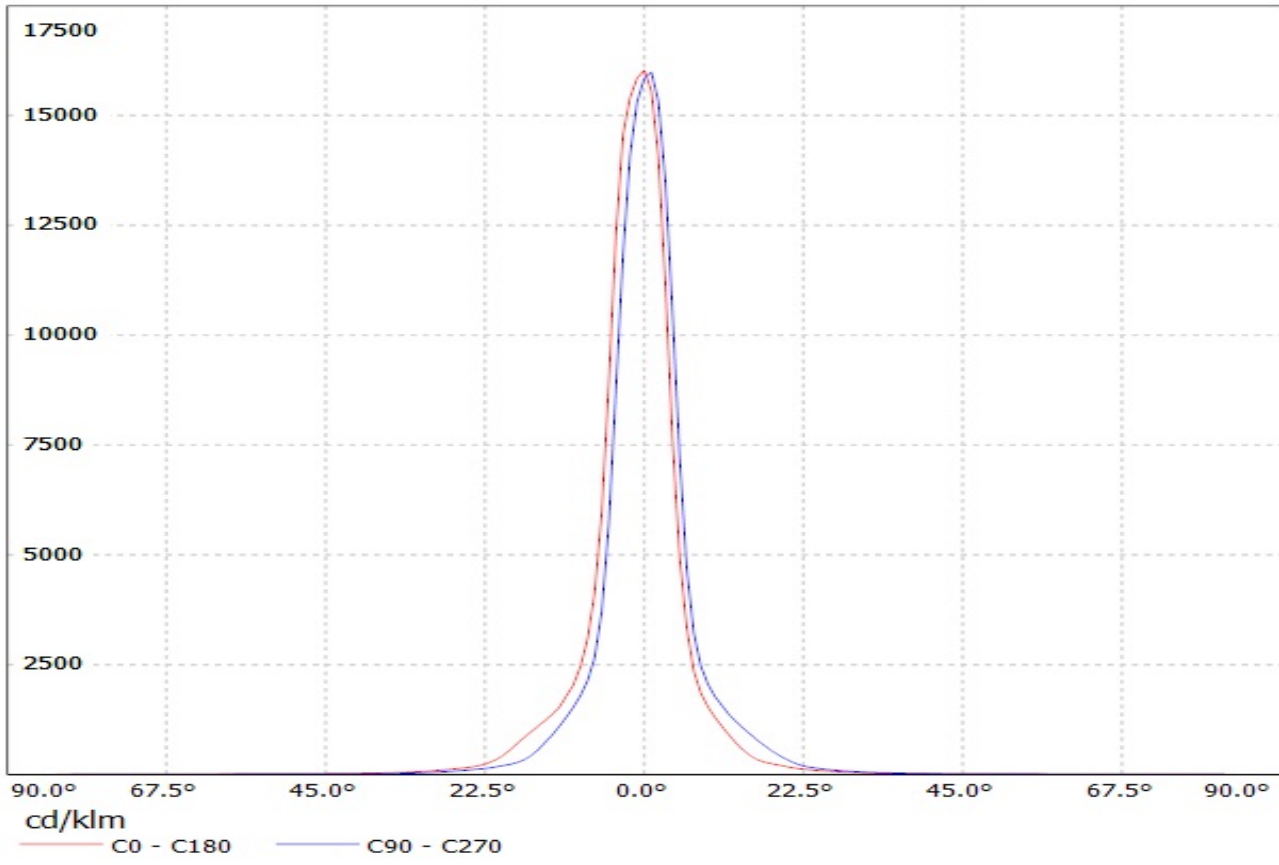
1

DRAWN BY ah	DATE 28.12.2011	DRAWING TITLE Datasheet Tina2-OSL			
CHECKED BY sn	DATE 28.12.2011	SIZE A4	DRAWING NUMBER		REV 1
DESIGNED BY ol	DATE xx	SCALE 3:1	WEIGHT (g)	-	SHEET 1/1

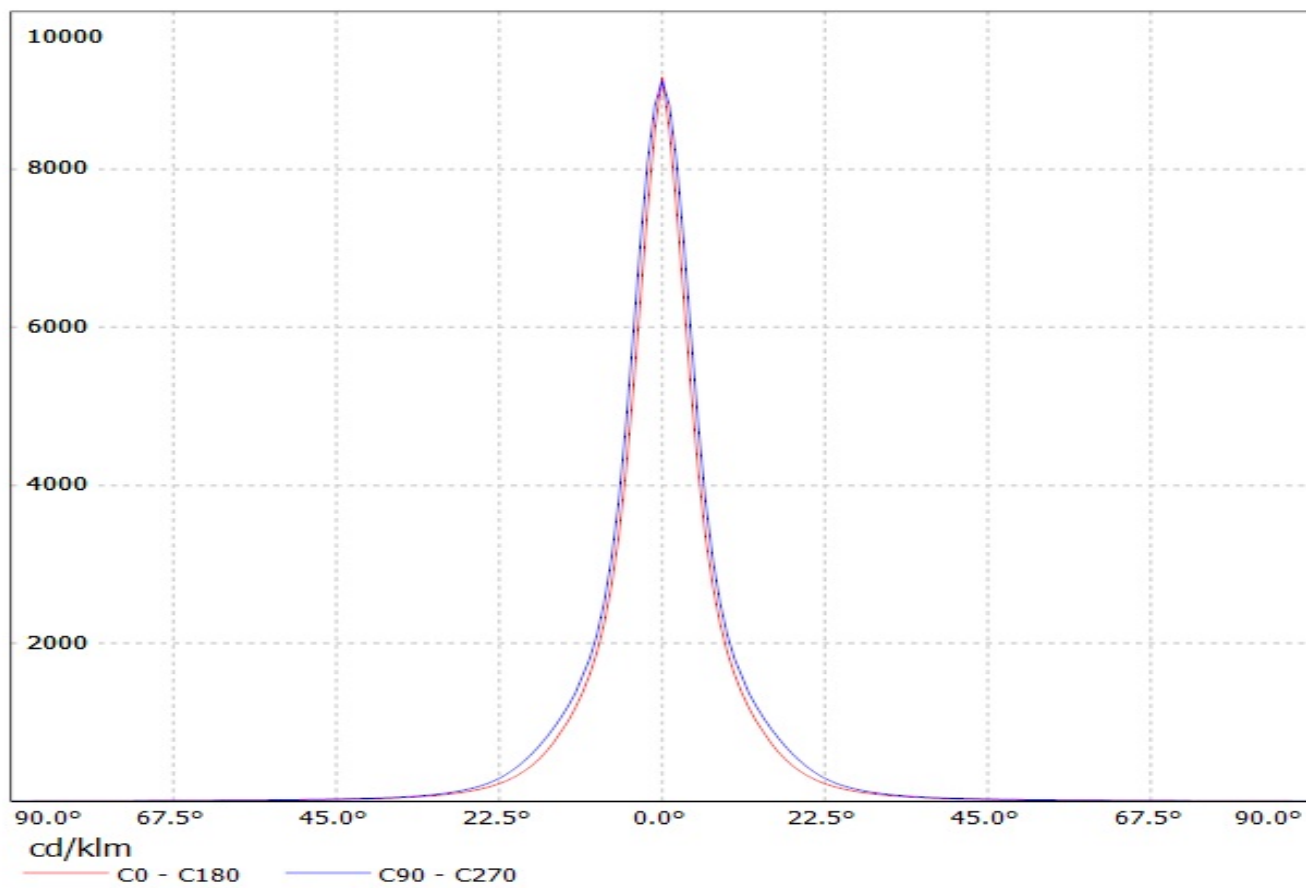
D

A

Luminaire: LEDIL OY CP12687\_TINA2-RS (SSL80) Efficiency=88%  
Lamps: 1 x Osram Oslon SSL 80° (85lm@250mA)



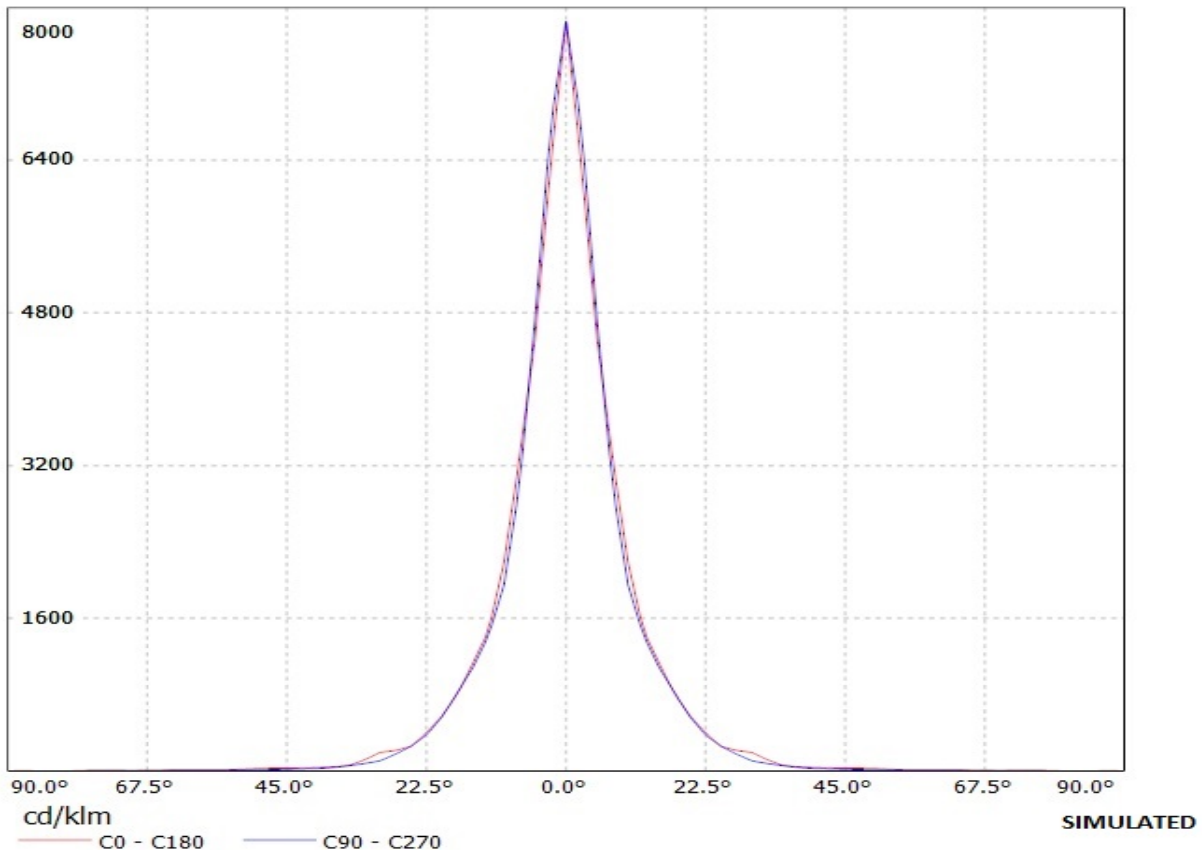
Luminaire: LEDIL OY CP12688\_TINA2-D (SSL80) Efficiency=87%  
Lamps: 1 x Osram Oslon SSL 80° (85lm@250mA)





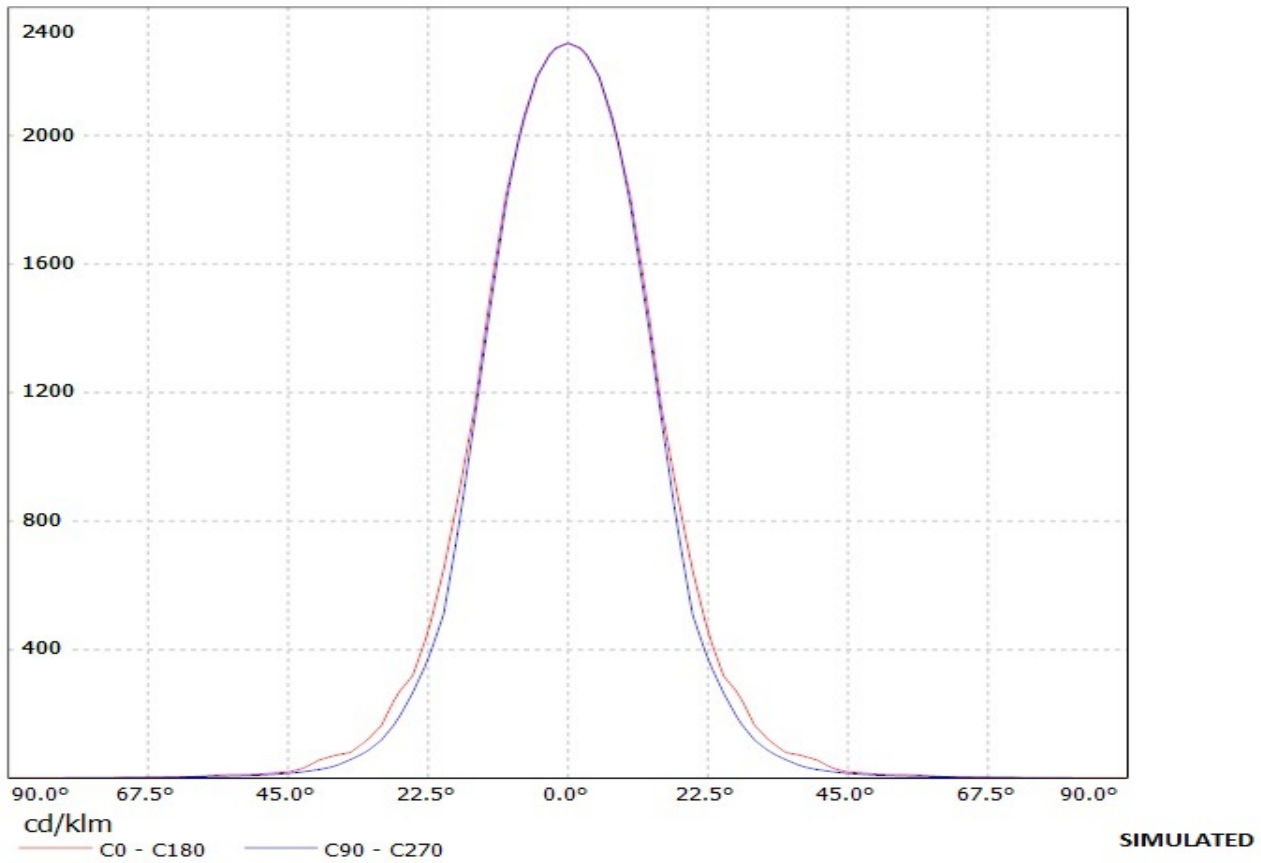
**Ledil Oy CA12375\_Tina2-D-OSL80 LOR=89% / LDC (Linear)**

Luminaire: Ledil Oy CA12375\_Tina2-D-OSL80 LOR=89%  
Lamps: 1 x Osram OSL80 250mA 87lm

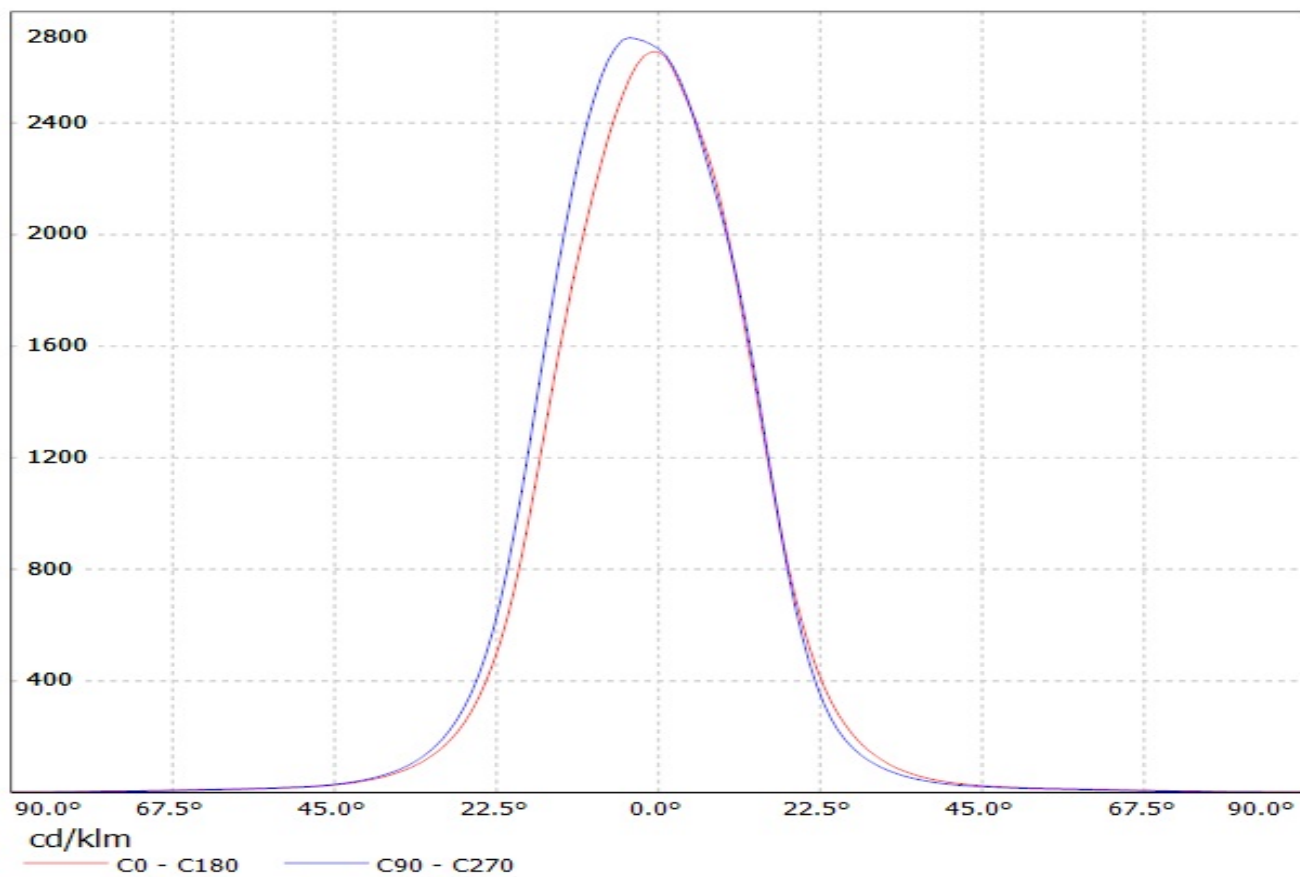


# Ledil Oy CA12377\_Tina2-M-OSL80 LOR=84% / LDC (Linear)

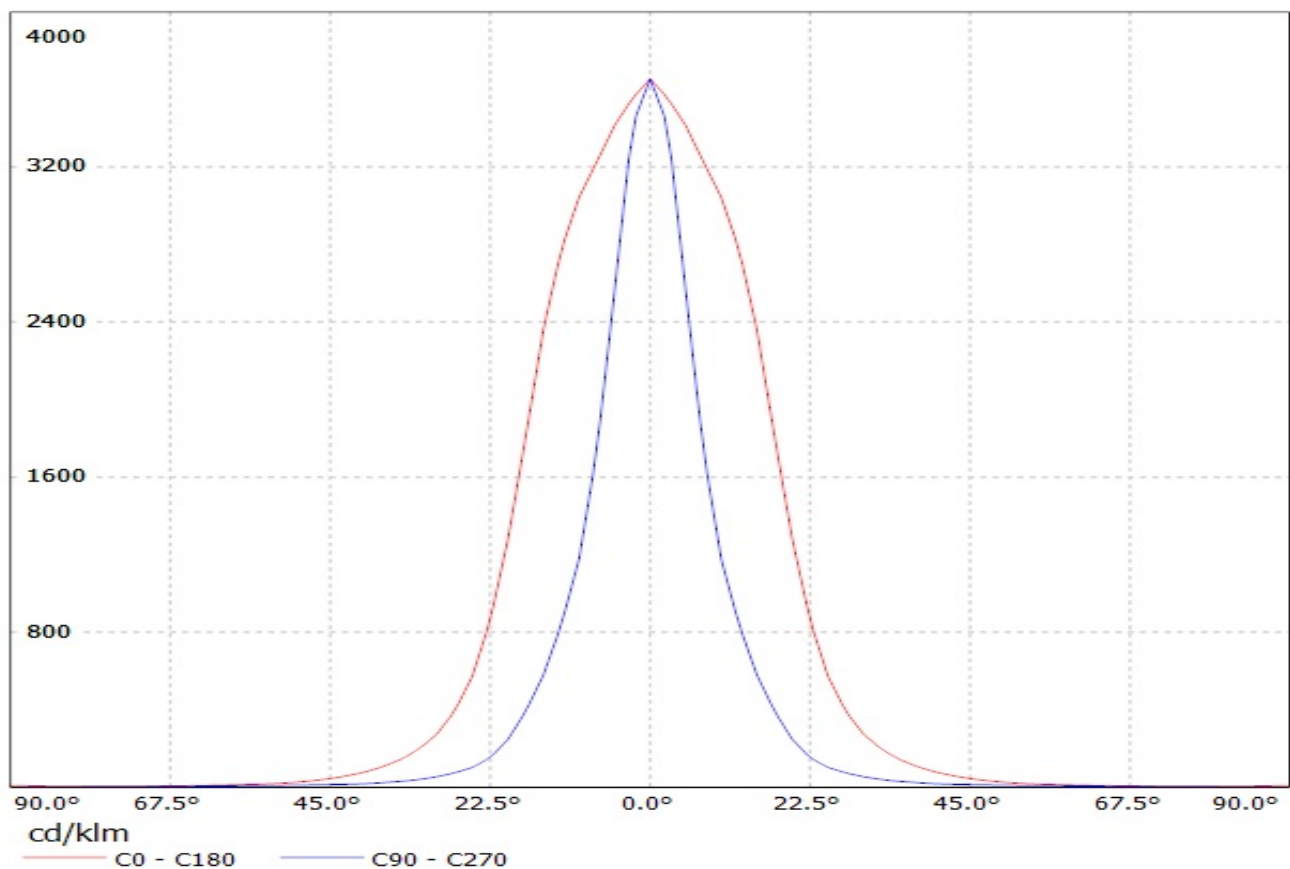
Luminaire: Ledil Oy CA12377\_Tina2-M-OSL80 LOR=84%  
Lamps: 1 x Osram OSL80 250mA 87lm



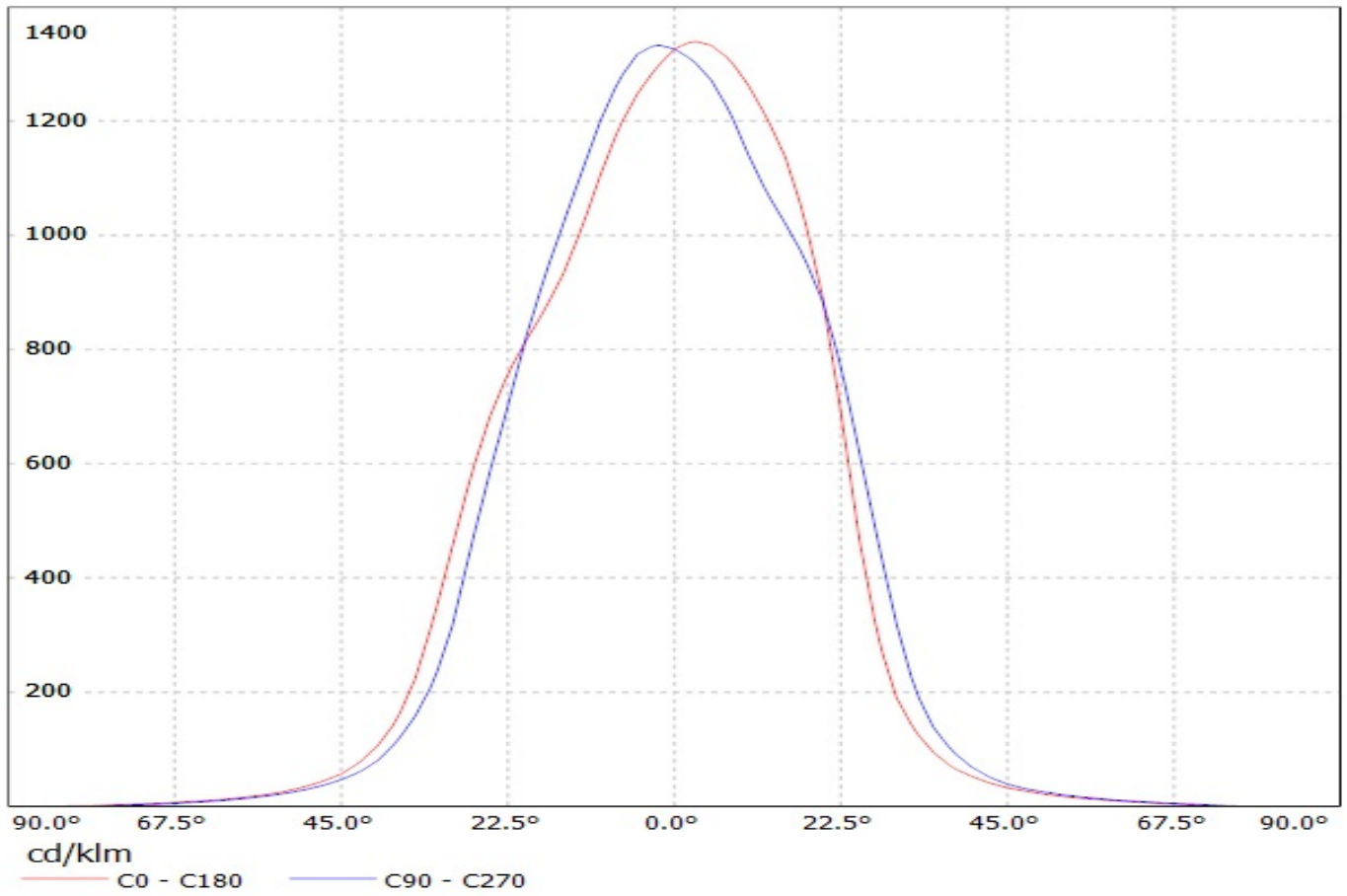
Luminaire: LEDIL OY CP12690\_TINA2-M (SSL80) Efficiency=84%  
Lamps: 1 x Osram Oslon SSL 80° (85lm@250mA)



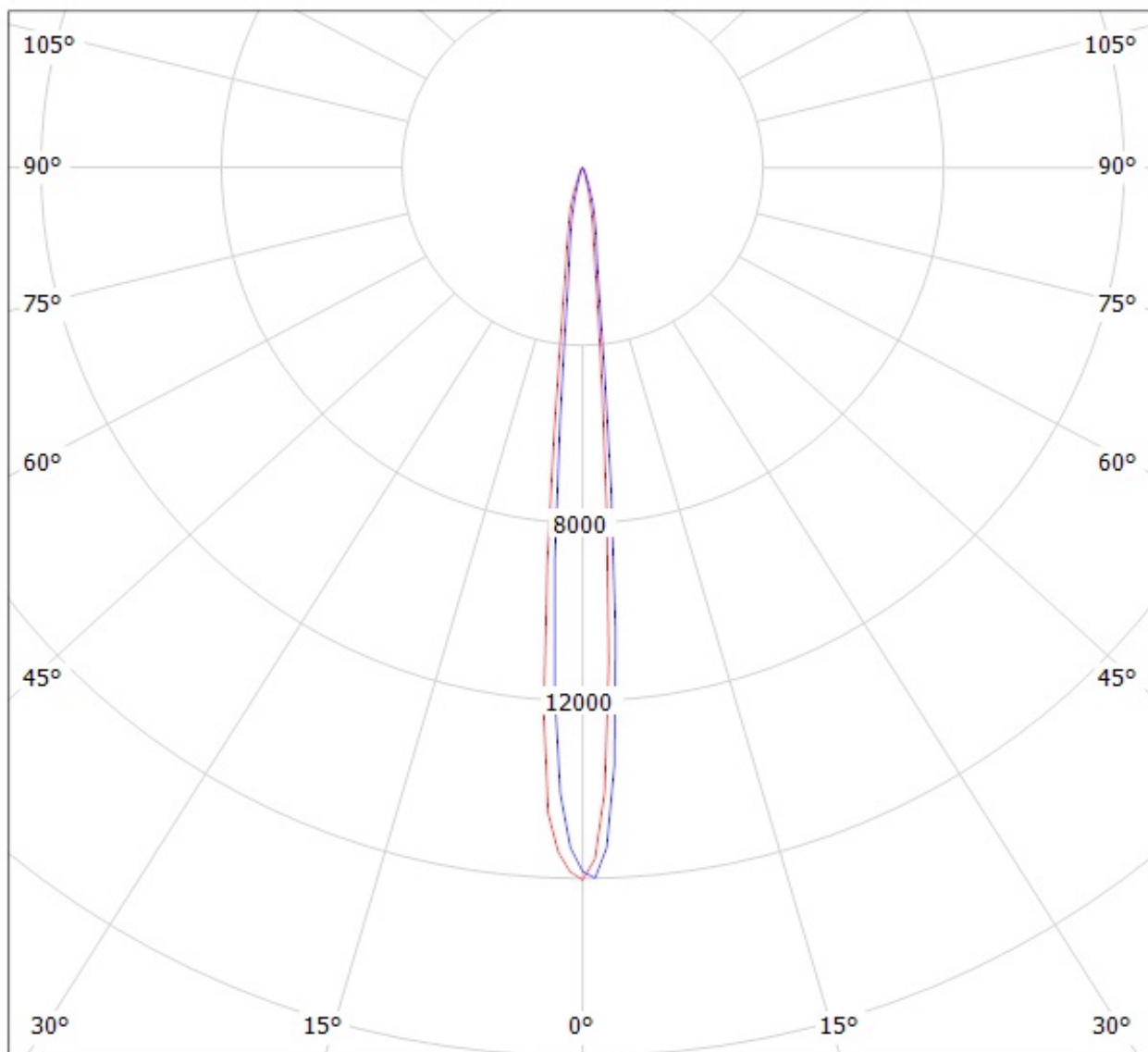
Luminaire: LEDIL OY CP12689\_TINA2-O (SSL80) Efficiency=86%  
Lamps: 1 x Osram Oslon SSL 80° (85lm@250mA)



Luminaire: Ledil Oy CA12378\_TINA2-W (Osram OSlon 80deg 79lm @ 250mA) Efficiency=86%  
Lamps: 1 x Osram OSlon 80deg 79lm @ 250mA CCT=6453K P=0,76W I=250mA



Luminaire: LEDIL OY CP12687\_TINA2-RS (SSL80) Efficiency=88%  
Lamps: 1 x Osram Oslon SSL 80° (85lm@250mA)



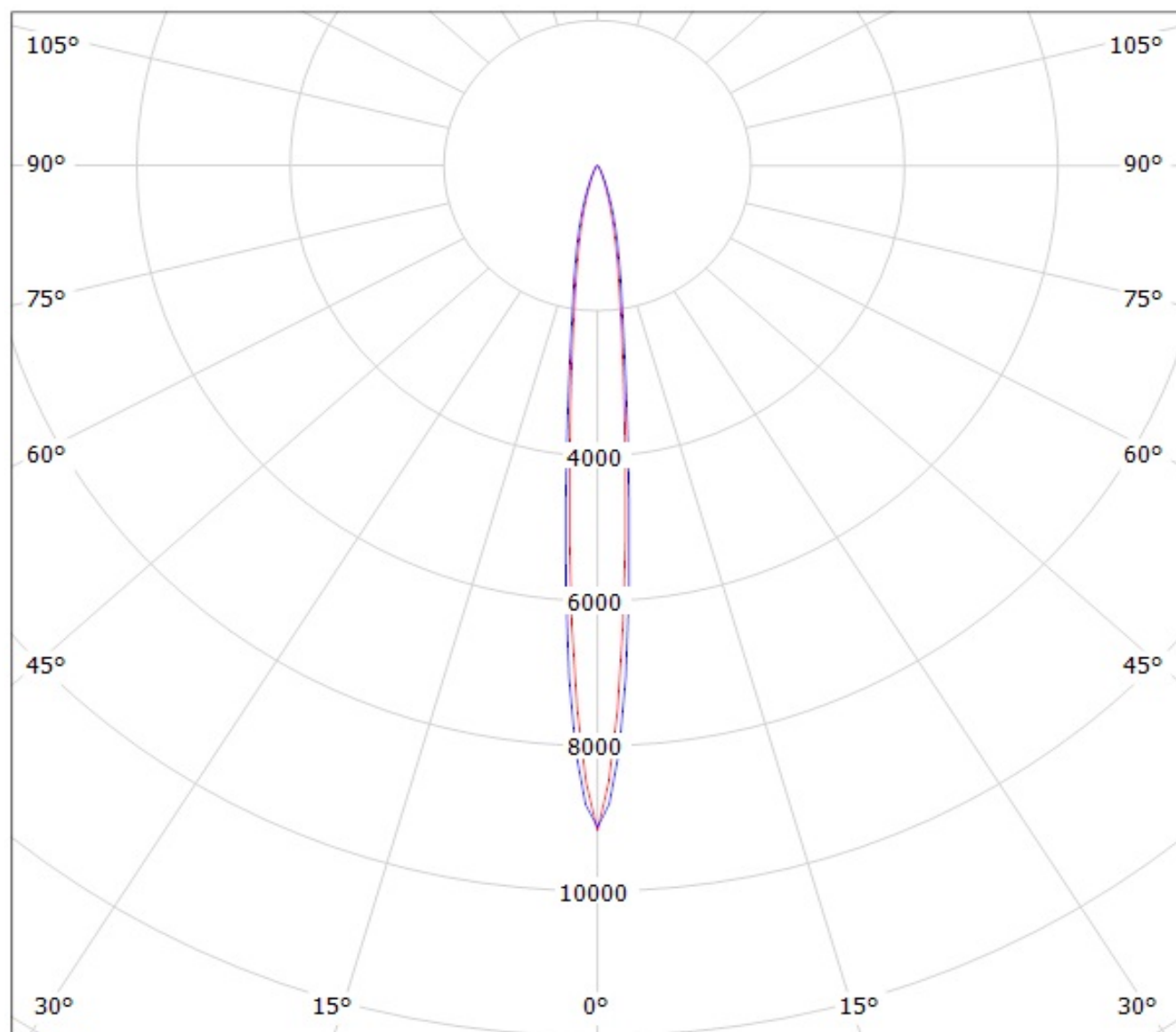
cd/klm

— C0 - C180

— C90 - C270

Luminaire: LEDIL OY CP12688\_TINA2-D (SSL80) Efficiency=87%

Lamps: 1 x Osram Oslon SSL 80° (85lm@250mA)



cd/klm

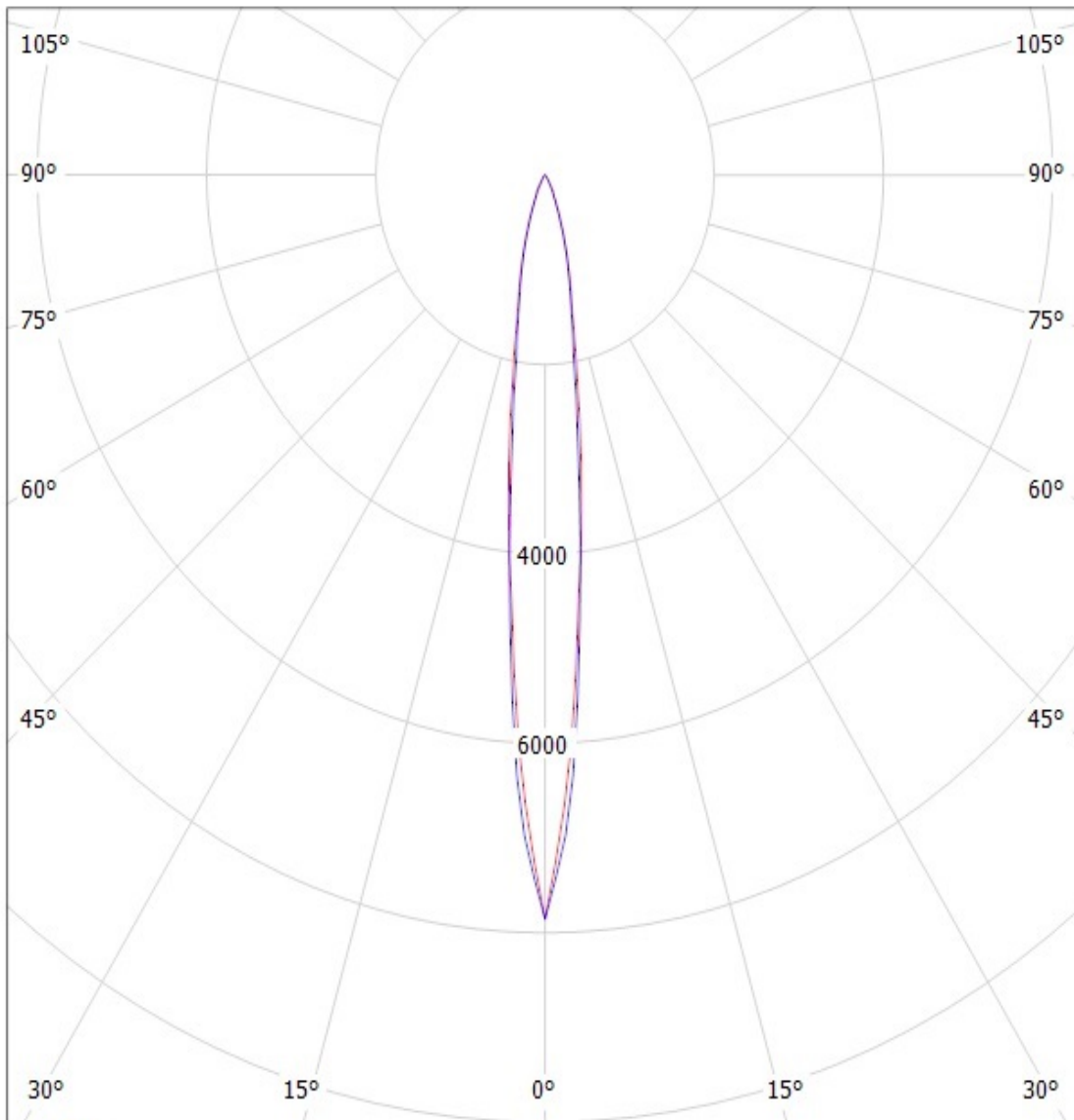
— C0 - C180

— C90 - C270

# Ledil Oy CA12375\_Tina2-D-OSL80 LOR=89% / LDC (Polar)

Luminaire: Ledil Oy CA12375\_Tina2-D-OSL80 LOR=89%

Lamps: 1 x Osram OSL80 250mA 87lm



cd/klm

— C0 - C180

— C90 - C270

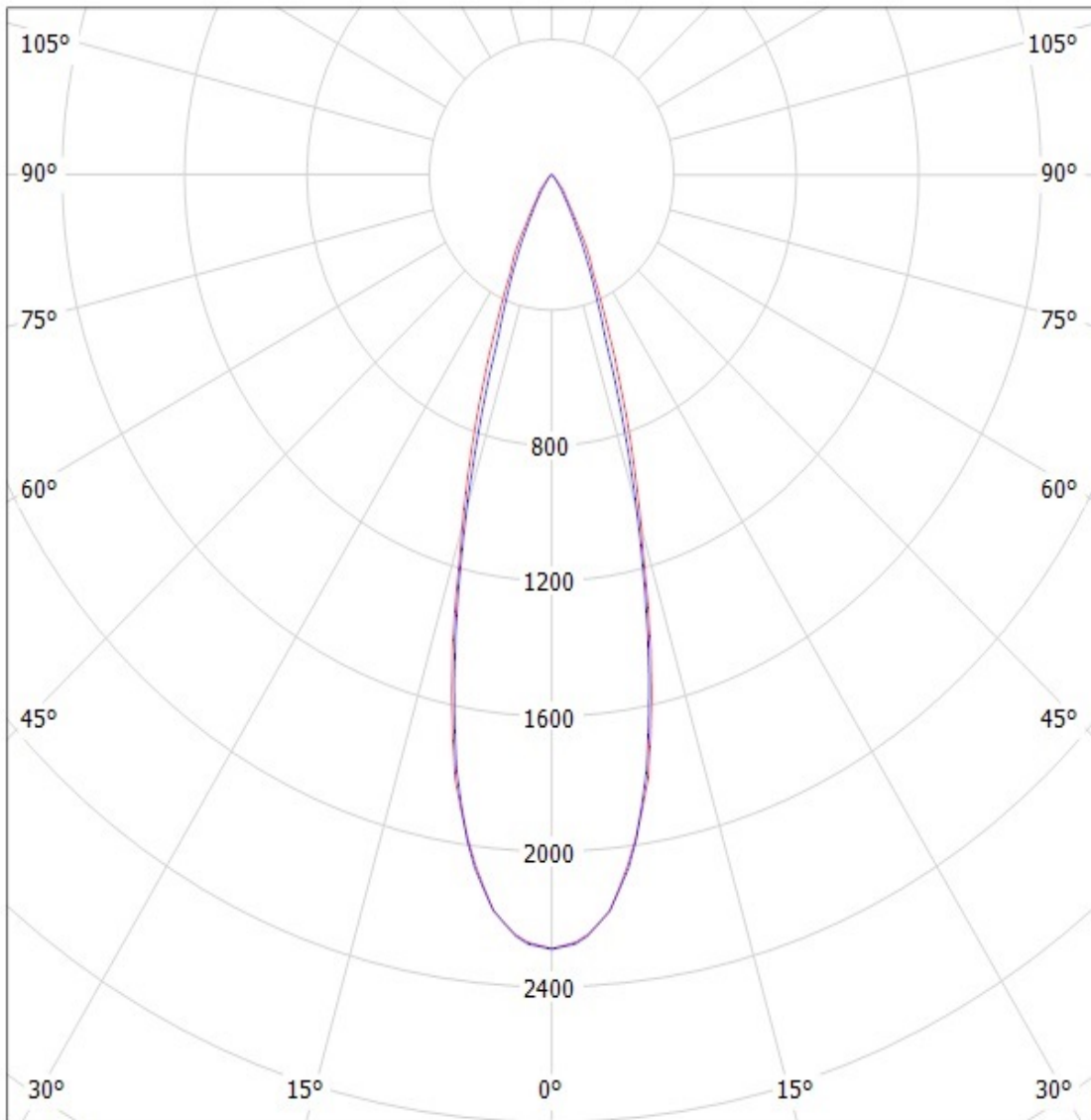
SIMULATED



# Ledil Oy CA12377\_Tina2-M-OSL80 LOR=84% / LDC (Polar)

Luminaire: Ledil Oy CA12377\_Tina2-M-OSL80 LOR=84%

Lamps: 1 x Osram OSL80 250mA 87lm

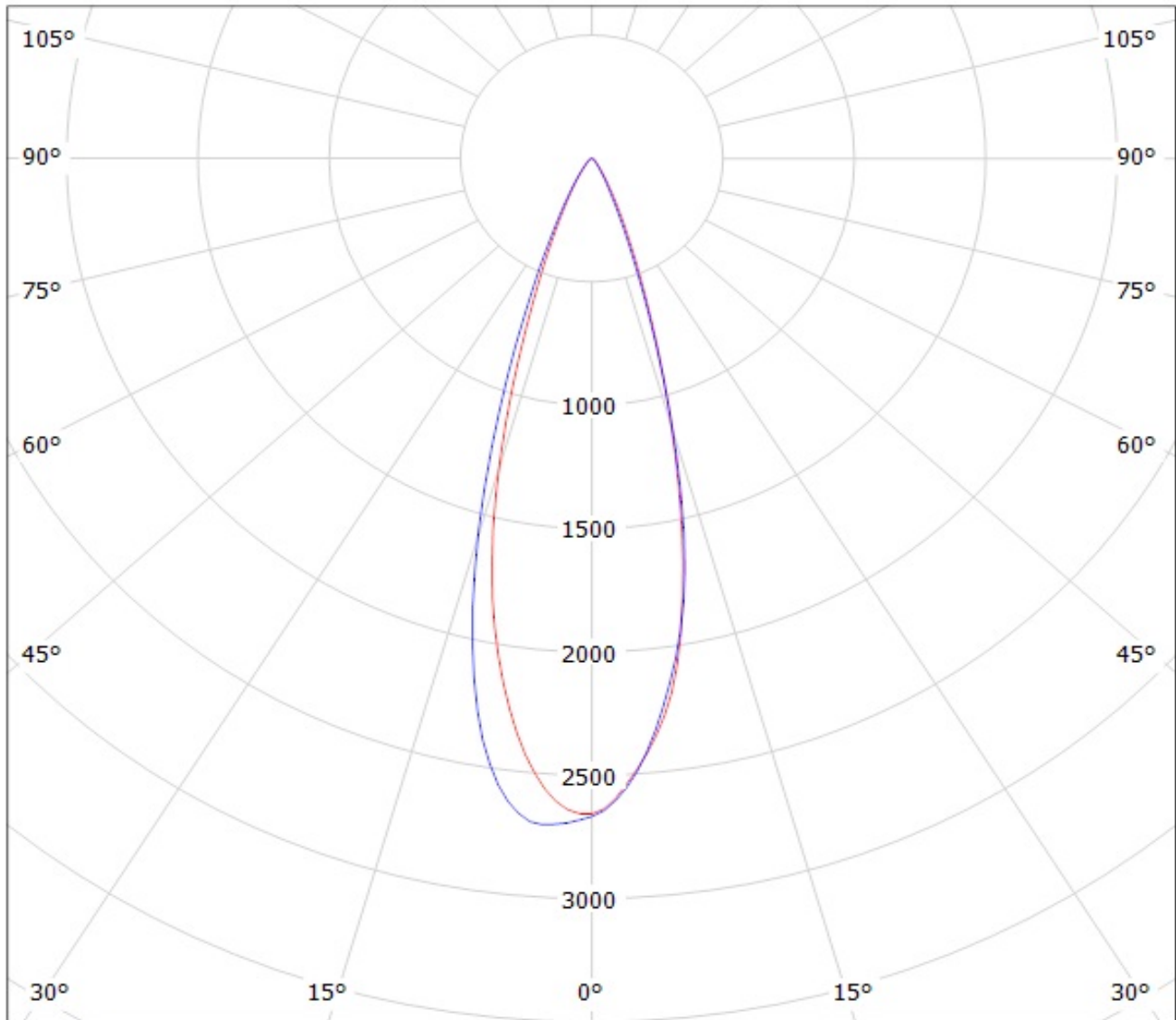


cd/klm

— C0 - C180 — C90 - C270

**SIMULATED**

Luminaire: LEDIL OY CP12690\_TINA2-M (SSL80) Efficiency=84%  
Lamps: 1 x Osram Oslon SSL 80° (85lm@250mA)

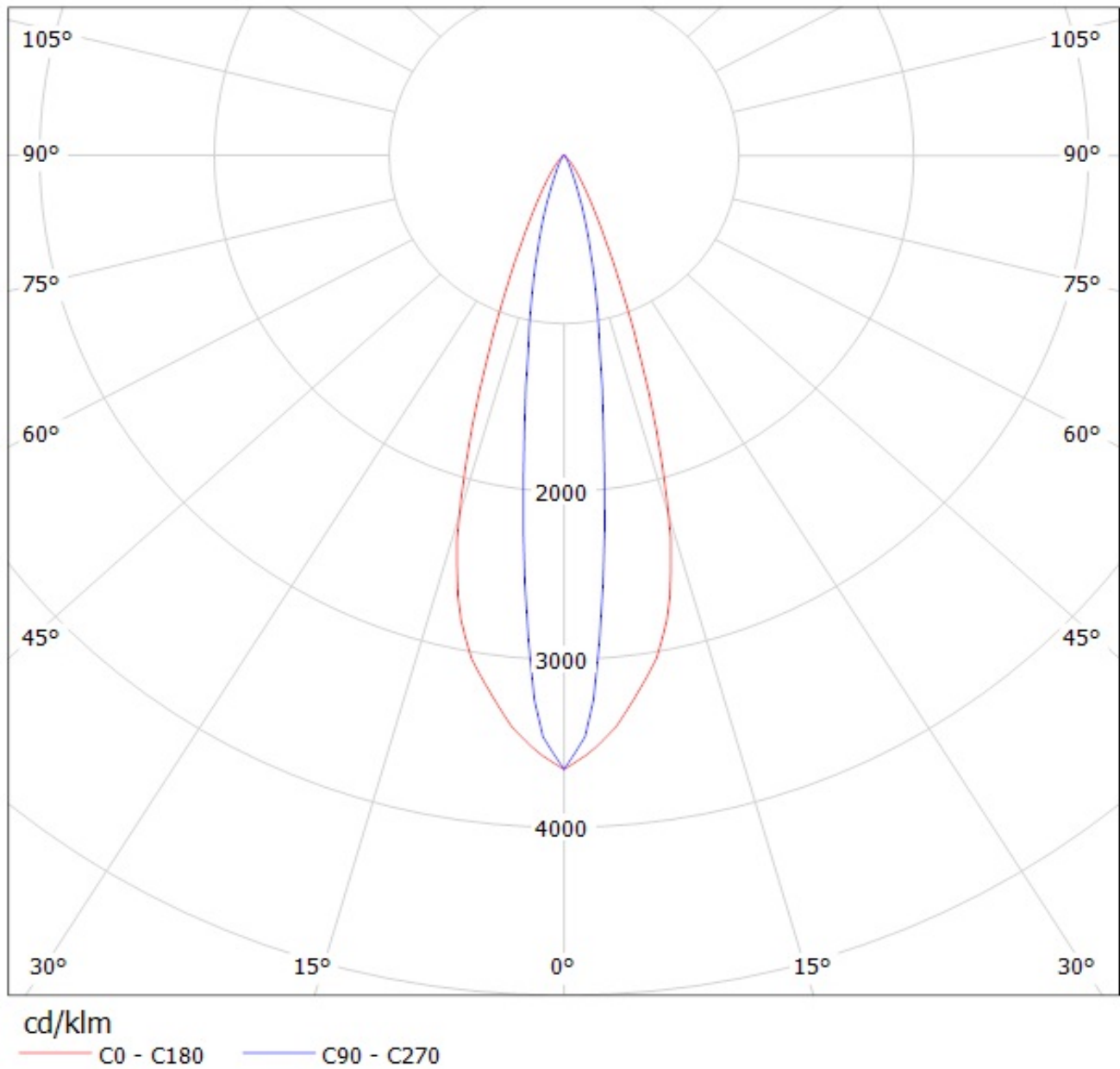


cd/klm

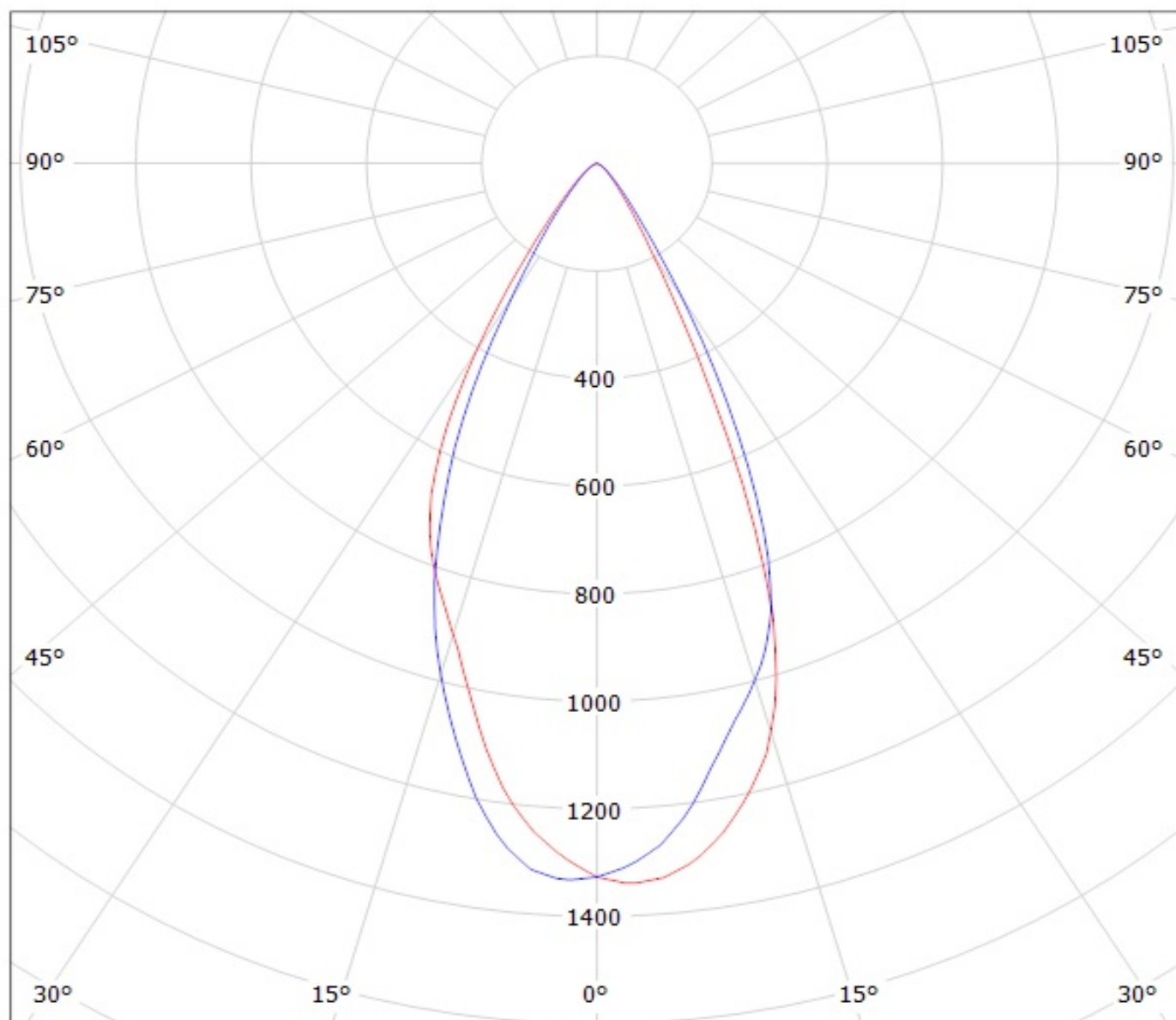
— C0 - C180

— C90 - C270

Luminaire: LEDIL OY CP12689\_TINA2-O (SSL80) Efficiency=86%  
Lamps: 1 x Osram Oslon SSL 80° (85lm@250mA)



Luminaire: Ledil Oy CA12378\_TINA2-W (Osram OSlon 80deg 79lm @ 250mA) Efficiency=86%  
Lamps: 1 x Osram OSlon 80deg 79lm @ 250mA CCT=6453K P=0,76W I=250mA



cd/klm

— C0 - C180

— C90 - C270