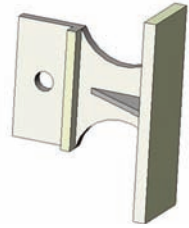




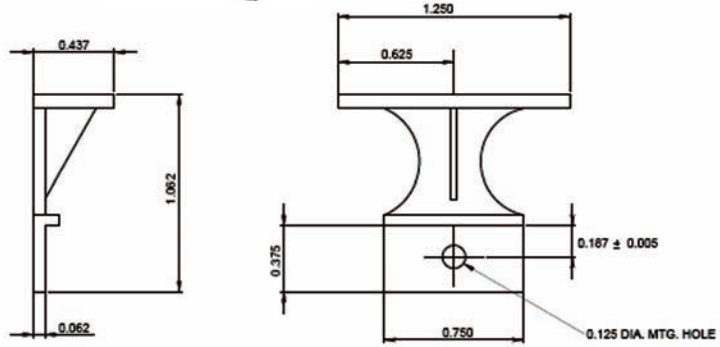
PCB Accessories

HA14

Pull Type Ejector Handle



- Extraction/insertion handles
- Mounts on front edge of Plugbord™ with single screw or roll-pin
- Plastic (FE4)



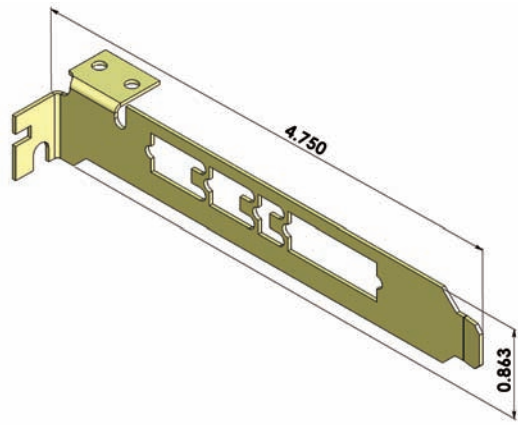
Part No.	Package Quantity
HA14	4
HA14/C	100



HD36B

Mounting Bracket Kit

Mounting Bracket Kit with hardware for IBM PC, AT & EISA P.C. boards
 Pattern has "knock out" cutouts for "D" subminiature connectors



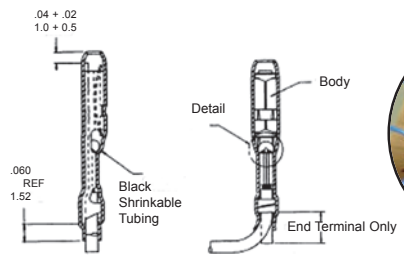
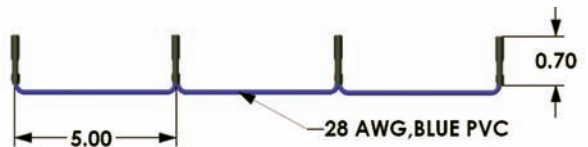
Part No.	Package Quantity
HD36B	1



T120-1

Slip-On Contacts

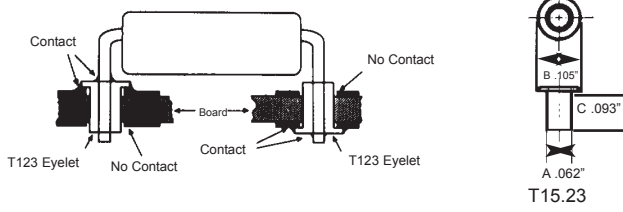
- Reels of slip-on contacts. 5" apart
- Slips onto .025" square posts
- 28 gage PVC insulated blue wire
- Temperature Range: -310 to 221°F (-190 to 105°C)



Part No.	Contact Description	Package Quantity
T120-1/50	installed on wire	Reel of 50
T120-1/250	installed on wire	Reel of 250

Eyelets T15.23, T123

- 2 versions provide hole size reduction
 T123 - reduces .055" dia. holes to .042"
- T123 eyelets are copper with .0003" to .0005" thick tin plating
 T15.23 - reduces .062" dia. holes to .042"
- Simulates copper thru hole plating
- Used to commit power and ground planes



Part No.	Qty	A	B	C	ID
T15.23/M	1000	.062"	.105"	.093"	.042"
T123/500	500	.055"	.105"	.093"	.042"
T123/1000	1000	.055"	.105"	.093"	.042"



Accessories

