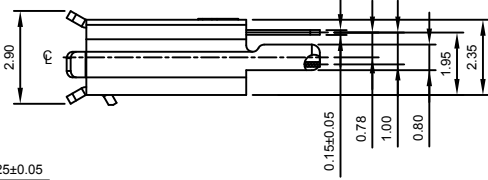
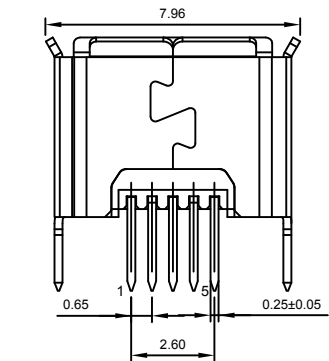
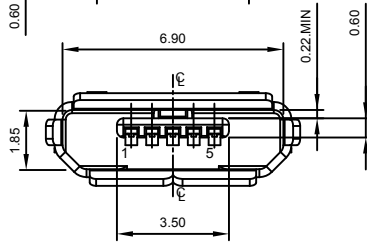
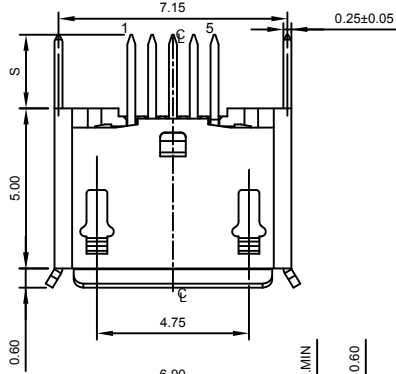
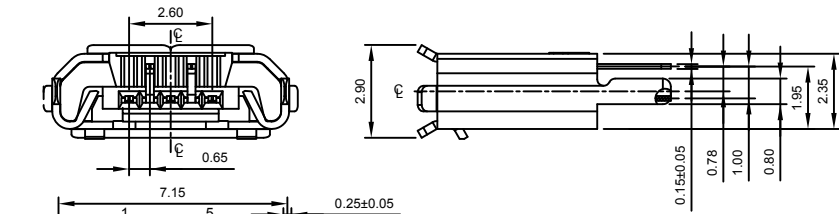


Global Connector Technology Ltd. - USB3131:  $\mu$ USB Receptacle, Type B, Vertical, Through Hole with 2.30mm (Standard) Shell Stakes

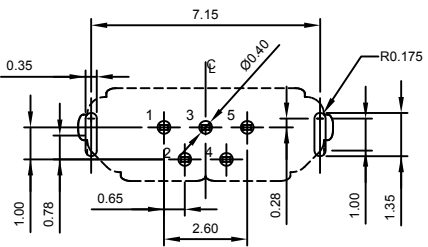
A  
B  
C  
D  
E  
F  
G  
H

A  
B  
C  
D  
E  
F  
G  
H



Designed to comply with physical, electrical and environmental requirements of Micro USB Standard (USB2.0)  
A/B types support USB On-The-GO (OTG) interface.

If you seek shorter shell stakes for use with PCB thickness 1.00mm (.039"), see USB3140 (SMT with cap) or USB3130 (Through Hole).



RECOMMENDED P.C.B LAYOUT

GENERAL TOLERANCE: ±0.05  
AS VIEWED FROM COMPONENT SIDE  
[ ] Component Outline

Ordering Grid

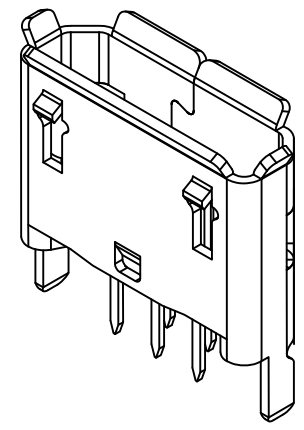
USB3131 - 30 - 0230 - A

REQUEST SAMPLES AND QUOTATION

Contact Plating  
30 = 30 $\mu$ " Gold

Packing Options  
A = Tape & Reel  
(1,500 Pieces per Reel)

Shell Stake Length "S"  
0230 = 2.30mm  
(recommended for 1.6mm PCB thickness)



Specifications 规格:

Materials 材料:  
Plastic Housing 胶芯: LCP, UL94V-0, Black, 黑色  
Contact Terminal 端子: Copper Alloy 铜合金  
Metallic Shell 金属外壳: Stainless Steel 不锈钢 SUS304-1/2H T=0.25mm

Finish 表面处理:  
Underplating 底层电镀: Nickel 镍 50 $\mu$ " min.  
Plating 电镀:  
Contact Area 接触区: 30 $\mu$ " Gold plating, 30 $\mu$ " 镀金  
Solder Tails 焊接区: Gold Flash 闪金  
Metallic Shell 金属外壳: Matte Tin 雾锡 50-100 $\mu$ "

Electrical 电气规格:  
Voltage Rating 电压额定值: 30V  
Current Rating 电流额定值: Signal (Pins 2,3,4)信号: 1.0 A  
Power (Pins 1,5)电源: 1.8 A  
Operating Temperature 工作温度: -55°C to +85°C  
Contact Resistance 接触电阻值: 30 m $\Omega$  max.  
Insulating Resistance 绝缘电阻值: 1000 M $\Omega$  min.  
Dielectric Withstand Voltage 耐电压: 100V AC for 1 minute

Mechanical 机械性规格:  
Mating Force 插入力: 35N max.  
Unmating Force 拨出力: Initial 10N min., 初始10N,  
Final 8N min., 最后8N  
Durability 耐久性: 10,000 Cycles 次插拔

By	AJO
DETAIL	DRAWING RELEASE
REV DATE	A 28/10/13



Tolerances (Except as noted)	Part Number:-	Date:-
Dimensions in mm	USB3131	28 OCT 13
X.X ± 0.35	Description:-	
X.XX ± 0.25	$\mu$ USB Receptacle, Type B, Vertical, Through Hole with Shell Stakes	
Third Angle Projection	THIS DRAWING IS CONFIDENTIAL AND MUST NOT BE COPIED OR DISCLOSED WITHOUT WRITTEN CONSENT	

**GCT**  
www.gct.co

Scale	Revision	Material	Drawn by	Sheet No.
NTS	A	See Note	AJO	E & OE 1/2

