

Charger Detection Device with High Speed USB Switch Battery Charger Specification v1.2

Check for Samples: [bq24392](#)

FEATURES

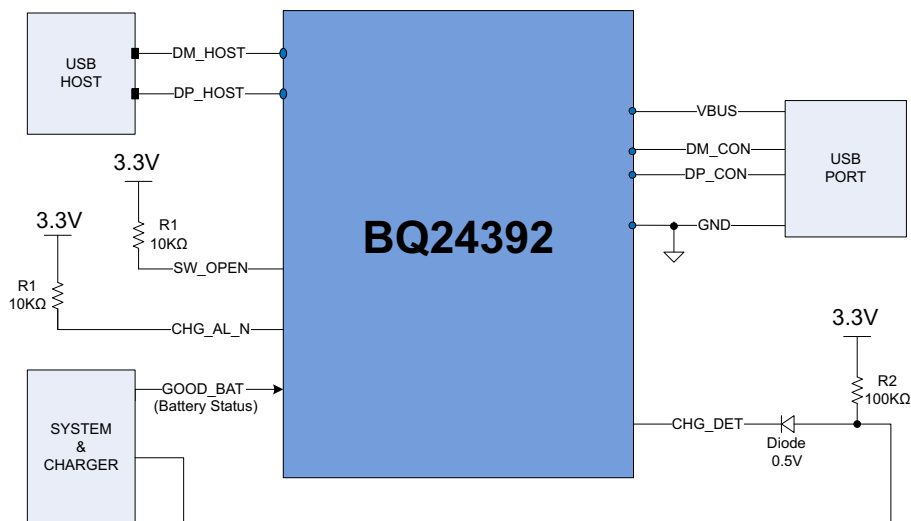
- **Charger Detection Device**
 - USB BCv1.2 Compliant
 - VBUS Detection
 - Data Contact Detection
 - Primary & Secondary Detection
 - Dead Battery Provision (DBP) 32-min Timer
- **Switch**
 - USB 2.0 High Speed Switch
- **Compatible Accessories**
 - Dedicated Charging Port
 - Standard Charging Port
 - Charging Port
- **Other Chargers Detected**
 - Apple™ Charger
 - TomTom™ Charger
 - Non Compliant USB Charger

- **VBUS Voltage Range**
 - –2V to 28V Tolerance on VBUS
- **ESD Performance Tested per JESD 22**
 - 4000-V Human-Body Model (A114-B, Class II)
 - 1500-V Charged-Device Model (C101)
- **ESD Performance DP_CON/DM_CON to GND**
 - ±8kV Contact Discharge (IEC 61000-4-2)

APPLICATIONS

- Cell Phones
- Smart-Phones
- Tablets
- Camera & GPS Systems

TYPICAL APPLICATION DIAGRAM



ORDERING INFORMATION⁽¹⁾

T _A	PACKAGE ⁽²⁾	ORDERABLE PART NUMBER	TOP-SIDE MARKING
–40°C to 85°C	μQFN 0.5-mm pitch – RSE Tape and Reel	BQ24392RSER	APH

(1) For the most current package and ordering information, see the Package Option Addendum at the end of this document, or see the TI web site at www.ti.com.

(2) Package drawings, thermal data, and symbolization are available at www.ti.com/packaging.



Please be aware that an important notice concerning availability, standard warranty, and use in critical applications of Texas Instruments semiconductor products and disclaimers thereto appears at the end of this data sheet.

Apple is a trademark of Apple.

TomTom is a trademark of TomTom International.

PRODUCTION DATA information is current as of publication date. Products conform to specifications per the terms of the Texas Instruments standard warranty. Production processing does not necessarily include testing of all parameters.

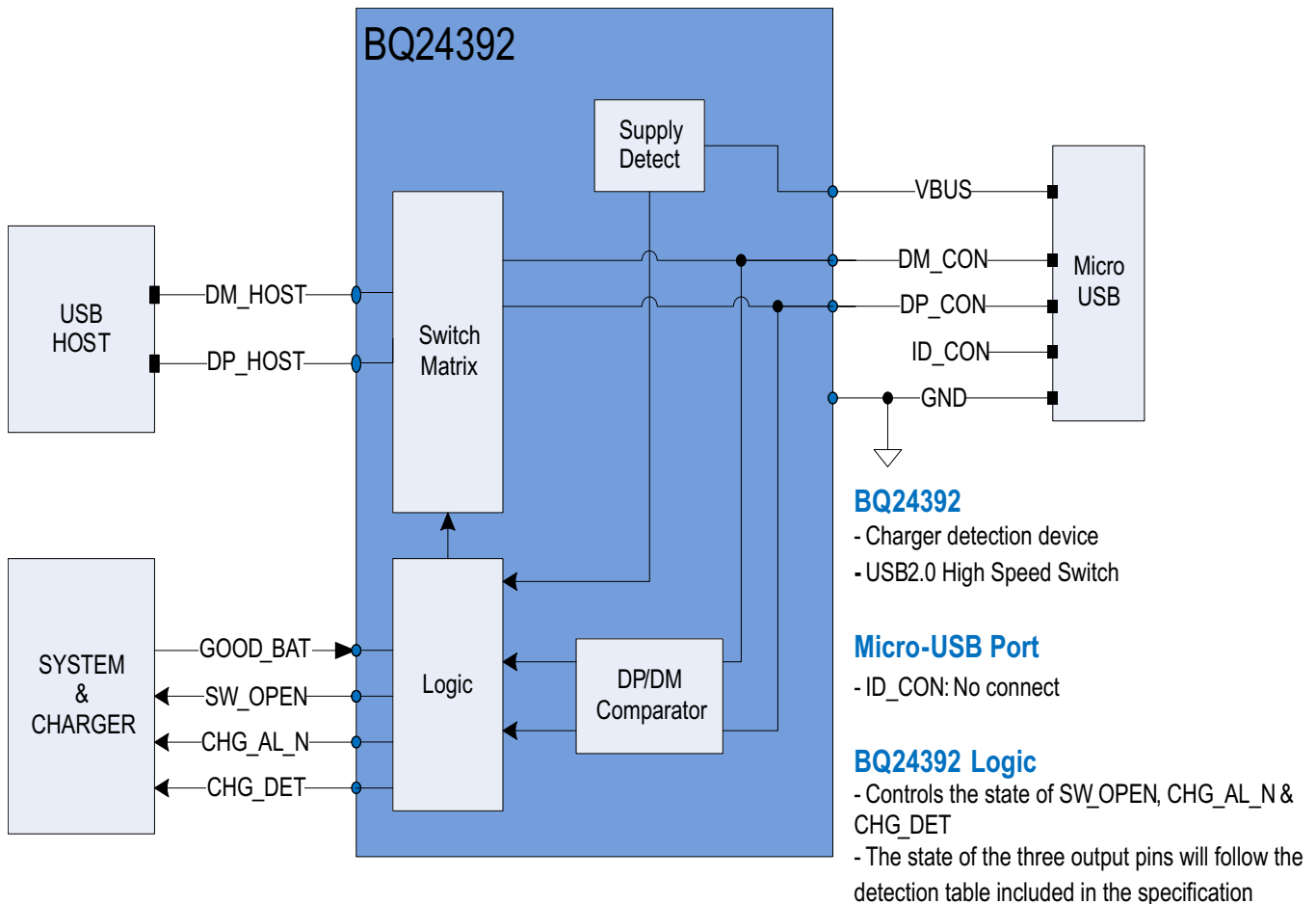
DESCRIPTION

The bq24392 is a charger detection device with an integrated isolation switch for use with a micro/mini USB port. The device is compliant with USB Battery Charging specification v1.2. This device allows cell phones and tablets to be charged from different adapters including USB BCv1.2 compliant and non-standard USB chargers. These non-standard chargers include Apple, TomTom, and non-compliant USB chargers. The bq24392 conforms to Dead Battery Provision (DBP) specified in BCv1.2. This includes a 32-min timer that cannot exceed 45 mins.

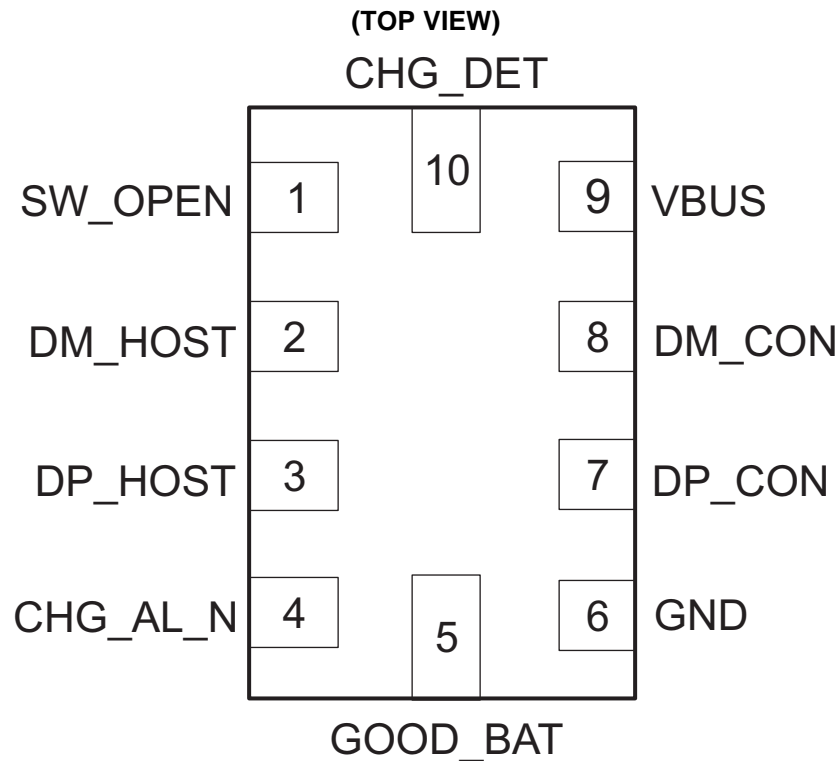
The bq24392 has a USB 2.0 switch that supports high speed. In addition to a USB connector and host pins, bq24392 has one input and three output pins. This results in a minimum software workload for the system to interact with the device.

V_{BUS} has 28V tolerance to avoid external protection. Power for this device is supplied through VBUS when accessory is attached.

BLOCK DIAGRAM



PINOUT DIAGRAM



PIN DESCRIPTION

PIN		I/O	DESCRIPTION
NO.	NAME		
1	SW_OPEN	O	Open-drain output. 10kΩ external pull-up resistor. This pin indicates the status of the USB switch. SW_OPEN = LOW then switch is connected SW_OPEN = HIGH-Z then switch is not connected
2	DM_HOST	I/O	D- signal to transceiver
3	DP_HOST	I/O	D+ signal to transceiver
4	CHG_AL_N	O	Open-drain output add 10kΩ external pull-up resistor. This pin indicates when charging is allowed. CHG_AL_N = LOW then charging allowed CHG_AL_N = HIGH-Z then no charging
5	GOOD_BAT	I	Input from the system This pin indicates the status of the battery GOOD_BAT = LOW indicates a dead battery GOOD_BAT = HIGH indicates a good battery
6	GND		USB DM connected to USB receptacle
7	DP_CON	I/O	D+ signal from USB connector
8	DM_CON	I/O	D- signal from USB connector
9	VBUS	I	Supply pin from USB connector
10	CHG_DET	O	Push-pull output to the system This pin indicates if a charger is detected by the device CHG_DET = LOW indicates a charger is not detected CHG_DET = HIGH indicates a charger detected

SUMMARY OF TYPICAL CHARACTERISTICS

$T_A = 25^\circ\text{C}$	USB Path (DP_CON and DM_CON)
ON-state resistance (r_{on})	8 Ω
ON-state resistance match (Δr_{on})	0.5 Ω
ON-state resistance flatness ($r_{on(flat)}$)	0.5 Ω
Bandwidth (BW)	920 MHz
OFF isolation (O_{ISO})	-26 dB at 250 MHz
Crosstalk (X_{TALK})	-32 dB at 250 MHz
Leakage current ($I_{IO(ON)}$)	50 nA

ABSOLUTE MAXIMUM RATINGS

over -40°C to 85°C temperature range (unless otherwise noted)

		ABSOLUTE MAX	UNIT
Pin voltage range	VBUS	-2 to 28	V
	CHG_AL_N	-2 to 28	V
	All Others	-0.3 to 7	V
ESD	HBM	4000	V
	CDM	1500	V
	IEC Contact Discharge (DP_CON, DM_CON to GND)	8000	V

RECOMMENDED OPERATING CONDITIONS

		MIN	MAX	UNIT
VBUS		4.75	5.25	V

THERMAL IMPEDANCE RATINGS

		RSE PACKAGE	UNIT
θ_{JA}	Package thermal impedance	184	$^\circ\text{C}/\text{W}$

GENERAL ELECTRICAL SPECIFICATION

over -40°C to 85°C temperature range (unless otherwise noted)

PARAMETER		TEST CONDITIONS	MIN	TYP	MAX	UNIT
V_{BUS_VALID}	VBUS Valid threshold	Rising VBUS threshold		3.5		V
V_{OH}	CHG_DET	$I_{OH} = -2\text{ mA}$	3.5		$VBUS^{(1)}$	V
V_{OL}	CHG_DET, SW_OPEN, CHG_AL_N	$I_{OL} = 2\text{ mA}$			0.4	V
V_{IH}	GOOD_BAT	Internal pull-down resistor	1.1			V
V_{IL}					0.5	V
R_{PD}			950		k Ω	
I_{Q-SWON}	Current consumption	VBUS = 5V; USB Switch ON; GOOD_BAT VIH Min = 1.1 V		250		μA
I_{Q-SWON}		VBUS = 5 V; USB Switch ON; GOOD_BAT VIH Min = 2.5 V		80		μA
$I_{Q-SWOFF}$		VBUS = 5 V; USB Switch OFF		45		μA
t_{DBP}	Dead battery provision timer		32	45		Mins

(1) CHG_DET Max value will be clamped at 7V when VBUS > 7V.

USB SWITCHING ELECTRICAL CHARACTERISTICS

 $V_{BUS} = 4.5V \text{ to } 5.5V$, $T_A = -40^\circ\text{C to } 85^\circ\text{C}$ (unless otherwise noted)⁽¹⁾

PARAMETER		TEST CONDITIONS	MIN	TYP	MAX	UNIT
VUSBIO	Analog signal range		0		3.6	V
r_{ON}	ON-state resistance	DM_CON, DP_CON, DM_HOST, DP_HOST $V_I = 0V \text{ to } 3.6V$, $I_O = -2mA$		8		Ω
Δr_{ON}	ON-state resistance match between channels	DM_CON, DP_CON, DM_HOST, DP_HOST $V_I = 0.4V$, $I_O = -2mA$		0.5		Ω
$r_{ON(Flat)}$	ON-state resistance flatness	DM_CON, DP_CON, DM_HOST, DP_HOST $V_I = 0V \text{ to } 3.6V$, $I_O = -2mA$		1.1		Ω
$I_{IO(OFF)}$	V_I or V_O OFF leakage current	$V_I = 0.3V$, $V_O = 2.7V$ or $V_I = 2.7V$, $V_O = 0.3V$, Switch OFF		45		nA
$I_{IO(ON)}$	V_O ON leakage current	$V_I = OPEN$, $V_O = 0.3V$ or $2.7V$, Switch ON		50		nA
DYNAMIC						
$C_{I(OFF)}$	V_I OFF capacitance	DC bias = $0V$ or $3.6V$, $f = 10MHz$, Switch OFF		2		pF
$C_{O(OFF)}$	V_O OFF capacitance	DC bias = $0V$ or $3.6V$, $f = 10MHz$, Switch OFF		10		pF
$C_{I(ON)}$, $C_{O(ON)}$	V_I , V_O ON capacitance	DC bias = $0V$ or $3.6V$, $f = 10MHz$, Switch ON		11		pF
BW	Bandwidth	$R_L = 50\Omega$, Switch ON		920		MHz
O_{ISO}	OFF Isolation	$f = 240MHz$, $R_L = 50\Omega$, Switch OFF		-26		dB
X_{TALK}	Crosstalk	$f = 240MHz$, $R_L = 50\Omega$		-30.5		dB

- (1) V_O is equal to the asserted voltage on DP_CON, DM_CON pins.
 V_I is equal to the asserted voltage on DP_HOST and DM_HOST pins.
 I_O is equal to the current on the DP_CON, DM_CON.
 I_I is equal to the current on the DP_HOST and DM_HOST pins.

GENERAL OPERATION

The bq24392 is designed to interface a micro/mini USB connector to external peripherals.

The device will automatically detect different types of chargers through the mini/micro USB pin connector. The bq24392 has a high speed USB 2.0 switch that can be automatically opened and closed based on the accessory detected.

DETECTION SEQUENCE

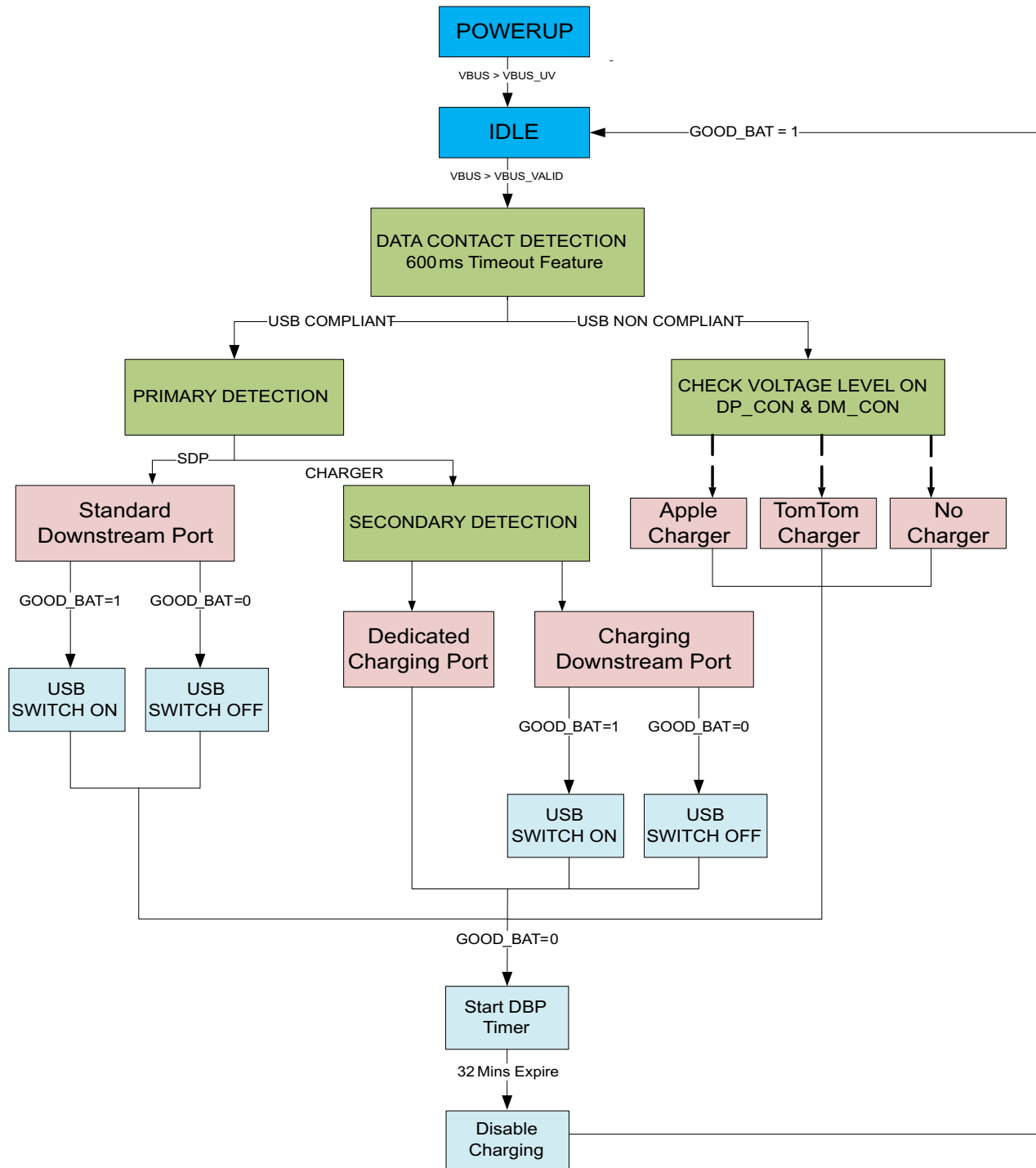
After accessory insertion, once VBUS voltage is greater than V_{BUS_VALID} threshold, the device proceeds onto data contact detection. This state has a 600ms timeout feature specified in BCDv1.2. Depending on the result, the next step is primary detection or non-compatible USB charger detection. In the case of former, the next step is detecting a Standard Downstream Port (SDP), Dedicated Charging Port (DCP), or Charging Downstream Port (CDP). In the case of latter, the next step is detecting an Apple, TomTom, or Non-compliant Charger.

The USB 2.0 switches are automatically closed to enable data transfer if either SDP or CDP is detected and the GOOD_BAT input is HIGH.

Once a charger has been detected, and if the GOOD_BAT input is LOW, a Dead Battery timer is initiated. If the GOOD_BAT continues to be LOW for 30 minutes (maximum of 45 minutes), charging is disabled. Toggling GOOD_BAT HIGH after DBP timer expires will re-start detection.

The following flow-chart shows the detection sequence used in the bq24392.

Flow Chart of Detection Sequence



Detection Table

The table below lists the configurations of the DP_CON (D+) and DM_CON (D–) that are internal to the various device types.

Device Type	VBUS	DP_CON (D+)	DM_CON (D–)	GOOD_BAT (Input)	CHG_AL_N (Output)	CHG_DET (Output)	SW_OPEN (Output)	Switch Status
Standard Downstream Port	>3.5V	Pull-down R to GND	Pull-down R to GND	HIGH	LOW	LOW	LOW	Connected
				LOW	LOW	LOW	Hi-Z	Not Connected
Charging Downstream Port	>3.5V	Pull-down R to GND	V _{DM_SRC}	HIGH	LOW	HIGH	LOW	Connected
				LOW	LOW	HIGH	Hi-Z	Not Connected
Dedicated Charging Port	>3.5V	Short to D–	Short to D+	HIGH	LOW	HIGH	Hi-Z	Not Connected
				LOW	LOW	HIGH	Hi-Z	Not Connected
Apple Charger	>3.5V	2.0 < V _{DP} < 2.8	2.0 < V _{DM} < 2.8	HIGH	LOW	HIGH	Hi-Z	Not Connected
				LOW	LOW	HIGH	Hi-Z	Not Connected
TomTom Charger	>3.5V	2.0 < V _{DP} < 3.1	2.0 < V _{DM} < 3.1	HIGH	LOW	HIGH	Hi-Z	Not Connected
				LOW	LOW	HIGH	Hi-Z	Not Connected
PS/2 Charger	>3.5V	Pull-up R to VBUS	Pull-up R to VBUS	X	LOW	LOW	Hi-Z	Not Connected
Non-compliant USB Charger	>3.5V	Open	Open	X	LOW	LOW	Hi-Z	Not Connected
Any Device	<3.5V	Open	Open	X	Hi-Z	LOW	Hi-Z	Not Connected
Any Device DBP Timer Expired	>3.5V	X	X	LOW	Hi-Z	LOW	Hi-Z	Not Connected

USB 2.0 EYE DIAGRAM

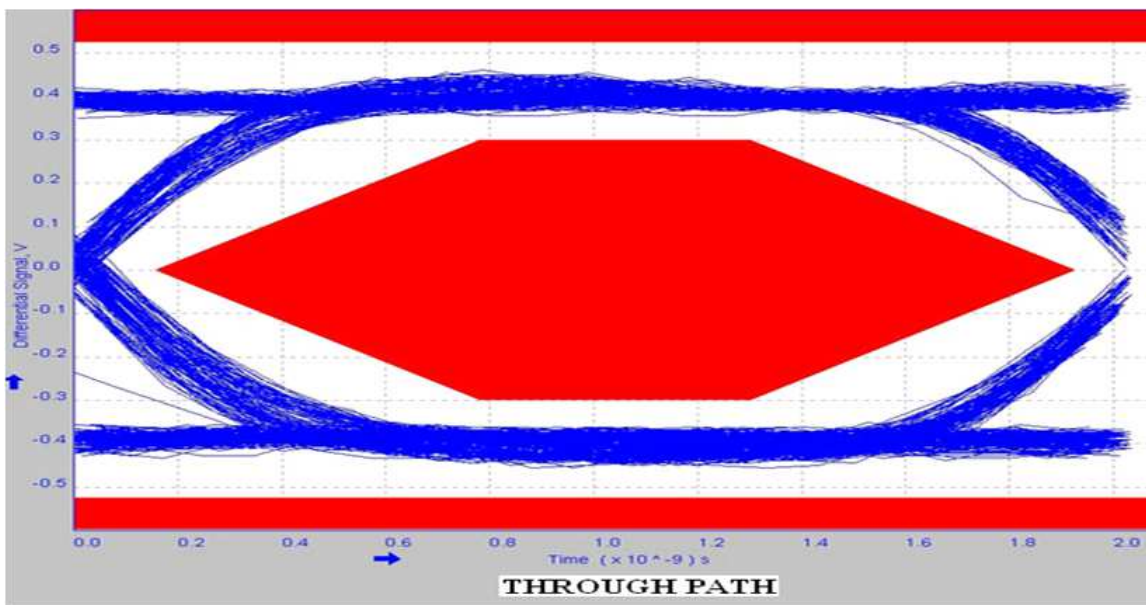


Figure 1. 480-Mbps USB 2.0 Eye Diagram with No Device

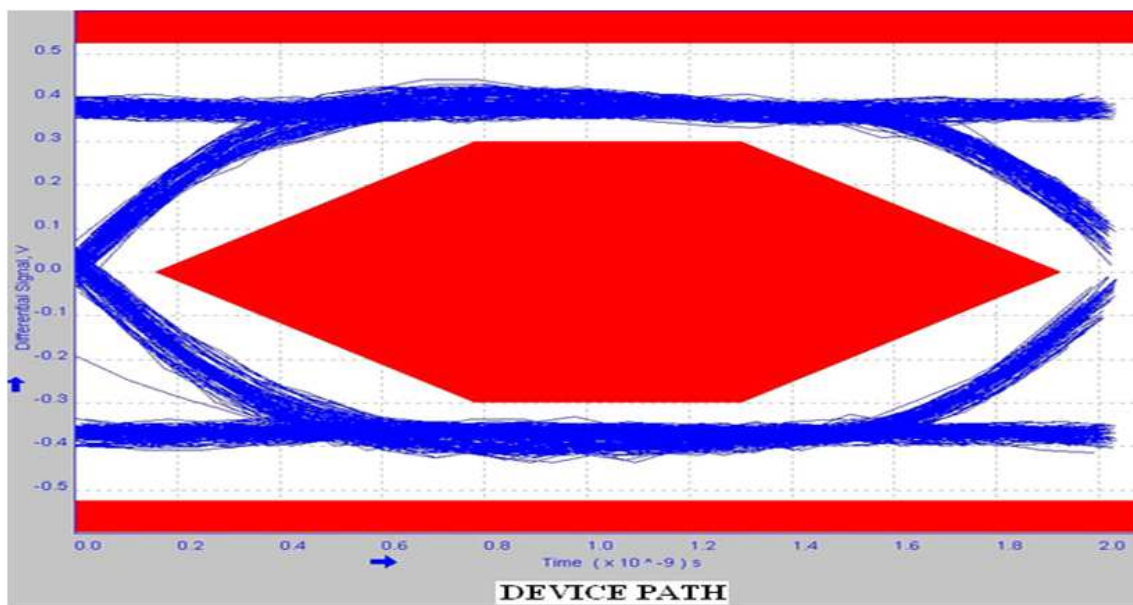


Figure 2. 480-Mbps USB 2.0 Eye Diagram with USB Switch

REFERENCE SCHEMATIC

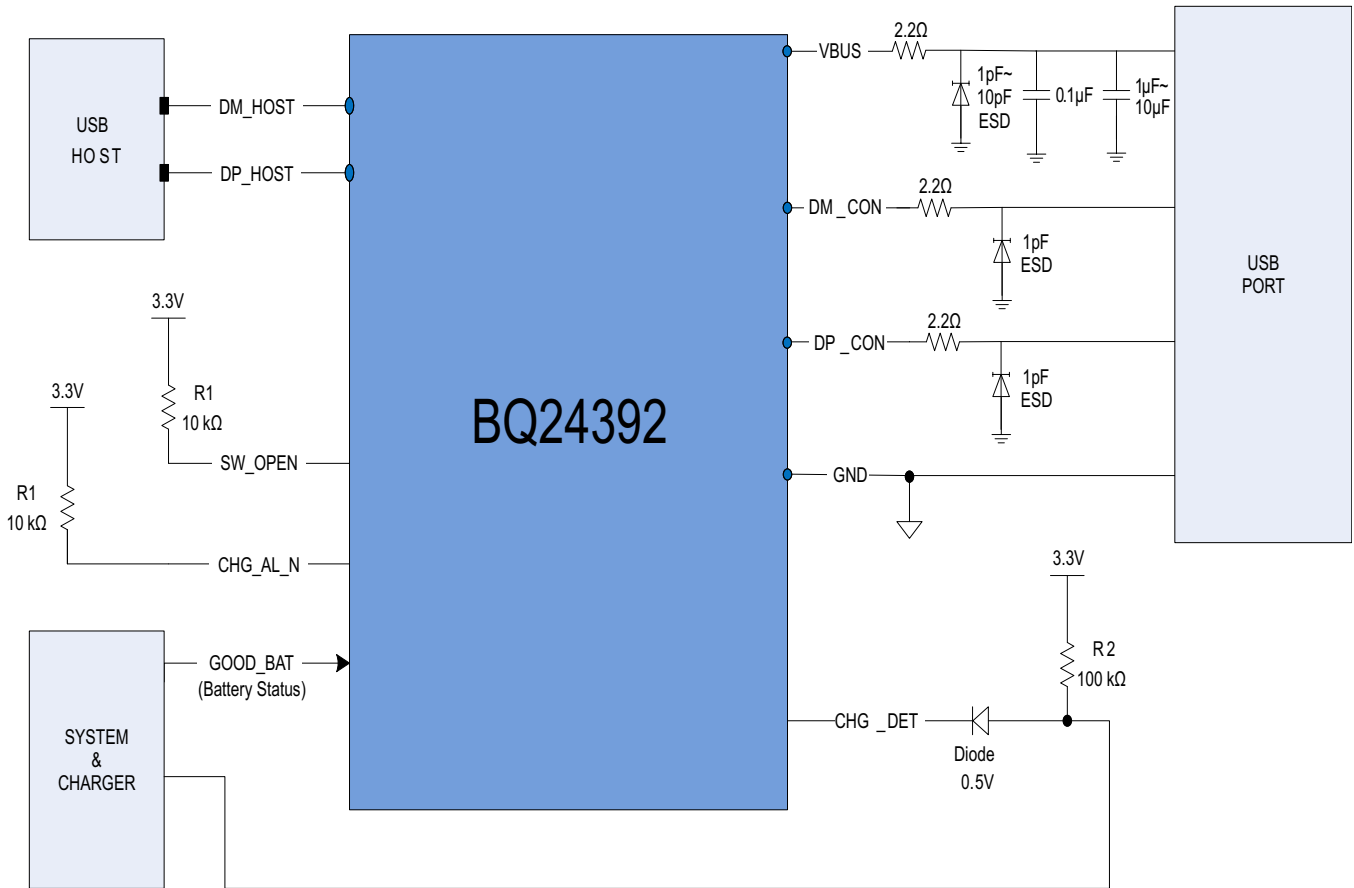


Table 1. Critical Components

PIN		
NAME	NUMBER	CRITICAL COMPONENT
V _{BUS}	9	1μF~10μF
		2.2Ω
		ESD Protection Diode
		0.1μF
SW_OPEN	1	10kΩ
CHG_AL_N	4	10kΩ
DM_CON	14	2.2Ω
		ESD Protection Diode
DP_CON	15	2.2Ω
		ESD Protection Diode

Schematic Guidelines

1. V_{BUS} requires $1\mu\text{F}$ – $10\mu\text{F}$ and $0.1\mu\text{F}$ decoupling capacitors to reduce noise from circuit elements. The capacitors act as a shunt to block off the noise. The $0.1\mu\text{F}$ capacitor smooths out high frequencies and has a lower series inductance. The $1\mu\text{F}$ – $10\mu\text{F}$ capacitor smooths out the lower frequencies and has a much higher series inductance. Using both capacitors will provide better load regulation across the frequency spectrum.
2. SW_OPEN and CHG_AL_N are open-drain outputs that require a $10\text{k}\Omega$ pull-up resistor to VDDIO.
3. V_{BUS} , DM_CON, and DP_CON are recommended to have an external resistor of 2.2Ω to provide extra ballasting to protect the chip and internal circuitry.
4. DM_CON and DP_CON are recommended to have a 1pF external ESD Protection Diode rated for 8kV IEC protection to prevent failure in case of an 8kV IEC contact discharge.
5. V_{BUS_IN} is recommended to have a 1pF ~ 10pF external ESD Protection Diode rated for 8kV IEC protection to prevent failure in case of an 8kV IEC contact discharge.
6. CHG_DET is a push-pull output pin. An external pull-up and Diode are shown to depict a typical 3.3V system. The pull-up resistor and diode are optional. The pull-up range on the CHG_DET pin is from 3.5V to V_{BUS} . When $V_{BUS} > 7\text{V}$, CHG_DET will be clamped to 7V .

PACKAGING INFORMATION

Orderable Device	Status (1)	Package Type	Package Drawing	Pins	Package Qty	Eco Plan (2)	Lead/Ball Finish	MSL Peak Temp (3)	Op Temp (°C)	Device Marking (4/5)	Samples
BQ24392RSER	ACTIVE	UQFN	RSE	10	3000	Green (RoHS & no Sb/Br)	CU NIPDAU	Level-1-260C-UNLIM	-40 to 85	APH	Samples

(1) The marketing status values are defined as follows:

ACTIVE: Product device recommended for new designs.

LIFEBUY: TI has announced that the device will be discontinued, and a lifetime-buy period is in effect.

NRND: Not recommended for new designs. Device is in production to support existing customers, but TI does not recommend using this part in a new design.

PREVIEW: Device has been announced but is not in production. Samples may or may not be available.

OBSOLETE: TI has discontinued the production of the device.

(2) Eco Plan - The planned eco-friendly classification: Pb-Free (RoHS), Pb-Free (RoHS Exempt), or Green (RoHS & no Sb/Br) - please check <http://www.ti.com/productcontent> for the latest availability information and additional product content details.

TBD: The Pb-Free/Green conversion plan has not been defined.

Pb-Free (RoHS): TI's terms "Lead-Free" or "Pb-Free" mean semiconductor products that are compatible with the current RoHS requirements for all 6 substances, including the requirement that lead not exceed 0.1% by weight in homogeneous materials. Where designed to be soldered at high temperatures, TI Pb-Free products are suitable for use in specified lead-free processes.

Pb-Free (RoHS Exempt): This component has a RoHS exemption for either 1) lead-based flip-chip solder bumps used between the die and package, or 2) lead-based die adhesive used between the die and leadframe. The component is otherwise considered Pb-Free (RoHS compatible) as defined above.

Green (RoHS & no Sb/Br): TI defines "Green" to mean Pb-Free (RoHS compatible), and free of Bromine (Br) and Antimony (Sb) based flame retardants (Br or Sb do not exceed 0.1% by weight in homogeneous material)

(3) MSL, Peak Temp. -- The Moisture Sensitivity Level rating according to the JEDEC industry standard classifications, and peak solder temperature.

(4) There may be additional marking, which relates to the logo, the lot trace code information, or the environmental category on the device.

(5) Multiple Device Markings will be inside parentheses. Only one Device Marking contained in parentheses and separated by a "~" will appear on a device. If a line is indented then it is a continuation of the previous line and the two combined represent the entire Device Marking for that device.

Important Information and Disclaimer: The information provided on this page represents TI's knowledge and belief as of the date that it is provided. TI bases its knowledge and belief on information provided by third parties, and makes no representation or warranty as to the accuracy of such information. Efforts are underway to better integrate information from third parties. TI has taken and continues to take reasonable steps to provide representative and accurate information but may not have conducted destructive testing or chemical analysis on incoming materials and chemicals. TI and TI suppliers consider certain information to be proprietary, and thus CAS numbers and other limited information may not be available for release.

In no event shall TI's liability arising out of such information exceed the total purchase price of the TI part(s) at issue in this document sold by TI to Customer on an annual basis.

TAPE AND REEL INFORMATION
REEL DIMENSIONS

TAPE DIMENSIONS


A0	Dimension designed to accommodate the component width
B0	Dimension designed to accommodate the component length
K0	Dimension designed to accommodate the component thickness
W	Overall width of the carrier tape
P1	Pitch between successive cavity centers

TAPE AND REEL INFORMATION

*All dimensions are nominal

Device	Package Type	Package Drawing	Pins	SPQ	Reel Diameter (mm)	Reel Width W1 (mm)	A0 (mm)	B0 (mm)	K0 (mm)	P1 (mm)	W (mm)	Pin1 Quadrant
BQ24392RSER	UQFN	RSE	10	3000	180.0	8.4	1.68	2.13	0.76	4.0	8.0	Q1

TAPE AND REEL BOX DIMENSIONS

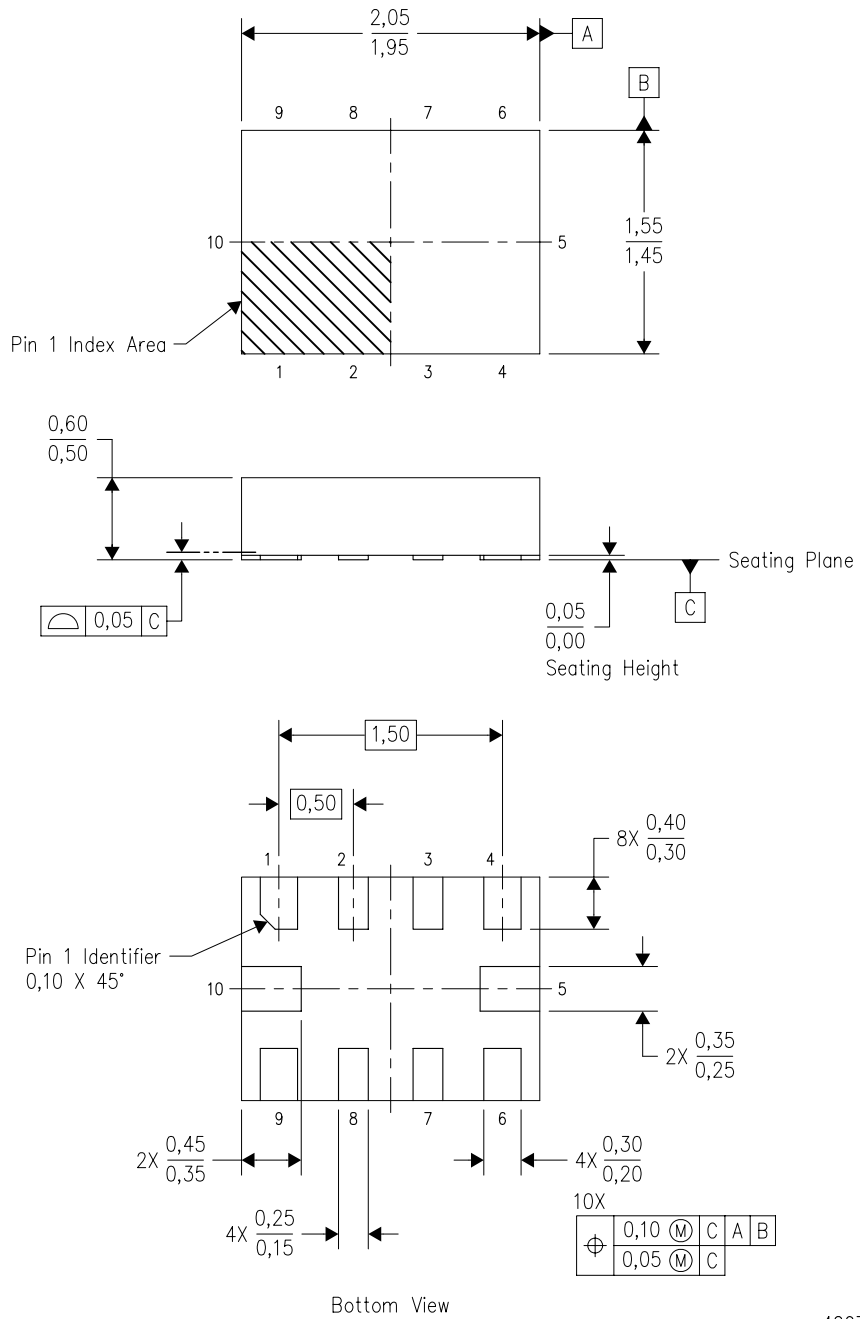


*All dimensions are nominal

Device	Package Type	Package Drawing	Pins	SPQ	Length (mm)	Width (mm)	Height (mm)
BQ24392RSER	UQFN	RSE	10	3000	202.0	201.0	28.0

RSE (R-PUQFN-N10)

PLASTIC QUAD FLATPACK NO-LEAD

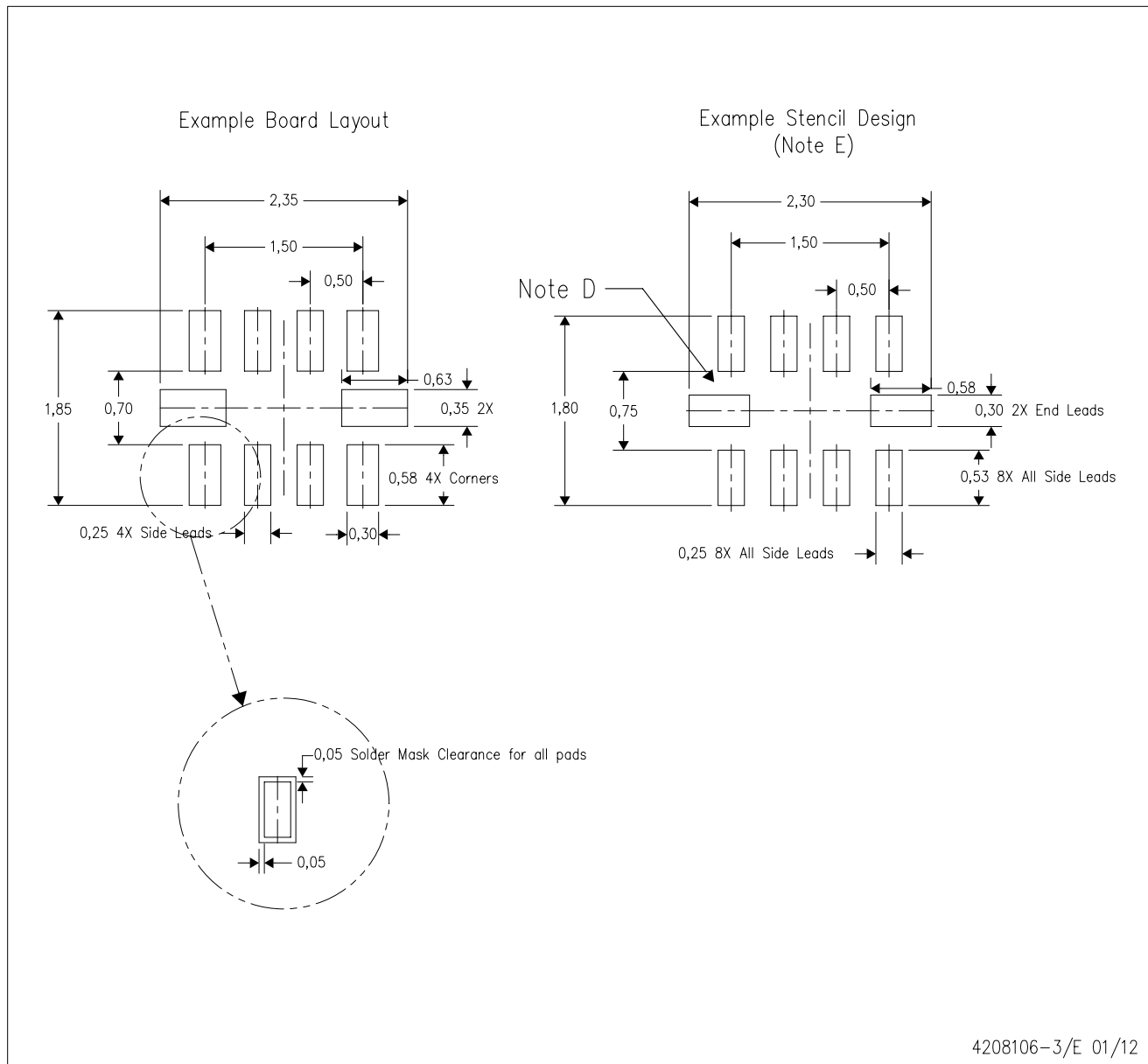


4207268-3/D 01/11

- NOTES:
- All linear dimensions are in millimeters. Dimensioning and tolerancing per ASME Y14.5M-1994.
 - This drawing is subject to change without notice.
 - QFN (Quad Flatpack No-Lead) package configuration.
 - This package complies to JEDEC MO-288 variation UDFD.

RSE (R-PUQFN-N10)

PLASTIC QUAD FLATPACK NO-LEAD



- NOTES:
- A. All linear dimensions are in millimeters.
 - B. This drawing is subject to change without notice.
 - C. Publication IPC-7351 is recommended for alternate designs.
 - D. Customers should contact their board fabrication site for minimum solder mask web tolerances between signal pads.
 - E. Maximum stencil thickness 0,127 mm (5 mils). All linear dimensions are in millimeters.
 - F. Laser cutting apertures with trapezoidal walls and also rounding corners will offer better paste release. Customers should contact their board assembly site for stencil design recommendations. Refer to IPC 7525 for stencil design considerations.
 - G. Side aperture dimensions over-print land for acceptable area ratio > 0.66. Customer may reduce side aperture dimensions if stencil manufacturing process allows for sufficient release at smaller opening.

IMPORTANT NOTICE

Texas Instruments Incorporated and its subsidiaries (TI) reserve the right to make corrections, enhancements, improvements and other changes to its semiconductor products and services per JESD46, latest issue, and to discontinue any product or service per JESD48, latest issue. Buyers should obtain the latest relevant information before placing orders and should verify that such information is current and complete. All semiconductor products (also referred to herein as "components") are sold subject to TI's terms and conditions of sale supplied at the time of order acknowledgment.

TI warrants performance of its components to the specifications applicable at the time of sale, in accordance with the warranty in TI's terms and conditions of sale of semiconductor products. Testing and other quality control techniques are used to the extent TI deems necessary to support this warranty. Except where mandated by applicable law, testing of all parameters of each component is not necessarily performed.

TI assumes no liability for applications assistance or the design of Buyers' products. Buyers are responsible for their products and applications using TI components. To minimize the risks associated with Buyers' products and applications, Buyers should provide adequate design and operating safeguards.

TI does not warrant or represent that any license, either express or implied, is granted under any patent right, copyright, mask work right, or other intellectual property right relating to any combination, machine, or process in which TI components or services are used. Information published by TI regarding third-party products or services does not constitute a license to use such products or services or a warranty or endorsement thereof. Use of such information may require a license from a third party under the patents or other intellectual property of the third party, or a license from TI under the patents or other intellectual property of TI.

Reproduction of significant portions of TI information in TI data books or data sheets is permissible only if reproduction is without alteration and is accompanied by all associated warranties, conditions, limitations, and notices. TI is not responsible or liable for such altered documentation. Information of third parties may be subject to additional restrictions.

Resale of TI components or services with statements different from or beyond the parameters stated by TI for that component or service voids all express and any implied warranties for the associated TI component or service and is an unfair and deceptive business practice. TI is not responsible or liable for any such statements.

Buyer acknowledges and agrees that it is solely responsible for compliance with all legal, regulatory and safety-related requirements concerning its products, and any use of TI components in its applications, notwithstanding any applications-related information or support that may be provided by TI. Buyer represents and agrees that it has all the necessary expertise to create and implement safeguards which anticipate dangerous consequences of failures, monitor failures and their consequences, lessen the likelihood of failures that might cause harm and take appropriate remedial actions. Buyer will fully indemnify TI and its representatives against any damages arising out of the use of any TI components in safety-critical applications.

In some cases, TI components may be promoted specifically to facilitate safety-related applications. With such components, TI's goal is to help enable customers to design and create their own end-product solutions that meet applicable functional safety standards and requirements. Nonetheless, such components are subject to these terms.

No TI components are authorized for use in FDA Class III (or similar life-critical medical equipment) unless authorized officers of the parties have executed a special agreement specifically governing such use.

Only those TI components which TI has specifically designated as military grade or "enhanced plastic" are designed and intended for use in military/aerospace applications or environments. Buyer acknowledges and agrees that any military or aerospace use of TI components which have **not** been so designated is solely at the Buyer's risk, and that Buyer is solely responsible for compliance with all legal and regulatory requirements in connection with such use.

TI has specifically designated certain components as meeting ISO/TS16949 requirements, mainly for automotive use. In any case of use of non-designated products, TI will not be responsible for any failure to meet ISO/TS16949.

Products

Audio	www.ti.com/audio
Amplifiers	amplifier.ti.com
Data Converters	dataconverter.ti.com
DLP® Products	www.dlp.com
DSP	dsp.ti.com
Clocks and Timers	www.ti.com/clocks
Interface	interface.ti.com
Logic	logic.ti.com
Power Mgmt	power.ti.com
Microcontrollers	microcontroller.ti.com
RFID	www.ti-rfid.com
OMAP Applications Processors	www.ti.com/omap
Wireless Connectivity	www.ti.com/wirelessconnectivity

Applications

Automotive and Transportation	www.ti.com/automotive
Communications and Telecom	www.ti.com/communications
Computers and Peripherals	www.ti.com/computers
Consumer Electronics	www.ti.com/consumer-apps
Energy and Lighting	www.ti.com/energy
Industrial	www.ti.com/industrial
Medical	www.ti.com/medical
Security	www.ti.com/security
Space, Avionics and Defense	www.ti.com/space-avionics-defense
Video and Imaging	www.ti.com/video

TI E2E Community

e2e.ti.com