

Piezo Transducer Sounder



RoHS
Compliant



Features:

- Black in colour
- Low power consumption
- PCB mountable

All data at 25°C unless otherwise specified

Specifications

Rated voltage (Vp-p square wave)	: 3Vp-p
Operating Voltage	: 1 to 30Vp-p
Rated Current*	: ≤ 1mA
Capacitance	: 15,000 ±30%pF
Sound output at 4,000Hz at 10cm*	: ≥ 80dB
Resonant Frequency	: 4,000 ±500Hz
Operating temperature	: -20°C to +70°C
Storage temperature	: -30°C to +85°C
Weight	: 2.5g

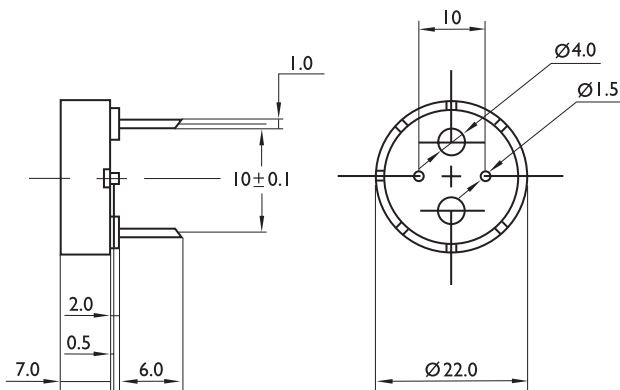
*Value applying at rated voltage (DC)

This product is compliant with the European Directive RoHS 2011/65/EU.

The RoHS directive lists in its annex a number of exceptions and our products, depending on their configuration, can utilise the following two exemptions under RoHS2 guidelines:

6(c) Copper alloy containing up to 4% lead by weight.

7(c)-I Electrical and electronic components containing glass or ceramic other than dielectric ceramic in capacitors e.g. piezoelectric devices or in a glass or ceramic compound.



Dimensions : Millimetres

Tolerance : ±0.5mm

Part Number Table

Description	Part Number
Piezo Transducer, Audio, 3VP-P, PCB Pins	MCABT-401-RC

Important Notice : This data sheet and its contents (the "Information") belong to the members of the Premier Farnell group of companies (the "Group") or are licensed to it. No licence is granted for the use of it other than for information purposes in connection with the products to which it relates. No licence of any intellectual property rights is granted. The Information is subject to change without notice and replaces all data sheets previously supplied. The Information supplied is believed to be accurate but the Group assumes no responsibility for its accuracy or completeness, any error in or omission from it or for any use made of it. Users of this data sheet should check for themselves the Information and the suitability of the products for their purpose and not make any assumptions based on information included or omitted. Liability for loss or damage resulting from any reliance on the Information or use of it (including liability resulting from negligence or where the Group was aware of the possibility of such loss or damage arising) is excluded. This will not operate to limit or restrict the Group's liability for death or personal injury resulting from its negligence. Multicomp is the registered trademark of the Group. © Premier Farnell plc 2012.

www.element14.com
www.farnell.com
www.newark.com

