



Features:

- Material : frames are nylon. Terminals are silver plated brass.
- M types are metal frames, nickel plated brass.

Specifications:

| | |
|----------------------------|-------------------------|
| Rating | : 3A 125V, 1.5A 250V AC |
| Max. contact Resistance | : 50mΩ. |
| Min. insulation Resistance | : 500V dc 100MΩ. |
| Dielectric strength | : 1,000V ac 1 minute |
| Button | : Red. |
| Housing | : Black. |

Scope

These requirements cover manually and mechanically operable special-use switches:

That is for use on direct current as well as on alternating current only.

For which the load ratings do not exceed 60 amperes at 250 volts or a lower potential and 30 amperes or 2 horsepower at 600 volts or a lower potential.

Electrical Ratings

| Item | Requirements |
|---|--|
| Rated voltage and current | (base on switch type) |
| Contact resistance (new state) | <100mΩ (5V, 1A DC) |
| Dielectric strength (new state) | >1,000V >2,500V (10mA between the contacts) |
| Insulation resistance (new state) | >100MΩ (500V DC between the open contacts) |
| Inrush current | 50A/3msec (capacitive load) |
| Electrical life endurance | >6,000 operations Volt drop : <100mV >10,000 operations |
| Temperature rise at the terminals (according to electrical life endurance) | <30°C - 6000 operations <45°C - 10,000 operations (ambient conditions : 25 ±2°C and 65 ±5%R.H) |

Mechanical Characteristics

| Item | Requirements |
|----------------------------|--|
| Actuating force | (base on switch type) |
| Operating life endurance | >100,000 operations |
| Terminal strength | >2.5kg - solder terminal >6.8kg - plug-in/screw terminal |
| Solderability of terminals | Max. 350°C/3sec (no pressure may be exerted on the terminals when soldering by hand) |

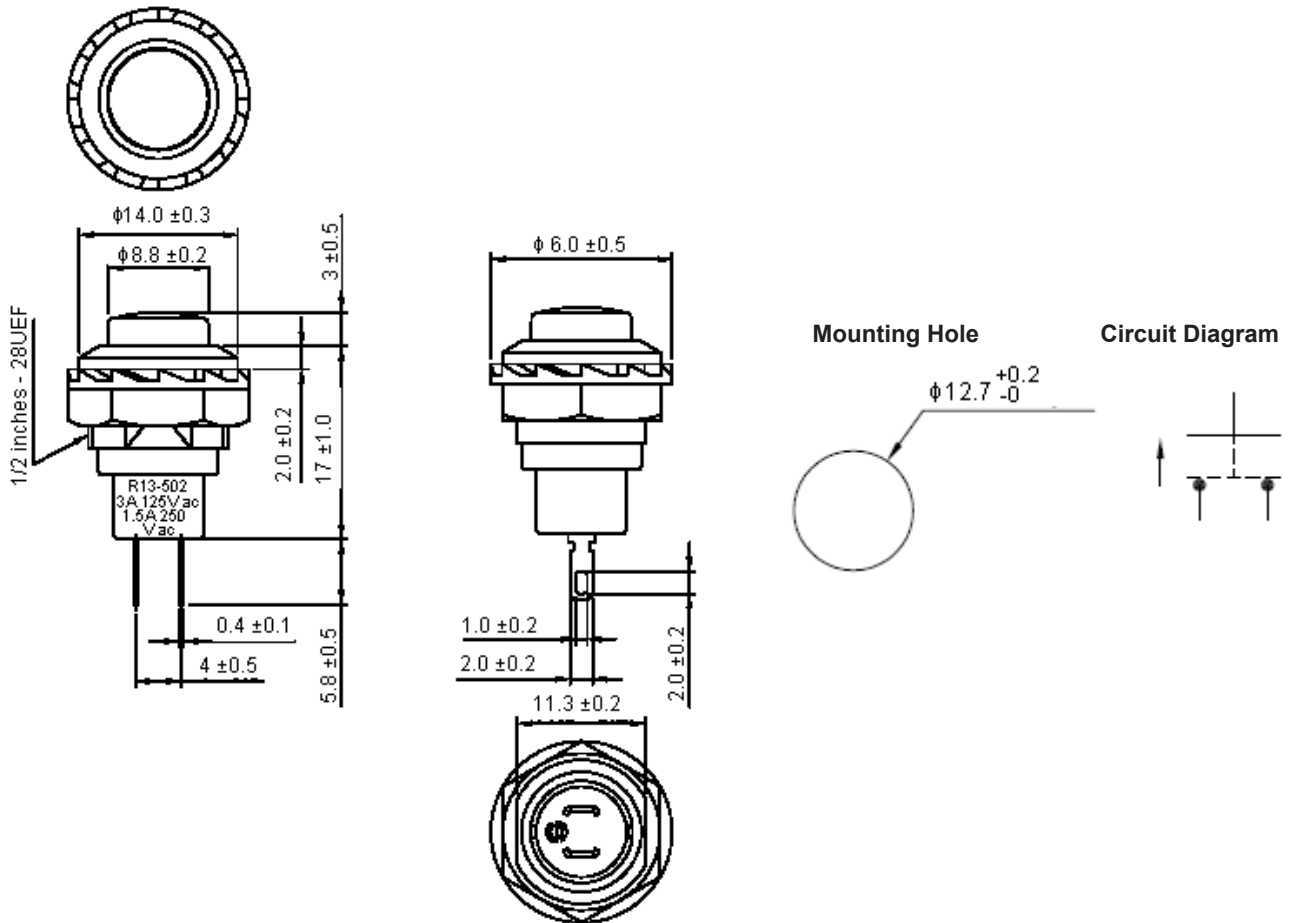
Pushbutton Switches



Environmental

| Item | Requirements |
|---------------------|--|
| Ambient temperature | 20°C to +65°C |
| Humidity | Maximum 85% |
| Salt spray test | No remarkable rust in metal parts (5% salt/35°C 24hrs) |
| Shock test | No mechanical defect or damage (100g/10msec X, Y, Z 3 times) |
| Vibration test | No mechanical defect damage (10-55Hz/1.5mm/X, Y, Z 2hrs) |

R13-502A-05-R and R13-502A-05-B



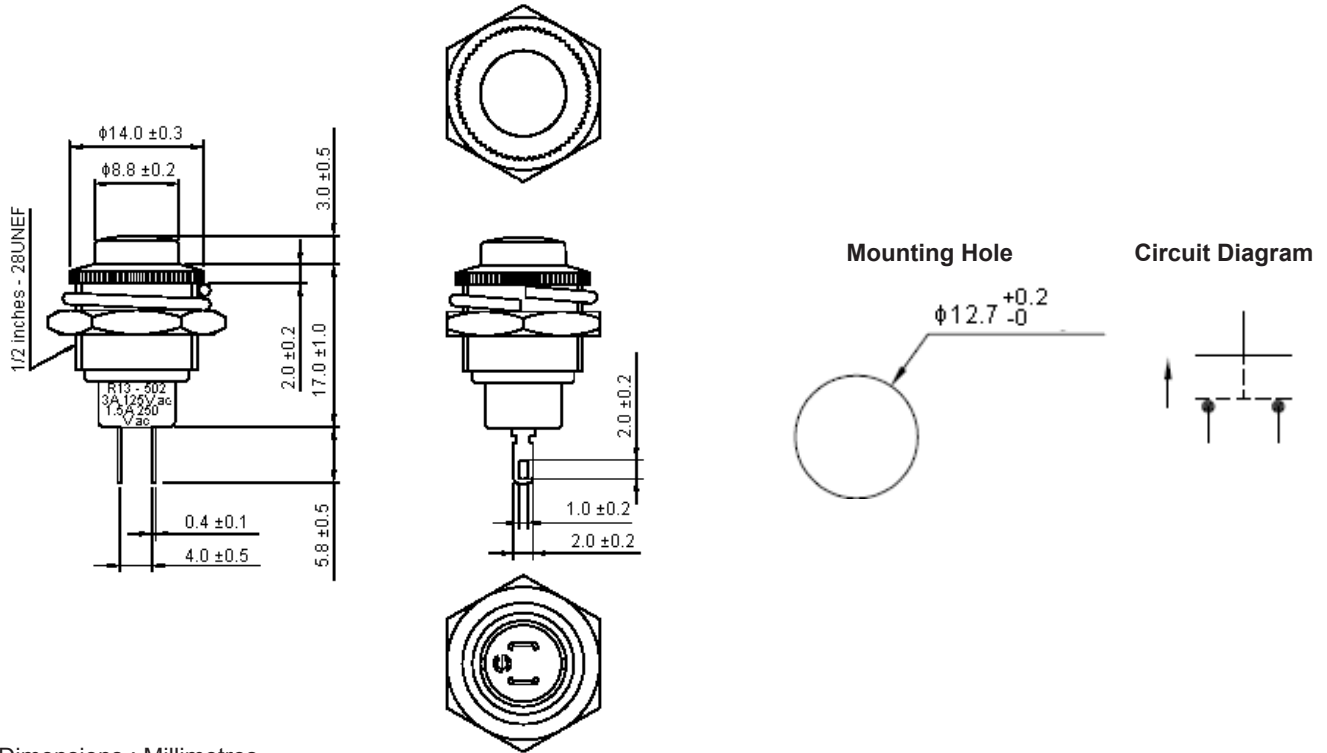
Dimensions : Millimetres



Pushbutton Switches

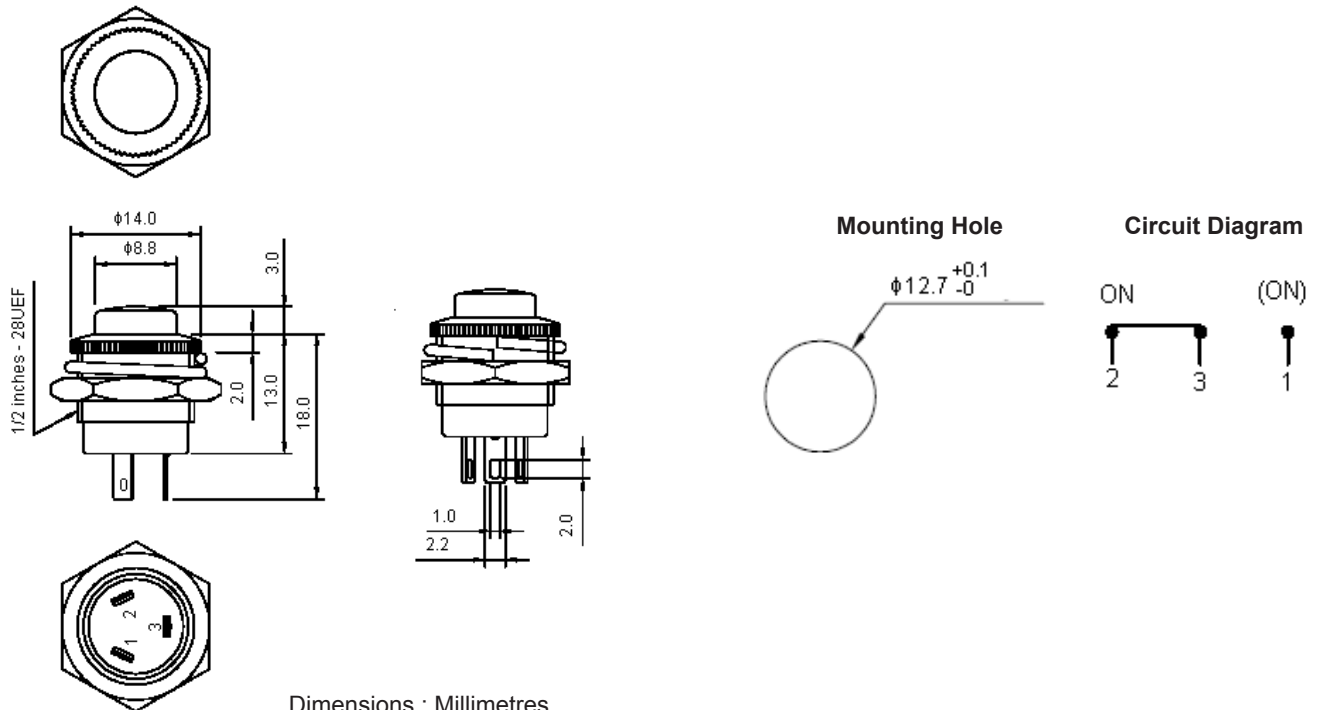


R13-502MA-05-R and R13-502MA-05-B



Dimensions : Millimetres

R13-502MC-05-R and R13-502MC-05-B



Dimensions : Millimetres

www.element14.com
www.farnell.com
www.newark.com



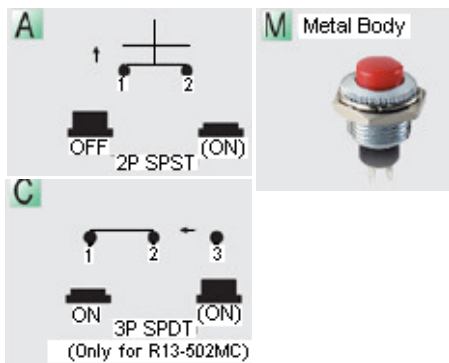
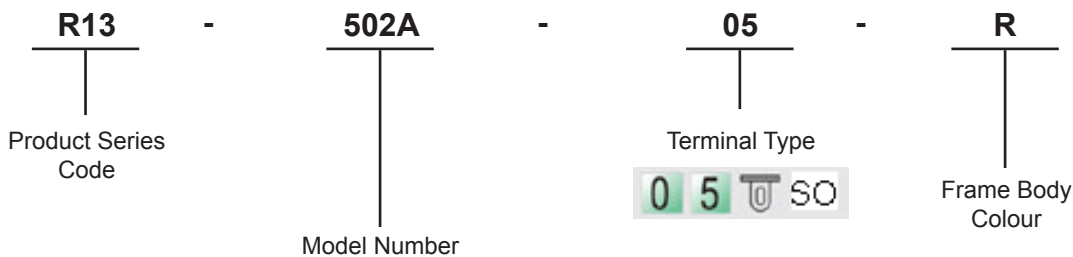
Pushbutton Switches



Part Number Table

| Description | Circuit | Part Number |
|---------------------------------|------------------|----------------|
| Switch, Red Push Button, SPST | 2P SPST OFF-(ON) | R13-502A-05-R |
| Switch, Black Push Button, SPST | | R13-502A-05-B |
| Switch, Red Push Button, SPST | 2P SPST OFF-(ON) | R13-502MA-05-R |
| Switch, Black Push Button, SPST | | R13-502MA-05-B |
| Switch, Red Push Button, SPDT | 3P SPDT ON-(ON) | R13-502MC-05-R |
| Switch, Black Push Button, SPDT | | R13-502MC-05-B |

Part Number Explanation:



Frame Body Colour : B = Black and R = Red.

Important Notice : This data sheet and its contents (the "Information") belong to the members of the Premier Farnell group of companies (the "Group") or are licensed to it. No licence is granted for the use of it other than for information purposes in connection with the products to which it relates. No licence of any intellectual property rights is granted. The Information is subject to change without notice and replaces all data sheets previously supplied. The Information supplied is believed to be accurate but the Group assumes no responsibility for its accuracy or completeness, any error in or omission from it or for any use made of it. Users of this data sheet should check for themselves the Information and the suitability of the products for their purpose and not make any assumptions based on information included or omitted. Liability for loss or damage resulting from any reliance on the Information or use of it (including liability resulting from negligence or where the Group was aware of the possibility of such loss or damage arising) is excluded. This will not operate to limit or restrict the Group's liability for death or personal injury resulting from its negligence. Multicomp is the registered trademark of the Group. © Premier Farnell plc 2012.

