



83581 Telescopic top-mounted plunger Part number 835810



- Compact dimensions
- Contact element : IP67

Part numbers

Type	Features	Function
83 581 0 Telescopic top-mounted plunger	Standard	I (Changeover)

Specifications

Conformity to standards	NFC 20030 class II
Degree of protection IEC 60529	Outer casing : IP57 Contact element : IP67

Electrical characteristics

Assigned operating current (Ie)	Standard : 8 A - 250 VAC Bi-niveau : 0,1 A - 250 VAC
Electrical endurance - Standard (operations)	8 A - 250 VAC : 40000 5 A - 250 VAC : 100000
Electrical endurance - Dual-current	This version is designed to operate both on dual-current (1 mA 4 V minimum) and medium-current (5A) circuits. However, a given product should only be used to switch one type of circuit during its working life.

Connections

Connection	Flexible leads : PVC 3x1 mm ² - Length 0.50 m - ext. Ø 2 mm (on the right or left) Cable : 3x0.75 mm ² - Length 0.50 m - ext. Ø 5 mm (on left only)
------------	--

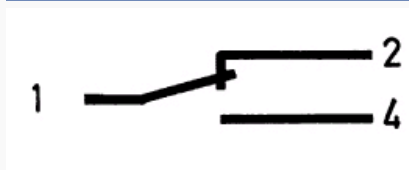
Mechanical characteristics

Minimum operating force (N)	5
Minimum total travel force (N)	20
Differential travel (mm)	1
Minimum operating travel mm	2.5
Maximum total travel (mm)	5
Mechanical life (operations)	10 ⁵
Operating temperature (°C)	-20 → +85
Weight (g)	40

Connections

Wire output on right	D
Wire output on left	G
Cable output	C

Principles



Function

Single break two-way contact element (form C : changeover)

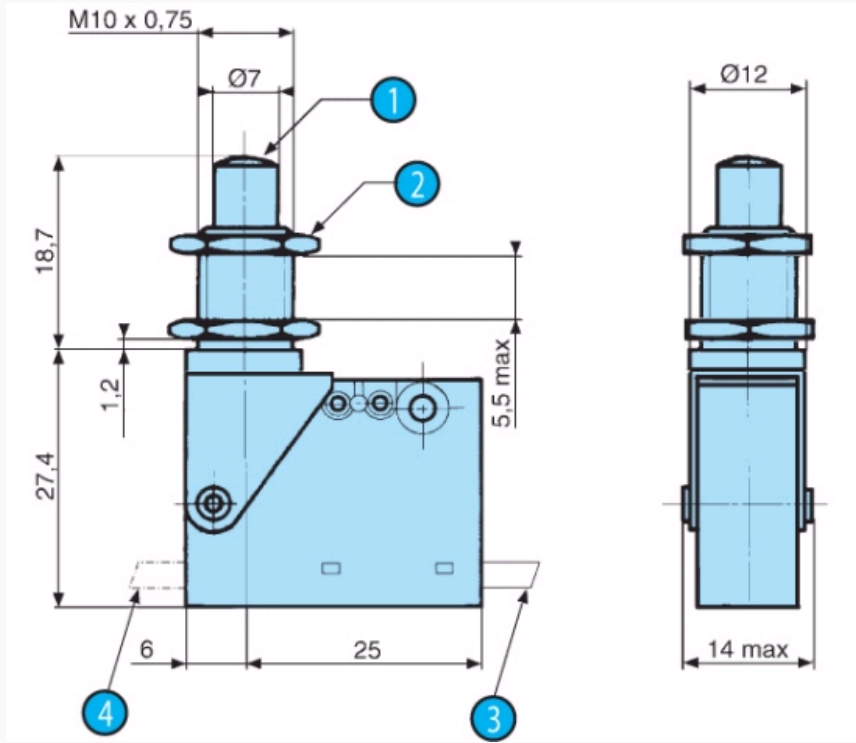
N°	Legend
1	Black (common)

②	Brown (NC)
④	Blue (NO)

Dimensions (mm)

Product

83 581 0 / 83 581 8



N°	Legend
①	R10 spherical
②	Nuts 14 across flats Thickness 2
③	Output on right
④	Output on left

Product adaptations



- Length of cable/connector
- Approvals