



838400 Standard Rotary head with momentary action Action to right and left Part number 838430



- Adjustable metal head
- 4 positions 90°
- Metal case

Part numbers

Type	Housing	Action
83 843 0 Rotary head with momentary action Action to right and left	Metal	Snap action

Specifications

Assigned insulation voltage U_i (V)	600
Thermal current I (A)	10
Use category	AC 15 : A600 DC 13 : P300
Conformity to standards	
Version	
Protection	

Connections

Saddle washer and screw	M3,5
Max. wire cross-section	
Electrical protection	
Connection	

General characteristics

Function	NO+NC
Sequence	
Snap action	

Mechanical characteristics

Minimum operating force (N)	-
Minimum operating force (cmN)	20
Minimum total travel force (N)	-
Minimum total travel force (cmN)	33
Mechanical life (operations)	10^7
Temperature limits use (°C)	-20 → +70
Weight (g)	310

Comments

Accessories for 83 843 0 (see Dimensions - Mounting accessories)
Galvanized, passivated steel lever
Thermoplastic roller
Supplied with nut, washer and locating block loose

Principles



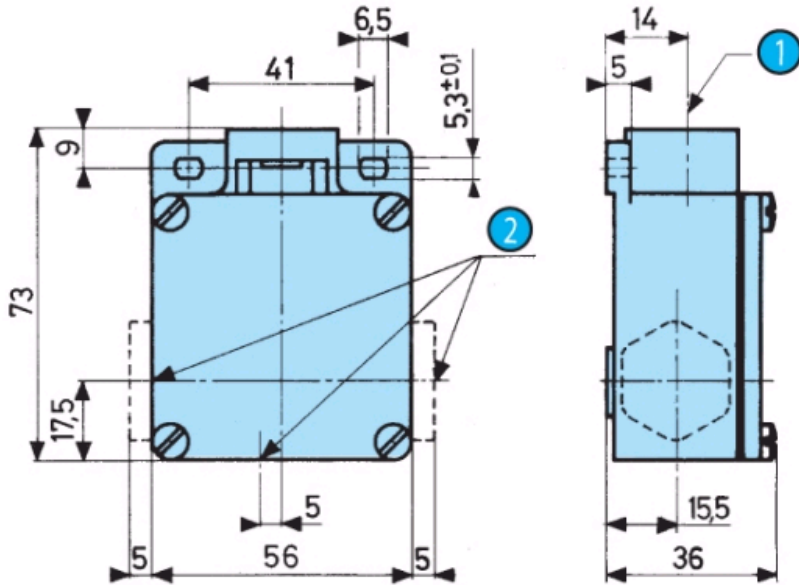
Function

Four-terminal double break two-way contact element (form Za). The contacts must be of the same polarity.

Dimensions (mm)

Product

Body

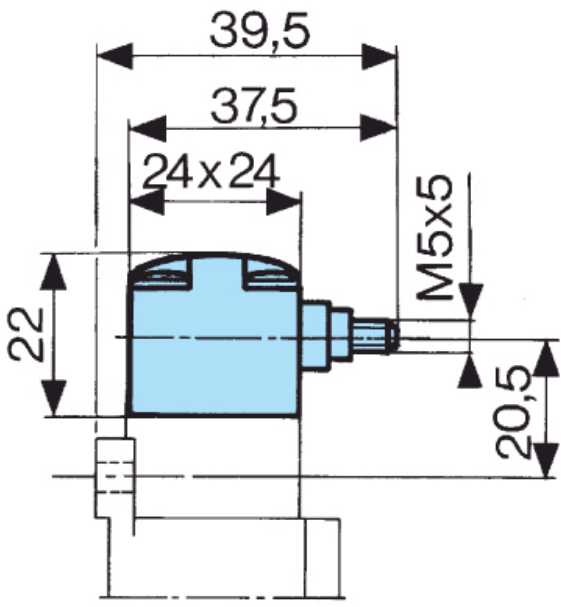


N°	Legend
①	Axis of head rotation
②	No. 13 sealing gland

Dimensions (mm)

Actuators

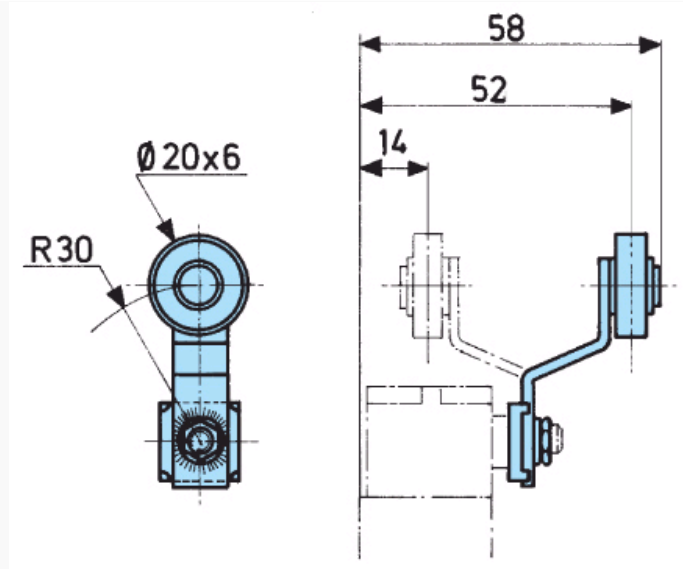
83 843 0



Dimensions (mm)

Actuators

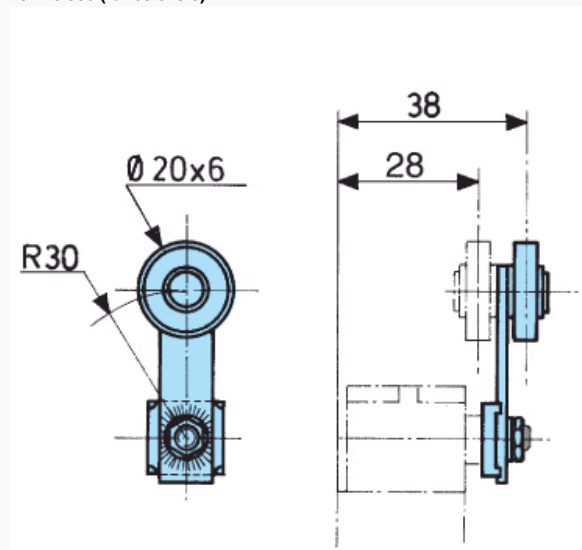
79 210 997 (for 83 843 0)



Dimensions (mm)

Actuators

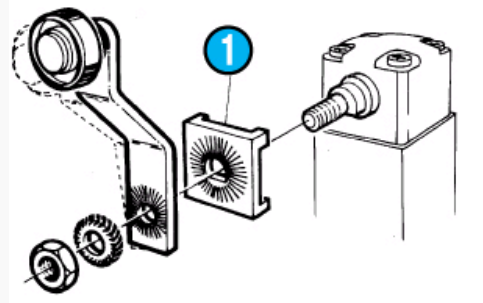
79 210 998 (for 83 843 0)



Dimensions (mm)

Actuators

Lever settings or positions dictated by direction in which block 1 is fitted

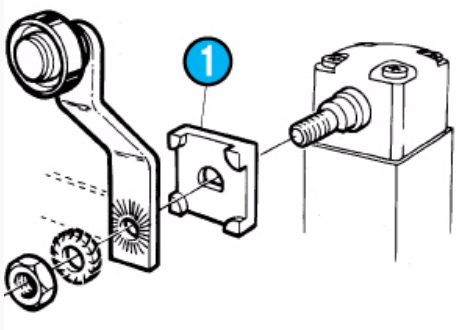


Adjustable in 6° steps

N°	Legend
1	Block 1

Dimensions (mm)

Actuators

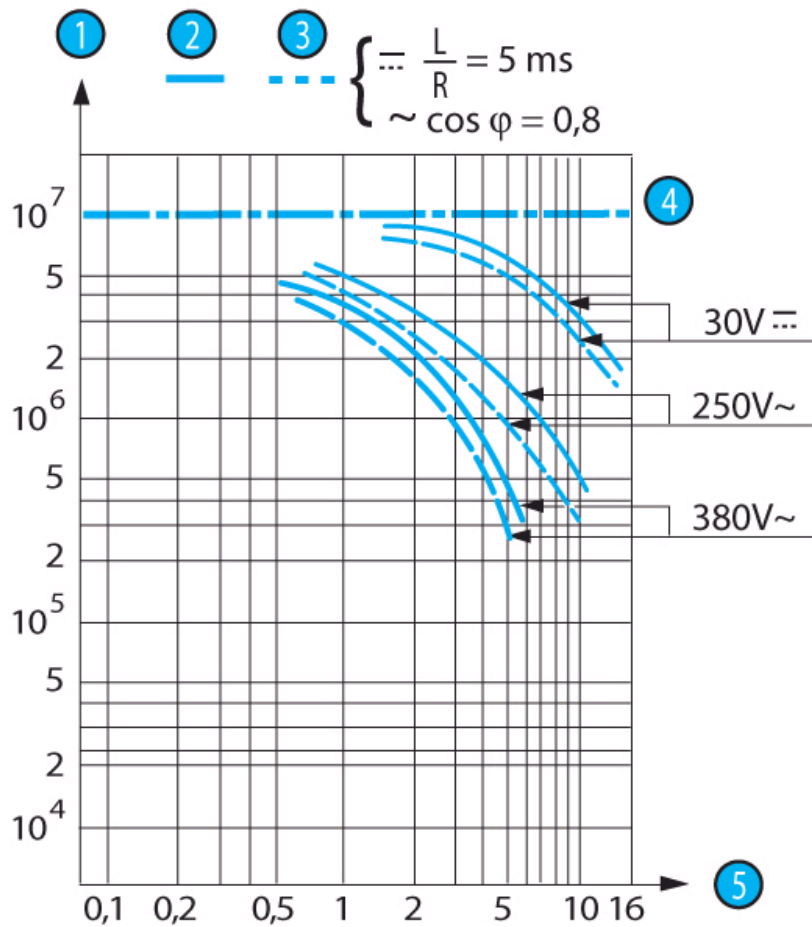


Adjustable in 90° steps



N°	Legend
1	Block 1

Curves

Operating curve for standard version



N°	Legend
1	Number of operations
2	Resistive circuit
3	Inductive circuit

	Mechanical life limit
	Current in Amps

Product adaptations



- Approvals : UL/CSA