

Product Male socket, solder termination
Area Snap-in connectors IP 40

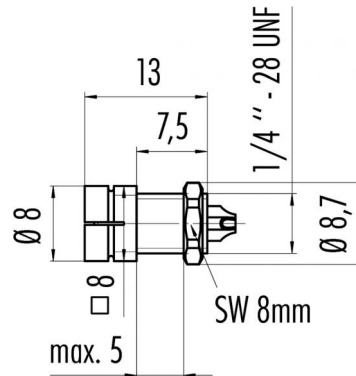
serie 709/719

Pole 3
Article number 09 9749 30 03

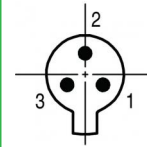
illustration



scale drawing



Contact Arrangement



| | X | Y |
|---|--------------|------|
| 1 | 1,20 - 0,70 | |
| 2 | 0,00 | 1,40 |
| 3 | -1,20 - 0,70 | |

You can find the item description and assembly instruction on the next page.

Technical data

Common values

| | |
|--------------------------|----------------------|
| Connector Design | Male socket |
| Connector locking system | Snap-in locking |
| Termination | solder |
| Wire gauge (mm) | 0,25 mm ² |
| Wire gauge (AWG) | 24 |
| Cable outlet | - |
| Upper temperature | +70 °C |
| Lower temperature | -25 °C |

Electrical values

| | |
|-----------------------|--------------------|
| Rated voltage | 60 V |
| Rated impulse voltage | 800 V |
| Pollution degree | I |
| Overvoltage category | II |
| Material group | III |
| Rated current (40°C) | 3 A |
| Volume resistivity | ≤ 3 mΩ |
| EMV compliance | not shieldable |
| Degree of protection | IP 40 |
| Mechanical operation | >100 mating cycles |

Material

| | |
|--------------------------|--------------|
| Material of contact | CuZn (brass) |
| Contact plating | Au (gold) |
| Material of contact body | PA |
| Material of housing | PA |

Cable data

| | |
|------------------------|---|
| material housing | - |
| insulation single lead | - |
| single lead structure | - |
| conductor resistance | - |

Contacts 3, Male socket, solder termination



Product Male socket, solder termination
Area Snap-in connectors IP 40

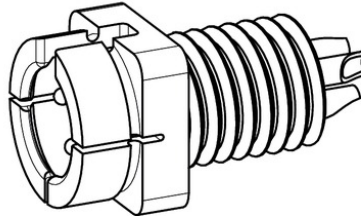
serie 709/719

Pole 3
Article number 09 9749 30 03

Date: 2013-11-06 - Page 2 of 2

Item description

Steckereinsatz
male insert



Sechskantmutter
hexagonal nut

Installation instructions / Mounting cutout

Ø 6,4

