




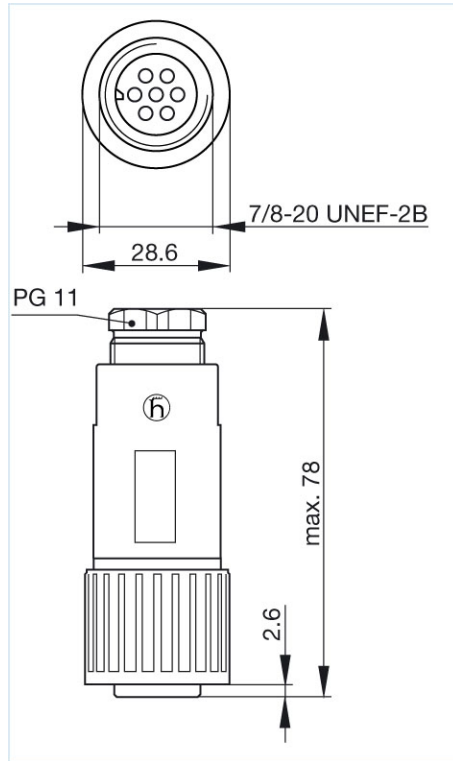
Product information CM 06 EA 14S-61 S

Industrial Connecting Solutions: Circular Connectors: MIL, DIN, Universal Connectors: MIL-C-5015 or VG 95342 Connectors (CM series): Cable socket: CM 06 EA 14S-61 S

<http://www.e-catalog.beldensolutions.com/link/57078-24228-256281-256284-24363-24364-36145/en/conf/ui/state>

| | |
|--|---|
| Name | CM 06 EA 14S-61 S |
| |  |
| | Straight cable socket, strain relief by means of a clamp |
| Delivery informations | |
| Availability | available |
| Product description | |
| Description | Straight cable socket, strain relief by means of a clamp |
| Type | CM 06 EA 14S-61 S |
| Order No. | 932 460-100 |
| Number of contacts | 6 + PE |
| Cable gland | PG 11 |
| Cable diameter | 8 mm to 10 mm |
| Conductor size | max. 1 mm ² |
| Standard | MIL-C 5015 bzw. VG 95 342 |
| Housing Color | black |
| Technical data | |
| Pin dimensions | 1.6 mm |
| Rated voltage | AC/DC 50 V |
| Rated current | 10 A |
| Contact resistance | <= 5 mOhm |
| Type of termination | solder |
| Shell size | 14S |
| Material | |
| Contact surface material | Ag |
| Contact bearer material | PA 66-GF 25 |
| Housing material | PA 66-GF 25 |
| O-Ring | NBR |
| Environmental conditions | |
| Protection class (IEC 60529) | IP 67 |
| Pollution severity | 3 |
| Temperature range | -40 °C to +90 °C |
| Inflammability class | |
| Flammability, UL standard | 94 V-1 |
| Packing unit | |
| Packaging unit | 100 pieces |
| Scope of delivery and accessories | |
| Scope of delivery | 1 cable socket, not assembled, assembly instructions |
| Accessories to order separately | can be plugged into CM 02 E 14S-61 P, CM 02 L 14S-61 P (Metall), CM 02 L 14S-61 P F (Metall); cap CM 06 SD 14S, order no. 831 621-100 |

Picture
Drawing



Belden Deutschland GmbH
Im Gewerbepark 2
58579 Schalksmühle
Germany
Phone: +49 7127/14-1806
E-Mail: icos-sales@belden.com

The information published in the websites has been compiled as carefully as possible. It is subject to alteration without notice in technical as well as in price-related/commercial respect. The complete information and data were available on user documentation. Mandatory information can only be obtained by a concrete query.