


SACC-DSI-M12MS-17CON-M16/0,5

Order No.: 1419726

<http://eshop.phoenixcontact.co.uk/phoenix/treeViewClick.do?UID=1419726>

Sensor/actuator flush-type plug, 17-pos., M12 SPEEDCON, rear/screw mounting with M16 thread, with 0.5 m halogen-free TPE litz wire, 17 x 0.14 mm²



| Commercial data | |
|--------------------------|--|
| EAN |  4 046356 533577 |
| Pack | 1 |
| Customs tariff | 85444290 |
| Gross weight in pieces | 36.60 g |
| Country of Origin | DE |
| Catalog page information | Page 244 (C-2-2013) |

Product notes

WEEE/RoHS-compliant since:
29/09/2009



Please note that the data given here has been taken from the online catalog. For comprehensive information and data, please refer to the user documentation at <http://www.download.phoenixcontact.com>. The General Terms and Conditions of Use apply to Internet downloads.

Technical data

Dimensions

| | |
|-----------------|-------|
| Length of cable | 0.5 m |
|-----------------|-------|

Ambient conditions

| | |
|----------------------|------|
| Degree of protection | IP67 |
|----------------------|------|

General

| | |
|------------------------|---------------------------------------|
| Rated current at 40°C | 1.5 A |
| Rated voltage | 30 V |
| Number of positions | 17 |
| Contact resistance | ≤ 3 mΩ |
| Insulation resistance | ≥ 100 MΩ |
| Coding | A - standard |
| Standards/regulations | M12 connector IEC 61076-2-101 |
| Status display | No |
| Surge voltage category | II |
| Pollution degree | 3 |
| Connection method | Individual wires |
| Mounting type | Rear mounting M16 x 1.5 With flat nut |

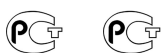
Material

| | |
|---|------------------------------|
| Inflammability class according to UL 94 | V0 |
| Contact material | CuZn |
| Contact surface material | Au |
| Contact carrier material | PA 66 |
| Material, knurls | Zinc die-cast, nickel-plated |
| Sealing material | NBR |

Cable

| | |
|-------------------------------|--------------------------|
| Cable type | TPE litz wire |
| Conductor cross section | 0.14 mm ² |
| AWG signal line | 26 |
| Wire colors | Color-coded DIN 47100 |
| Material conductor insulation | TPE |
| Conductor material | Tin-plated Cu litz wires |

Certificates



Certification

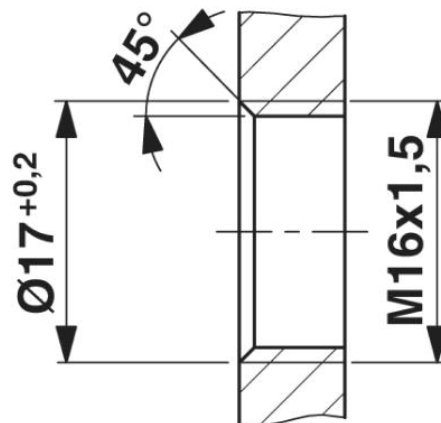
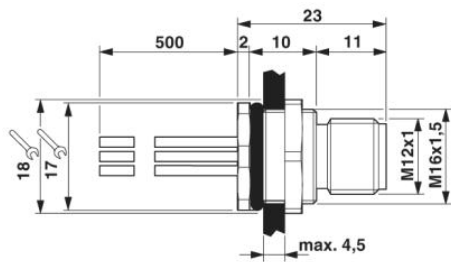
GOST

Certifications applied for:

Certification Ex:

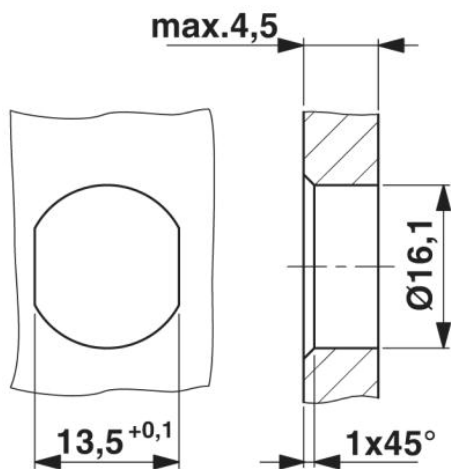
Drawings

Dimensioned drawing

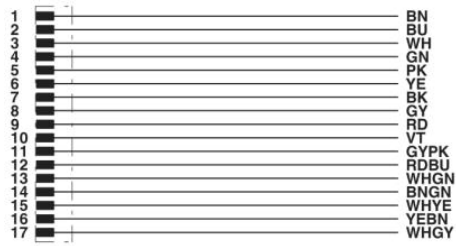


Housing cutout for M16 fastening thread, mounting panel with thread

Housing cutout for M16 fastening thread, mounting panel with feed-through hole (alternatively with surface as protection against rotation)

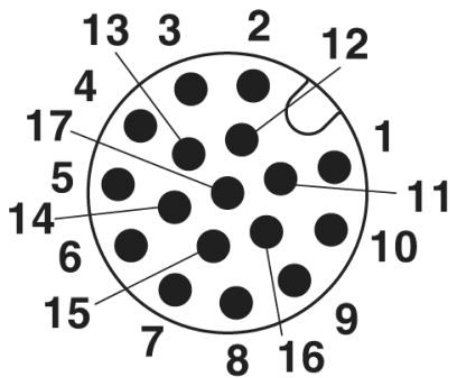


Circuit diagram



Contact assignment of the M12 plug

Schematic diagram



Pin assignment M12 male connector, 17-pos., male side view

Address

PHOENIX CONTACT Ltd
Halesfield 13
Telford / Shropshire / TF7 4PG,England
Phone 01952 681 700
Fax 01952 681 799
<http://www.phoenixcontact.co.uk>



Phoenix Contact Ltd.
Technical modifications reserved;