


SACC-E-FS-17CON-M16/0,5 SCO

Order No.: 1556294

<http://eshop.phoenixcontact.co.uk/phoenix/treeViewClick.do?UID=1556294>

Sensor/actuator flush-type socket, 17-pos., M12 SPEEDCON, front/
screw mounting with M16 thread, with 0.5 m PVC litz wire, 17 x 0.14
mm²



Commercial data	
EAN	 4 046356 176774
Pack	1
Customs tariff	85444290
Gross weight in pieces	33.50 g
Country of Origin	DE
Catalog page information	Page 233 (C-2-2013)

Product notes

WEEE/RoHS-compliant since:
29/11/2006



Please note that the data given here has been taken from the online catalog. For comprehensive information and data, please refer to the user documentation at <http://www.download.phoenixcontact.com>. The General Terms and Conditions of Use apply to Internet downloads.

Technical data**Dimensions**

Length of cable	0.5 m
-----------------	-------

Ambient conditions

Ambient temperature (operation)	-25 °C ... 85 °C (Plug / socket)
Degree of protection	IP67

General

Rated current at 40°C	1.5 A
Rated voltage	30 V
Number of positions	17
Contact resistance	≤ 3 mΩ
Insulation resistance	≥ 100 MΩ
Coding	A - standard
Standards/regulations	M12 connector IEC 61076-2-101
Signal type/category	Universal
Status display	No
Surge voltage category	II
Pollution degree	3
Connection method	Individual wires
Mounting type	Front mounting M16 x 1.5

Material

Inflammability class according to UL 94	V0
Contact material	CuZn
Contact surface material	Ni/Au
Contact carrier material	PA 66
Material, knurls	Zinc die-cast, nickel-plated
Sealing material	NBR

Cable

Cable type	TPE litz wire
Conductor cross section	0.14 mm ²
AWG signal line	26
Wire colors	Color-coded DIN 47100
Material conductor insulation	TPE
Conductor material	Tin-plated Cu litz wires
Ambient temperature (operation)	-25 °C ... 85 °C (cable, fixed installation)

Certificates



Certification

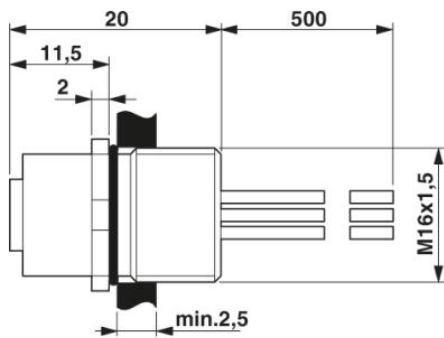
GOST, UL Recognized

Certifications applied for:

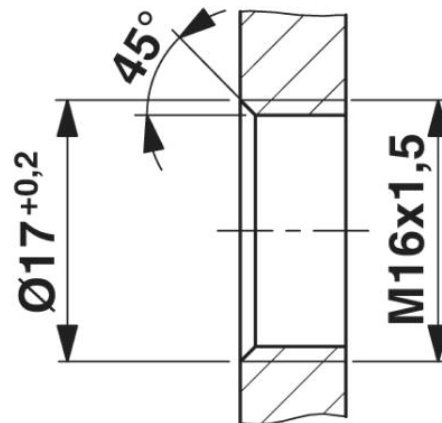
Certification Ex:

Drawings

Dimensioned drawing

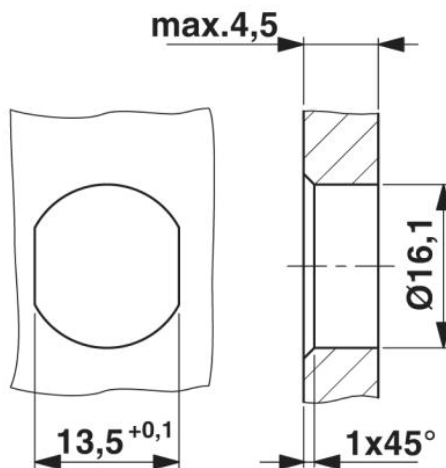


M12 flush-type connector

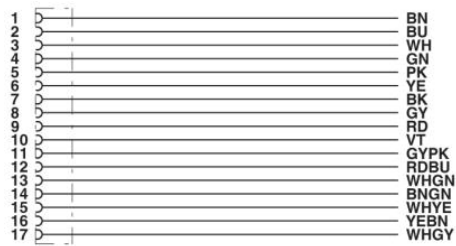


Housing cutout for M16 fastening thread,
mounting panel with thread

Housing cutout for M16 fastening thread, mounting panel with
feed-through hole (alternatively with surface as protection
against rotation)

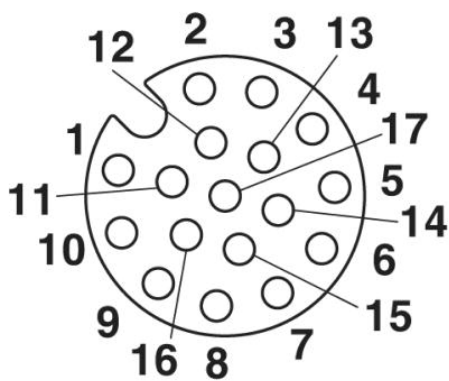


Circuit diagram



Contact assignment of the M12 socket

Schematic diagram



Pin assignment M12, 17-pos., socket side view

Address

PHOENIX CONTACT Ltd
Halesfield 13
Telford / Shropshire / TF7 4PG,England
Phone 01952 681 700
Fax 01952 681 799
<http://www.phoenixcontact.co.uk>



Phoenix Contact Ltd.
Technical modifications reserved;