

A N T E N N A R O T A T O R

A durable, precision-built rotator designed to turn and accurately position even the largest TV/FM antenna, ensuring the best possible TV picture and FM reception.



FEATURES:

- Precision cut steel gears hardened for long service life
- Rugged, one-piece cast aluminum housing designed for greatest strength in high stress areas
- Large bearing surfaces and strong, reinforced mast for lateral load support
- Ball bearing provided for thrust (vertical) load
- High torque - easily handles largest TV/FM antenna arrays
- Built to take high winds and harshest weather extremes - water tight seal, fully lubricated drive train
- Control designed for smoother, quieter operation
- Optional TB-105 Support Bearing available for extra-rigid installation (see reverse)
- UL and CSA listed

U-105 Features:

- Completely automatic control; indicator accurately shows orientation of antenna

U-106 Features:

DIGITAL DISPLAY CONTROLLER

- Microprocessor controller with 18 functions
- Digital display indicates antenna position during operation

INFRARED REMOTE CONTROL

- 16 function soft-touch key pad remote
- Control antenna directions with the touch of a button from your armchair to change channels easily

Product & Application Information

CONTROL UNIT:

- Power Consumption68W @ 120 Vac, 60 Hz
- Output.....18 Vac±5%
- Dimensions.....7"W x 5.875"D x 2.375"H

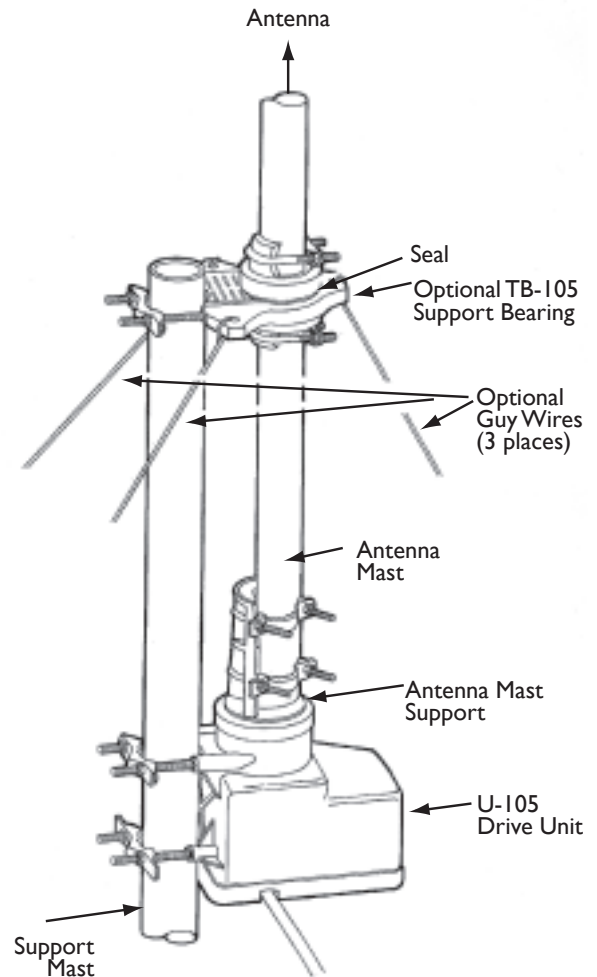
ROTATOR DRIVE UNIT:

- Range of Rotation.....360° + 5° - 0 (w/ Mechanical Stop)
- Rotation Time70 Seconds
- Rotation Torque8 Ft.-Lbs.
- Vertical Load Capacity100 Lbs. (max.)
- Support Mast Size.....1.125" - 2" Dia.
- Connecting Cable (Not Supplied).....20 AWG, 3-Conductor
- Weight (Drive plus Control Unit).....10 Lbs.

SUPPORT BEARING:

- For use with U-105 and U-106 Antenna Rotators
- Provides extra support for U-105 and U-106 rotator drive unit bearings
- All ball bearing design
- Relieves wear and tear on rotator imposed by wind loads
- Weather-tight seal protects TB-105 Support Bearing against the elements
- All mounting hardware supplied
- The optional TB-105 Support Bearing is available for use with U-105 and U-106 Rotators when extra sturdy installation is desired*

*You must cut/remove the tab from the drive unit when using TB-105.



TB-105

