

HALOTRONIC-COMPACT – HTM, HTN

Electronic transformers for low-voltage halogen lamps



Areas of application

- Effect and accent lighting
- Living rooms
- Object lighting
- Conference rooms
- Restaurants
- Recessed and surface-mounted furniture fixtures
- Shop lighting
- Event rooms

Product benefits

- Dimmable on the leading edge (without HTN) and trailing edge
- Very low power loss thanks to high efficacy
- Strain relief suitable for different cable types (HTM)
- Suitable for space-critical installation thanks to compact functional design
- Extremely compact transformer for highly space-critical installation conditions (HTN)
- Protective operation throughout the entire partial-load range for long lamp life

Product features

- Line frequency: 50...60 Hz
- RI suppression: to EN 55015 (A1: 2007)/CISPR 15, EN 55022
- Line harmonics according to EN 61000-3-2
- Immunity according to EN 61547
- Safety: to EN 61347
- Short-circuit protection, overload protection, overtemperature protection: electronically reversible
- Electrical isolation between the primary side and the secondary side
- Switching between electronic transformer and lamp not permitted
- Energy efficiency: $\geq 91\%$ (according to ErP regulation 2012/1194/EC)

Product family datasheet

Technical data

Electrical data

| Product description | Lamp wattage | Line current | Nominal voltage | Operating frequency |
|---------------------|--------------|----------------------|-----------------|----------------------|
| HTM 70/230...240 | 20...70 W | 0.27 A ¹⁾ | 230...240 V | 52 kHz ²⁾ |
| HTM 105/230...240 | 35...105 W | 0.41 A ¹⁾ | 230...240 V | 43 kHz ²⁾ |
| HTM 150/230...240 | 50...150 W | 0.57 A ¹⁾ | 230...240 V | 40 kHz ²⁾ |
| HTN 75/230...240 I | 20...75 W | 0.32 A ¹⁾ | 230...240 V | 50 kHz ²⁾ |

| Product description | Output voltage |
|---------------------|----------------------|
| HTM 70/230...240 | 11.2 V ³⁾ |
| HTM 105/230...240 | 11.3 V ⁴⁾ |
| HTM 150/230...240 | 11.4 V ⁵⁾ |
| HTN 75/230...240 I | 11.5 V ⁶⁾ |

¹⁾ Effectively

²⁾ Approximately

³⁾ 70 W

⁴⁾ 105 W

⁵⁾ 150 W

⁶⁾ 75 W

Dimensions & weight

| Product description | Length | Width | Height | Mounting hole spacing, width |
|---------------------|----------|---------|---------|------------------------------|
| HTM 70/230...240 | 108.0 mm | 52.0 mm | 33.0 mm | - |
| HTM 105/230...240 | 108.0 mm | 52.0 mm | 33.0 mm | - |
| HTM 150/230...240 | 153.0 mm | 54.0 mm | 36.0 mm | 15.0 mm |
| HTN 75/230...240 I | 104.0 mm | 33.0 mm | 22.0 mm | - |

| Product description | Cable cross-section, input side | Cable cross-section, output side | Wire preparation length, input side | Wire preparation length, output side |
|---------------------|---------------------------------|----------------------------------|-------------------------------------|--------------------------------------|
| HTM 70/230...240 | 2.5 mm ² | 2.5 mm ² | 12 mm ¹⁾ | 12 mm ¹⁾ |
| HTM 105/230...240 | 2.5 mm ² | 2.5 mm ² | 12 mm ¹⁾ | 12 mm ¹⁾ |
| HTM 150/230...240 | | | 12 mm ¹⁾ | 12 mm ¹⁾ |
| HTN 75/230...240 I | | | 10 mm ¹⁾ | 10 mm ¹⁾ |

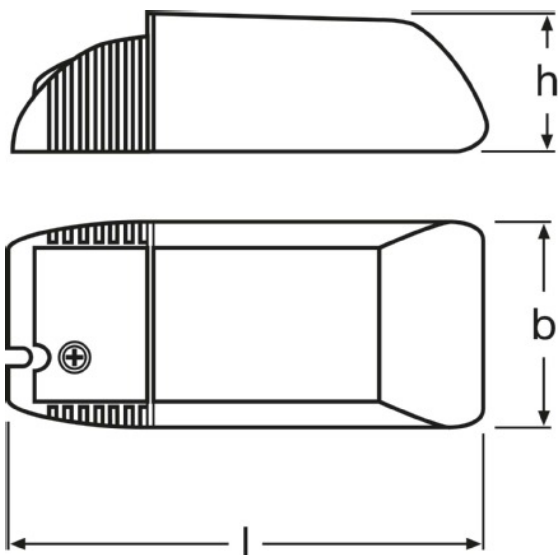
| Product description | Product weight |
|---------------------|----------------|
| HTM 70/230...240 | 110.00 g |
| HTM 105/230...240 | 125.00 g |
| HTM 150/230...240 | 185.00 g |

Product family datasheet

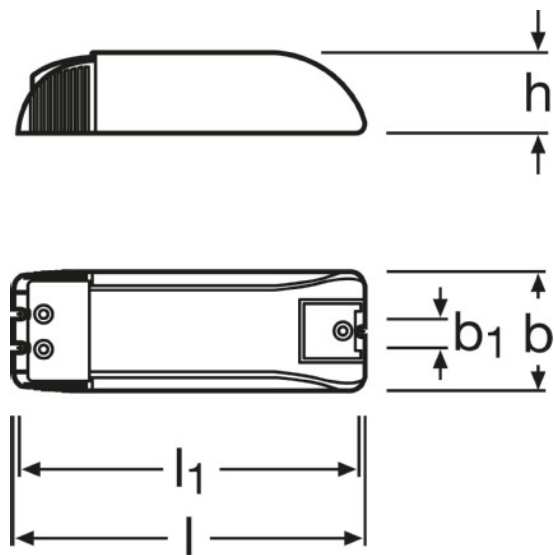
| Product description | Product weight |
|---------------------|----------------|
| HTN 75/230...240 l | 68.00 g |

¹⁾ Cable sheath

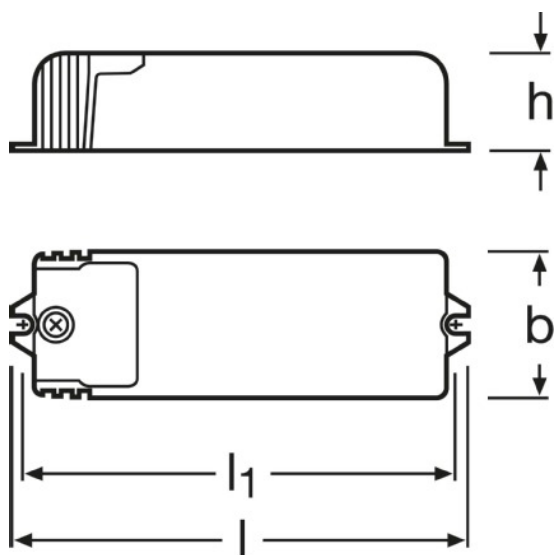
Produkt Strichzeichnungen (vermasst)



Product line drawing
HTM 70/230...240 | HTM 105/230...240



Product line drawing
HTM 150/230...240



Product line drawing
HTN 75/230...240 |

Product family datasheet

Temperatures

| Product description | Ambient temperature range |
|---------------------|---------------------------|
| HTM 70/230...240 | 0...+50 °C |
| HTM 105/230...240 | 0...+45 °C |
| HTM 150/230...240 | 0...+45 °C |
| HTN 75/230...240 I | 0...+50 °C |

Additional product data

| Product description | Design / version |
|---------------------|-----------------------------|
| HTM 70/230...240 | Compact with cable clamp |
| HTM 105/230...240 | Compact with cable clamp |
| HTM 150/230...240 | Compact with cable clamp |
| HTN 75/230...240 I | Very small with cable clamp |

Capabilities

| Product description | Dimmer |
|---------------------|--|
| HTM 70/230...240 | Trailing- or leading-edge phase control for inductive load dimmers |
| HTM 105/230...240 | Trailing- or leading-edge phase control for inductive load dimmers |
| HTM 150/230...240 | Trailing- or leading-edge phase control for inductive load dimmers |
| HTN 75/230...240 I | Trailing-edge phase control |

Certificates & standards

| Product description | Approval marks – approval | Standards |
|---------------------|---------------------------|---------------------------------|
| HTM 70/230...240 | VDE | acc. to EN 55015:2006 + A1:2007 |
| HTM 105/230...240 | VDE | acc. to EN 55015:2006 + A1:2007 |

Product family datasheet

| Product description | Approval marks – approval | Standards |
|---------------------|---------------------------|---------------------------------|
| HTM 150/230...240 | VDE | acc. to EN 55015:2006 + A1:2007 |
| HTN 75/230...240 I | VDE | acc. to EN 55015:2006 + A1:2007 |

Application advice

For more detailed application information and graphics please see product datasheet.









Sales and Technical Support

Sales and Technical Support www.osram.com

Country specific information

| Product description | Product code | METEL code | SEG number | STK number | UK Org |
|---------------------|---------------|------------|------------|------------|--------|
| HTM_70/230-240 | 4050300442310 | OSRHTM70 | 5280327 | 4031017 | - |
| HTM 105/230-240 | 4050300442334 | OSRHTM105 | 5280330 | 4031020 | - |
| HTM 150/230-240 | 4050300581415 | OSRHTM150 | 5280333 | 4031030 | - |
| HTN 75/230-240 I | 4008321073037 | OSRHTN75I | 5280325 | 4030201 | - |

Download Data

| File | |
|---|---|
|  | Addon Technical Information DUMMY |
|  | Brochures HALOTRONIC MOUSE HTM |
|  | Certificates EMC-Marks approval |
|  | Certificates ENEC-Marks approval HTi 105 DIM |
|  | Declarations of conformity Declaration of conformity HTI DALI 150 DIM |
|  | Installation/Operation notice Technical guide - HALOTRONIC for low-voltage halogen lamps |
|  | Installation/Operation notice HALOTRONIC Manual |
|  | CAD data 3-dim 108x52x33 9900021 |

Product family datasheet

| | |
|---|---|
|  | CAD data 3-dim 108x52x33 9900021 |
|  | CAD data 3-dim 108x52x33 9900021 |
|  | CAD data PDF 108x52x33 9900021 |
|  | Addon Technical Information DUMMY |
|  | Brochures DECOSTAR product range |
|  | Brochures HALOTRONIC NANO HTN |
|  | Certificates ENEC-Marks approval |
|  | Addon Technical Information DUMMY |
|  | Addon Technical Information ATI HTM 150230-240 (GB) |
|  | CAD data 3-dim HTM 150 |
|  | CAD data 3-dim HTM 150 |
|  | Addon Technical Information DUMMY |
|  | Addon Technical Information ATI HTN 75230-240 I (GB) |
|  | CAD data 3-dim 98(104)x33x22 9900005 |
|  | CAD data 3-dim 98(104)x33x22 9900005 |
|  | CAD data 3-dim 98(104)x33x22 9900005 |
|  | CAD data PDF 98(104)x33x22 9900005 |

Logistical Data

| Product code | Product description | Packaging unit (Pieces/Unit) | Dimensions (height x width x length) | Volume | Gross weight |
|---------------|----------------------|------------------------------|--------------------------------------|----------------------|--------------|
| 4050300442327 | HTM 70/230...240 | Shipping carton box 20 | 229 mm x 94 mm x 270 mm | 5.81 dm ³ | 2436.00 g |
| 4050300442341 | HTM 105/230...240 | Shipping carton box | 229 mm x 94 mm x 270 mm | 5.81 dm ³ | 2736.00 g |

Product family datasheet

| | | | | | |
|---------------|----------------------|------------------------------|----------------------------|----------------------|-----------|
| | | 20 | | | |
| 4050300581422 | HTM 150/230...240 | Shipping carton box 10 | 166 mm x 98 mm x 276 mm | 4.49 dm ³ | 2046.50 g |
| 4008321073044 | HTN 75/230...240 I | Shipping carton box 20 | 179 mm x 75 mm x 235 mm | 3.15 dm ³ | 1692.00 g |

The mentioned product code describes the smallest quantity unit which can be ordered. One shipping unit can contain one or more single products. When placing an order, for the quantity please enter single or multiples of a shipping unit.

Disclaimer

Subject to change without notice. Errors and omission excepted. Always make sure to use the most recent release.