

## NEW! GST 160 CE / BCE Professional jigsaw





Perfect control for precise cuts



Part Number	Description	Description	Nett £	RRP. (ex Vat)
0601517070	GST 160 CE 240V	160mm 800W Barrel handle jigsaw in L-BOXX	£176.00	£220.00
0601518060	GST 160 BCE 110V	160mm 800W Bow handle jigsaw in L-BOXX	£176.00	£220.00
0601518070	GST 160 BCE 240V	160mm 800W Bow handle jigsaw in L-BOXX	£176.00	£220.00

# Q4 Sales Brief : GST 160 CE / BCE Professional

## Current range overview

GST 90 BE Professional	GST 25 M Professional	GST 150 CE/BCE Professional	GST 160 CE/BCE Professional
			
Top-class convenience in the entry level class	Precise sawing in metal – with a system	The most powerful in their price class	Perfect control for precise cuts
90 mm in wood	80 mm in wood	150 mm in wood	160 mm in wood
2.3kg	2.7 kg	2.6 / 2.6 kg	2.2 / 2.3 kg
£123.00 RRP	£154.00 RRP	£154.00 RRP	£220.00 RRP

## 5 reasons why professional tradesmen would want the new GST 160 BE/ BCE Professional jig saw:

1. Excellent control
2. Optimized blade guiding system
3. Powerful high performance
4. Clear line of sight
5. Best service



restart  
protection



# Q4 Sales Brief : GST 160 CE / BCE Professional

## 1. Excellent control



restart  
protection



Industry leading compact design and ergonomics  
= Outstanding handling

# Q4 Sales Brief : GST 160 CE / BCE Professional

## 1. Excellent control



restart  
protection



+ Very small grip diameter: 206 mm

+ Extremely low vibration



Industry leading compact design and ergonomics  
= Outstanding handling

## 2. Optimized blade guiding system

### New compared GST 140 CE / BCE

- 1. New one hand SDS blade change**
  - for greater convenience\*
- 2. Optimized SDS footplate bevel function**
  - easy and reliable readjustment to 90°\*
- 3. Improved double-roller blade guiding system**
  - more control to follow the line precisely\*
- 4. More stability for cuts near edges**
  - due to improved footplate shoe\*
- 5. More power / optimized electronics (including overload protection\*\*)**
  - to increase control for demanding applications\*

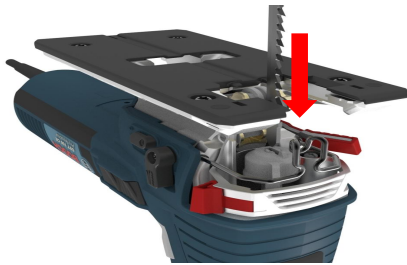


\* See appendix

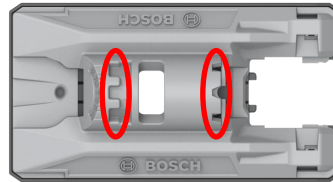
\*\* Overload protection only active in speed wheel level 6

# Q4 Sales Brief : GST 160 CE / BCE Professional

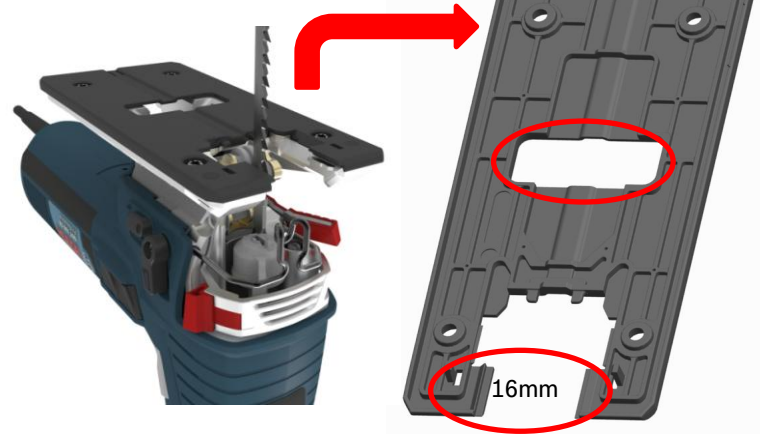
## 2. Optimized blade guiding system



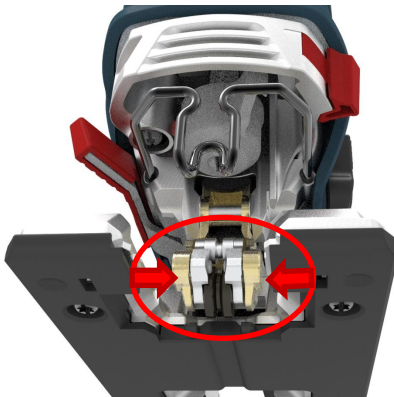
**One-hand SDS blade change:**  
More convenient blade change



**Optimized SDS footplate level function:**  
ensures easy and reliable readjustment to 90°



**Optimized footplate cover:**  
Most precise cuts near corners and edges



**Improved double roller blade guiding system:**  
More control for precise cutting lines



# Q4 Sales Brief : GST 160 CE / BCE Professional

## 3. Powerful high performance

Technical Data	GST 160 BCE
<b>Power (watt)</b>	<b>800</b>
<b>Weight (kg)</b>	2,3
<b>Constant Electronic</b>	<b>yes</b>
<b>Variable Speed</b>	yes
<b>Gas Pedal Function</b>	yes
<b>Stroke Rate per min.</b>	800 - 3000
<b>Stroke Length in mm</b>	26
<b>Orbital Action</b>	yes

**Powerful motor with optimized electronics**  
constant cutting speed even for demanding applications

Technical Data	GST 160 CE
<b>Power (watt)</b>	<b>800</b>
<b>Weight (kg)</b>	2,2
<b>Constant Electronic</b>	<b>yes</b>
<b>Variable Speed</b>	yes
<b>Gas Pedal Function</b>	no
<b>Stroke Rate per min.</b>	800 - 3000
<b>Stroke Length in mm</b>	26
<b>Orbital Action</b>	yes



restart protection





# Q4 Sales Brief : GST 160 CE / BCE Professional

## 4. Clear line of sight

Technical Data	GST 160 BCE
Dust Blower	yes
Light	yes
Precision Control	yes
Anti-Splinter insert	yes
Dust Port	yes



Technical Data	GST 160 CE
Dust blower	yes
Light	yes
Precision Control	yes
Anti-Splinter insert	yes
Dust Port	yes



**LED light** – for better vision when making intricate cuts

**Blower function** keeps line of cut dust free.



### Power Tools



**BOSCH**

## 5. Best service

		<b>Professional Service</b>
<b>3 years</b> Tool Warranty	<b>2 years</b> Battery Premium Service	 <b>BOSCH</b>

3 years Tool Warranty for all professional blue power tools.  
2 years Battery Premium Service for all professional blue Bosch lithium-ion batteries including chargers. Registration within 4 weeks of purchase at [www.bosch-professional.com/warranty](http://www.bosch-professional.com/warranty)

3 year warranty offer requiring

- Easy on-line registration of tool with part and serial number
- Provision of sales receipt and registration certificate when batteries are sent in for service

**Scope of services:** standard (material & manufacturing defect) PLUS wear & tear

**Handling process:** registration via internet within 4 weeks of purchase

**Terms & conditions apply:** see these at [www.bosch-professional.com/warranty](http://www.bosch-professional.com/warranty)

Note: Not valid for industrial tools/use and Nickel batteries.

# Q4 Sales Brief : GST 160 CE / BCE Professional

## Technical data – GST 160 BE

Technical Data	GST 160 CE
Power (watt)	800
Weight (kg)	2,2
Constant Electronic	yes
Variable Speed Dial	yes
Gas Pedal Function	no
Stroke Rate per min.	800 - 3000
DOC	160mm
Stroke Length in mm	26
Orbital Action	yes
Blade Change	1 hand SDS
Footplate Adjustment	SDS
Dust Blower	yes
Light	yes
Precision Control	yes
Anti-Splinter insert	yes
Restart Protection	yes
Dust Port	yes



### Power Tools



# Q4 Sales Brief : GST 160 CE / BCE Professional

## Technical data – GST 160 BE

**Counterbalance** – very compact mechanism to reduce vibration

NEW

**New one hand SDS saw blade change** Fast and convenient. No need to touch hot blades.

**LED light** – for better vision when making intricate cuts

**Precision control** optimized double roller for user controlled blade guidance

NEW

**Blower function** keeps line of cut dust free.

**Powerful motor with optimized electronics** constant cutting speed even for demanding applications

NEW

**Speed pre-select** perfect stroke rate in any material

**Metal footplate with improved plastic cover**

NEW

Decreased work piece friction and better controlled cutting near edges

**Improved SDS footplate** tool-less bevel adjustment with new mechanism ensures perpendicularity of blade to work piece in standard position

NEW



# Q4 Sales Brief : GST 160 CE / BCE Professional

## Technical data – GST 160 BCE

Technical Data	GST 160 BCE
<b>Power (watt)</b>	<b>800</b>
<b>Weight (kg)</b>	<b>2,3</b>
<b>Constant Electronic</b>	<b>yes</b>
<b>Variable Speed Dial</b>	<b>yes</b>
<b>Gas Pedal Function</b>	<b>yes</b>
<b>Stroke Rate per min.</b>	<b>800 - 3000</b>
<b>Stroke Length in mm</b>	<b>26</b>
<b>Orbital Action</b>	<b>yes</b>
<b>Blade Change</b>	<b>1 hand SDS</b>
<b>Footplate Adjustment</b>	<b>SDS</b>
<b>Dust Blower</b>	<b>yes</b>
<b>Light</b>	<b>yes</b>
<b>Precision Control</b>	<b>yes</b>
<b>Anti-Splinter insert</b>	<b>yes</b>
<b>Restart Protection</b>	<b>yes</b>
<b>Dust Port</b>	<b>yes</b>



### Power Tools



# Q4 Sales Brief : GST 160 CE / BCE Professional

## Technical data – GST 160 BCE

**Counterbalance** – very compact mechanism to reduce vibration

**Powerful motor with optimized electronics** constant cutting speed even for demanding applications

**Speed pre-select** perfect stroke rate in any material

**New one hand SDS saw blade change** Fast and convenient. No need to touch hot blades.

**LED light** – for better vision when making intricate cuts

**Metal footplate with improved plastic cover**  
Decreased work piece friction and more control cutting near edges

**Precision control** optimized double roller for user controlled blade guidance

**Blower function** keeps line of cut dust free.

**Improved SDS footplate** toolless bevel adjustment with new mechanism ensures perpendicularity of blade to work piece in standard position



## NEW! GST 160 CE / BCE Professional jigsaw

Perfect control for precise cuts



Part Number	Description	Description	Nett £	RRP. (ex Vat)
0601517073	GST 160 CE 240V	<b>LAUNCH OFFER!</b> + 31 jigsaw blades FOC in L-BOXX	£176.00	£220.00
0601518063	GST 160 BCE 110V	<b>LAUNCH OFFER!</b> + 31 jigsaw blades FOC in L-BOXX	£176.00	£220.00
0601518073	GST 160 BCE 240V	<b>LAUNCH OFFER!</b> + 31 jigsaw blades FOC in L-BOXX	£176.00	£220.00

## Appendix





## Competitor overview

**BOLD** equal or superior to competition

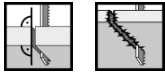
	<b>Bosch GST 160 CE/BCE</b>	<b>Makita 4350/51</b>	<b>DeWalt DW333K</b>	<b>Festool Trion</b>	<b>Festool Carvex</b>	<b>Mafell P1cc</b>
<b>Power in Watts</b>	<b>800</b>	720	700	720	550	900
<b>Weight in Kg</b>	2,2 / 2,3	2,5	2,8	2,4	1,9	2,5
<b>Constant Electronic</b>	<b>yes</b>	yes	yes	yes	yes	yes
<b>Variable Speed Dial</b>	<b>yes</b>	yes	yes	yes	yes	yes
<b>Gas Pedal Function</b>	<b>barrel grip version</b>	barrel grip version	barrel grip version	barrel grip version	barrel grip version	no
<b>Stroke Rate per min.</b>	800 - 3000	800 - 2800	800 - 3100	800 - 2800	1000 - 3800	800 - 3000
<b>Stroke Length in mm</b>	<b>26</b>	26	26	26	26	26
<b>Orbital Action</b>	<b>yes</b>	yes	yes	yes	yes	yes
<b>Blade Change</b>	<b>one hand SDS</b>	2 hand SDS	2 hand SDS	2 hand SDS	1 hand SDS	2 hand SDS
<b>Footplate Adjustment</b>	<b>SDS</b>	allen key	SDS	allen key	additional FP	additional FP
<b>Dust Blower</b>	<b>yes</b>	yes	yes	yes	yes	yes
<b>Light</b>	<b>LED</b>	yes	no	no	LED/Stroposkop	no
<b>Precision Control</b>	<b>double roller</b>	no	no	Guidewheel blade supports	Guidewheel blade supports	no
<b>Anti-Splinter insert</b>	<b>yes</b>	yes	yes	yes	yes	yes
<b>Restart Protection</b>	<b>yes</b>	no	no	no	yes	no
<b>Dust Port</b>	<b>yes</b>	yes	yes	yes	yes	yes



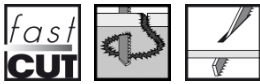
## Scope of delivery

### Standard scope of supply

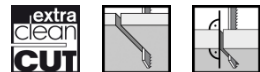
- 3 x sawblade
  - T144DP – 2 609 991 424 precision for Wood



- T244D – 2 609 991 423 speed for wood



- T 308 BP – 2608 667 400 precision for Wood



- 1 x splinterguard
  - AC SKU: 2 601 016 096 (5 pcs)
- Dust extraction set
  - AC SKU: 2 605 510 301

### Available accessories

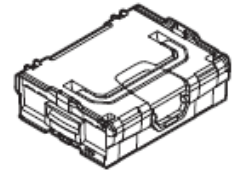
Metal Overshoe

- AC SKU: 2 601 098 123



### Packaging

- LBOXX 136
  - AC SKU: 2 608 438 692



Power Tools Note: all SKU numbers are AC order numbers



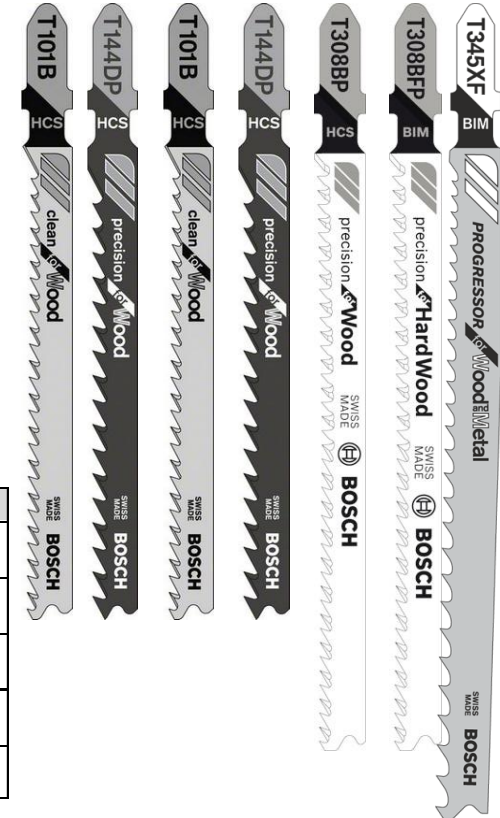
**BOSCH**

## Launch promotion

**GST 160 CE/BCE in L-BOXX + FOC:  
31 jigsaw blades in Q4 2013**

Launch Promo GST 160 CE		
UK 230 V	0.601.517.073	3.165.140.769.198
Launch Promo GST 160 BCE		
UK 230 V	0.601.518.073	3.165.140.769.228

quantity	jigsaw blades	part number
2	5 pieces "progressor for Wood and Metal T345XF"	2608634994
2	5 pieces "clean for wood T101B"	2608630030
1	3 pieces "NEW precision for wood T308BP"	2608667439
1	3 pieces "NEW precision for HardWood T308BFP"	2608636778
1	5 pieces "Speed for wood T 144 DP"	2609633A35



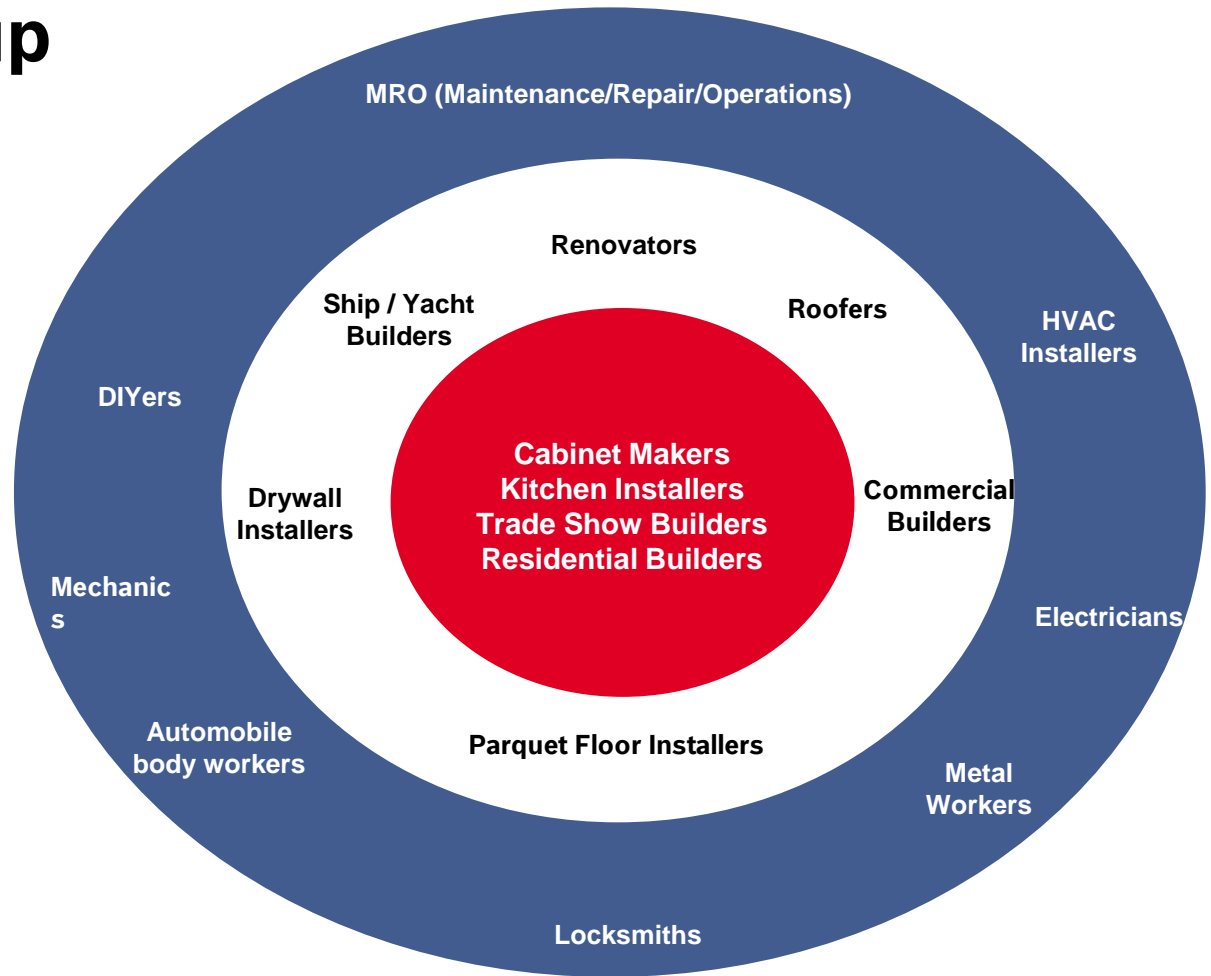
**PLUS!** 5 x 5 blades (2608631002) FOC  
(that's x56 FOC JSB in total!) – worth >£100 re-sell value!

## Market pricing, e.g. D&M

Stock No.	Price	230v	110v	Power Input	No Load Speed (rpm)	Stroke	Variable	DOC Wood	DOC Steel	DOC Non Fe	Pendulum Action	Carry Case	Tool-less blade change	Weight
<b>BSHGST140BCE</b>	£219.95	Y	Y	720W	800-3100spm	26mm	Y	140mm	10mm	20mm	4 stage	L-BOXX	Y	2.3kg
<b>BSHGST140CE</b>	£219.95	Y	N	720W	800-3,100spm	26mm	Y	140mm	10mm	20mm	4 stage	L-BOXX	Y	2.2kg
<b>BSHGST150BCE</b>	£139.95	Y	Y	780W	500-3100	26mm	Y	150	10	20	-	Y	Y	2.7kg
<b>BSHGST150CE</b>	£149.95	Y	Y	780W	500-3100spm	26mm	Y	150mm	10mm	20mm	-	Y	Y	2.6kg
<b>DEW331K</b>	£139.95	Y	Y	701W	800-3100	26mm	Y	130mm	10mm	20mm	3 stage	Y	Y	2.8kg
<b>FES561450</b>	£229.95	Y	Y	720W	1000-2900	-	Y	120mm	10mm	20mm	4 stage	Systainer T-Loc	Y	2.4kg
<b>FES561459</b>	£229.95	Y	Y	720W	1000-2900	-	Y	120mm	10mm	20mm	4 stage	Systainer T-Loc	Y	2.4kg
<b>FES561590</b>	£269.95	Y	Y	550W	1500 - 3800 spm	-	Y	120mm	10mm	20mm	4 stage	SYSTAINER SYS 1 T-LOC	Y	1.9kg
<b>FES561591</b>	£419.95	Y	Y	550W	1500-3800rpm	-	Y	120mm	10mm	20mm	4 stages	SYSTAINER SYS 1 T-LOC	Y	1.9kg
<b>FES561605</b>	£269.95	Y	Y	550W	1000-38000spm	-	Y	120mm	10mm	20mm	4 stages	SYSTAINER SYS 1 T-LOC	Y	1.9kg
<b>FES561605</b>	£269.95	Y	Y	550W	1000-38000spm	-	Y	120mm	10mm	20mm	4 stages	SYSTAINER SYS 1 T-LOC	Y	1.9kg
<b>MAFP1CC</b>	£389.95	Y	N	900W	800-3000	26mm	Y	-	-	-	-	N	-	2.5kg
<b>MAK4329</b>	£64.95	Y	Y	450W	500-3100	18mm	Y	65mm	6mm	-	3 stage	N	N	1.9kg
<b>MAK4350FCT</b>	£129.95	Y	Y	720W	800-2800	26mm	Y	135mm	10mm	20mm	3 stage	Y	Y	2.4kg
<b>MAK4351FCT</b>	£134.95	Y	Y	720W	800-2800	26mm	Y	135mm	10mm	20mm	3 stage	Y	Y	2.4kg
<b>MAKJVO600K</b>	£129.95	Y	Y	650W	500-3100spm	24mm	Y	90mm	10mm	20mm	-	-	-	2.4kg
<b>SKL4585</b>	£69.95	Y	N	710W	0-3000rpm	23mm	Y	100mm	8mm	20mm	-	Y (Canvas Bag)	Y	2.3kg



## Target Group

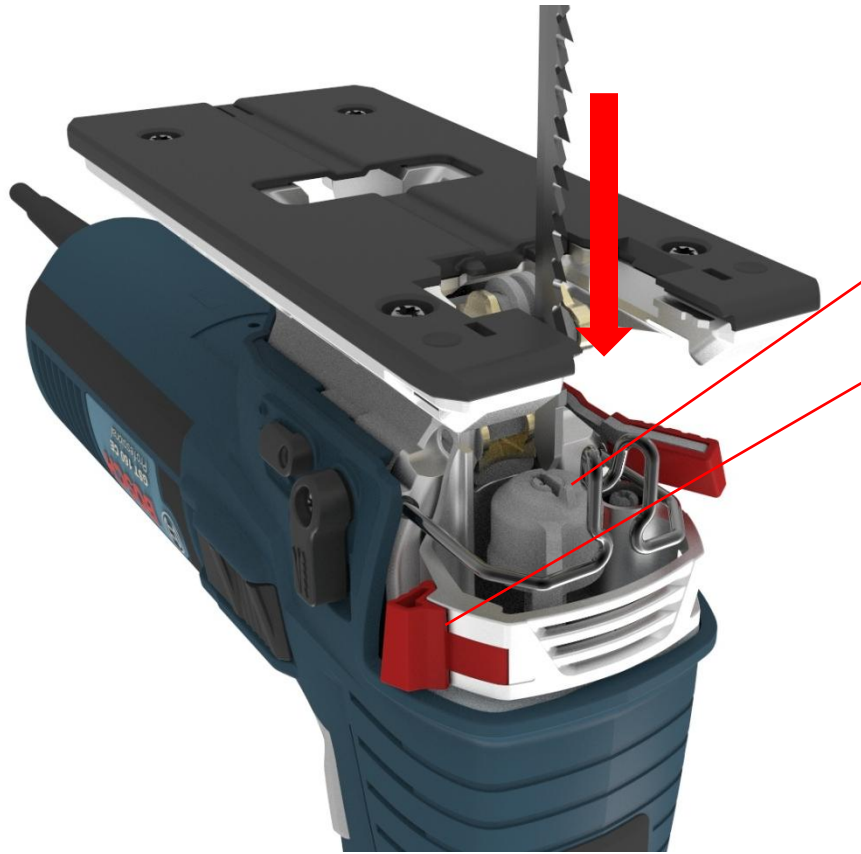


**Red:**  
Power users

**White**  
High frequency users

**Blue**  
Moderate frequency users

## One hand SDS blade change



### **More convenient blade change:**

The blade holder is automatically in “open” position.

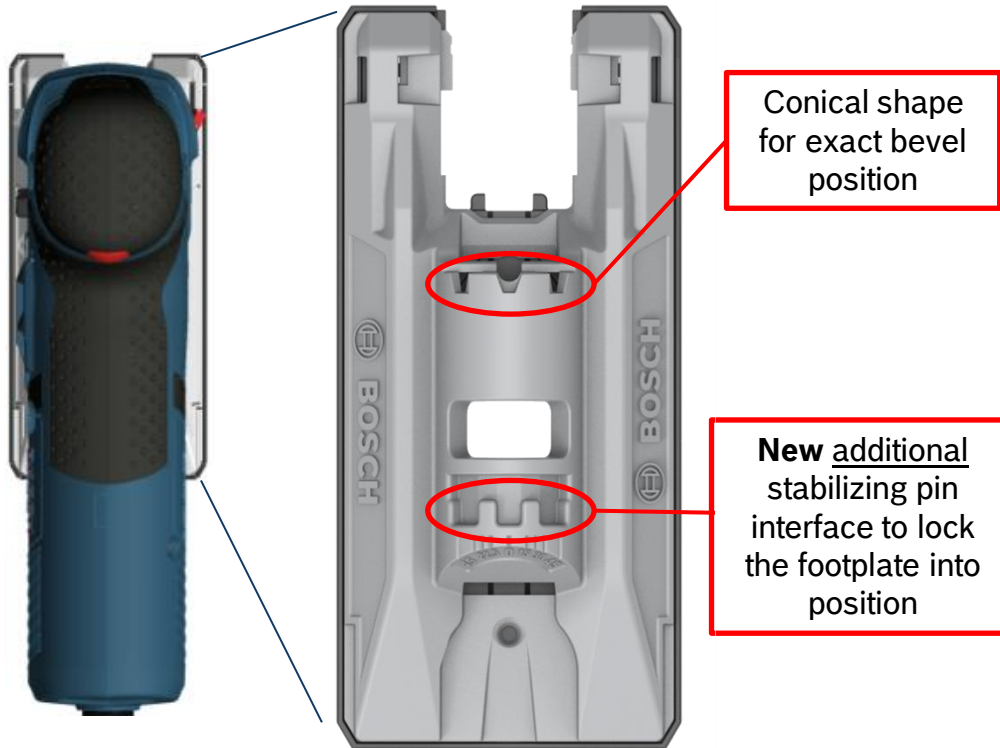
No need to hold the blade ejection lever open to insert the blade.

Just insert the blade – click!

## Optimized blade guiding system

### 2. Optimized SDS footplate bevel function:

How do we ensure an easy and reliable readjustment to 90°?



The new additional stabilizing pin interface at the rear of the bevel element...

1. ensures the 90° readjustment
2. prevents unintended changes to bevel angle

Please note:

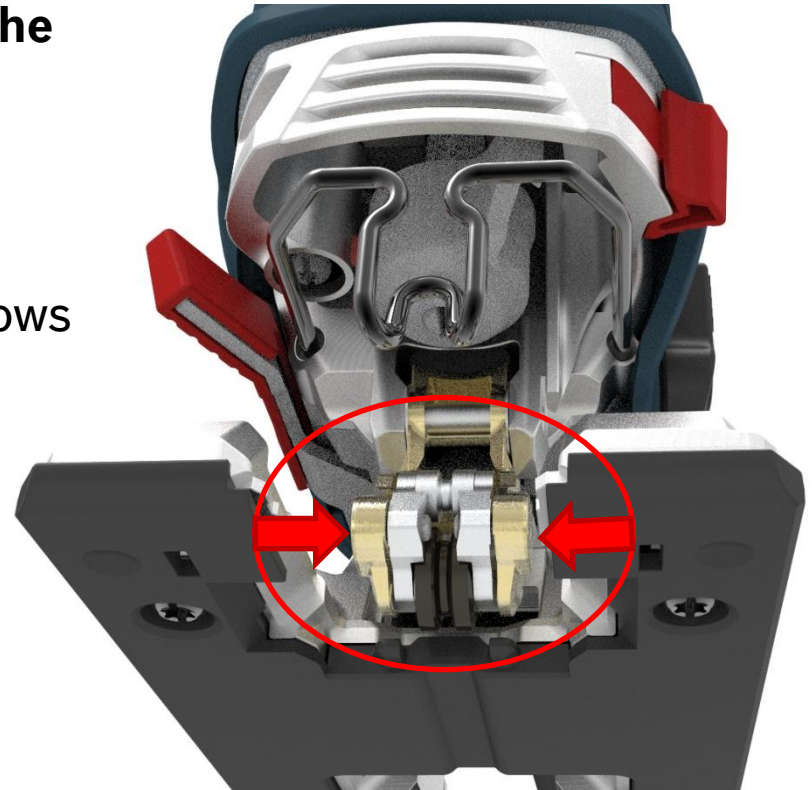
GST 160 no longer needs the fine adjustment screw for the footplate bevel and is therefore not equipped with it anymore

## Optimized blade guiding system

### 3. Improved double roller blade guiding system

#### More control to precisely follow the cutting line

Due to reduced play and optimized tolerances, the blade guiding system better follows the cutting directions of the user

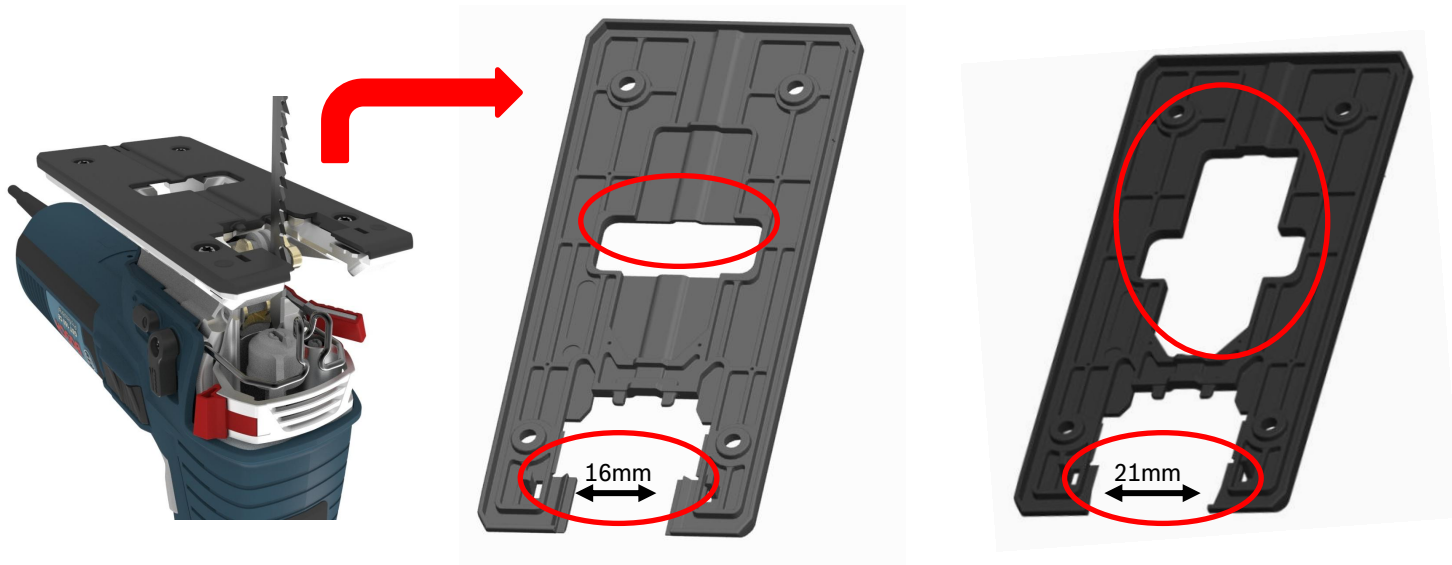




## Optimized blade guiding system

### 4. Optimized footplate cover\*

**More stability for cuts near corners and edges:**  
Due to maximized size of the plastic footplate cover.



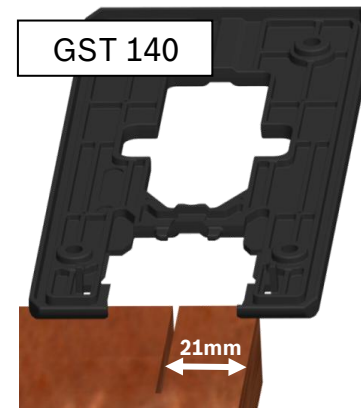
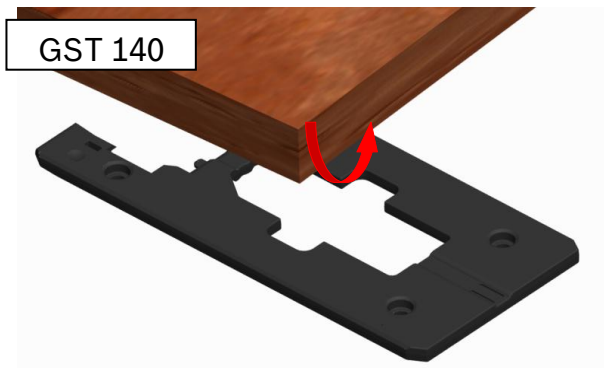
NEW  
GST 160 CE / BCE

GST 140 CE / BCE

## Optimized blade guiding system

### 5. Optimized footplate cover

more stability for cuts near corners and edges!



## How to sell against Makita 4350/51

### 1. Precision control

GST 160: self adjusting double roller system minimizing blade wander and blade deflection

Makita 4350/51: basic single roller

### 2. Lower weight

GST 160: 0,3 kg less weight for more control / less fatigue

### 3. Working safety

GST 160: Restart Protection to prevent injuries

Makita 4350/51: no Restart Protection

### 4. High quality of workmanship

GST 160: quality “made in Switzerland”!

Makita 4350/51: blade chan plastic lever is loose / housing has nasty sharp edges

*Poor workmanship!*



### 5. Convenience

- GST 160: 1 hand SDS blade change with automatic blade ejection  
Makita 4350/51: two hand SDS w/o automatic blade ejection
- GST 160: SDS footplate adjustment  
Makita 4350/51: allen key needed for adjustment

## Picture pool

Available now  
Application pictures

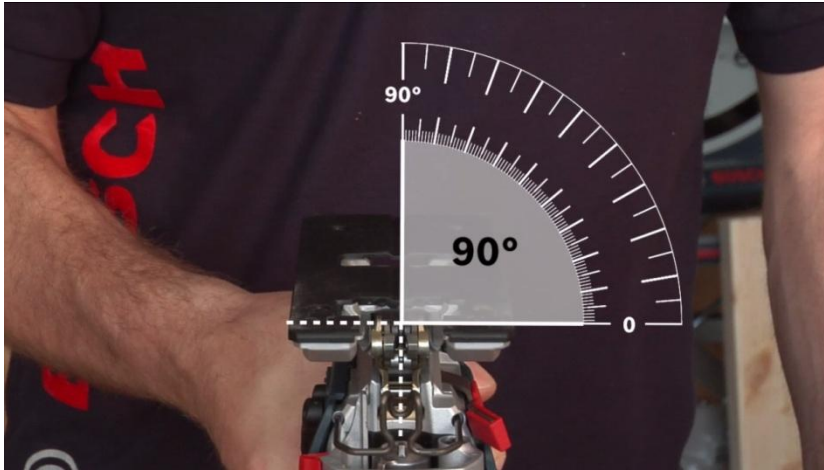


Available now  
Key visual

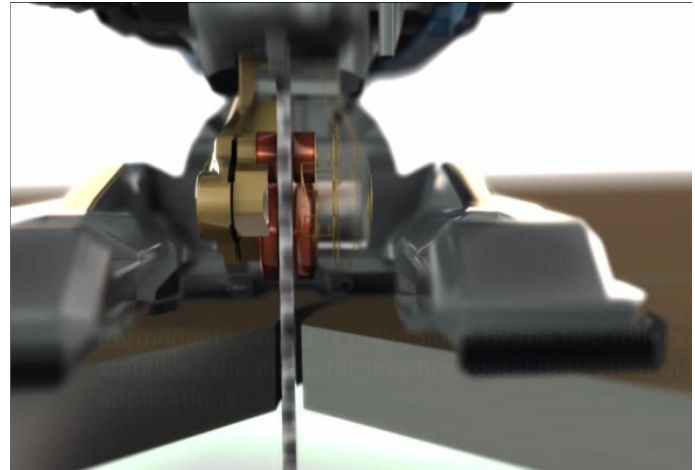


## Videos

Available now:  
“Product Video  
GST 160 CE / BCE Professional”



Available now:  
“Feature Video Precision Control”



Available Jan 2014:  
“How-to-Video GST 160 CE / BCE Professional”

## How to demonstrate

### Clean straight cuts

Saw blade	T 308 B extra-clean for wood or extra-clean for hard wood
Material	Coated or veneered chip board; 19 – 28 mm
Pendulum adjustment	0 or 1
Comment	push slowly / moderately; also show opposite side of material to highlight clean cutting edges



## How to demonstrate

### Clean curve cuts

Saw blade	T308BP precision for wood
Material	Coated or veneered chip board; 19 – 28 mm
Pendulum adjustment	0-1
Comment	push slowly/moderately; also show opposite side of material to highlight clean cutting edges



## How to demonstrate

### Reliable 90° cuts

Saw blade	T 144 DP precision for wood
Material	Solid wood like pine or beech, 25 – 30 mm or kitchen countertops 40 mm chipboard
Pendelum adjustment	1-2
Comment	Push moderately; show 90° angle of cutting result



Angle accuracy!





## How to demonstrate

### 45° cuts

Saw blade	T 144 DP precision for wood
Material	Coated or uncoated chip board 20 – 27
Pendelum adjustment	1-2
Comment	Push moderately; show clean cutting edge



A rare application, but impressive to show!

## How to demonstrate

### Power to cut beams

Saw blade	T 1044 DP precision for wood
Material	Wood beams of 100 up to 160 mm thickness
Pendulum adjustment	1-2
Comment	Push slowly - moderately; show clean cutting edge



A rare application,  
but impressive to show!