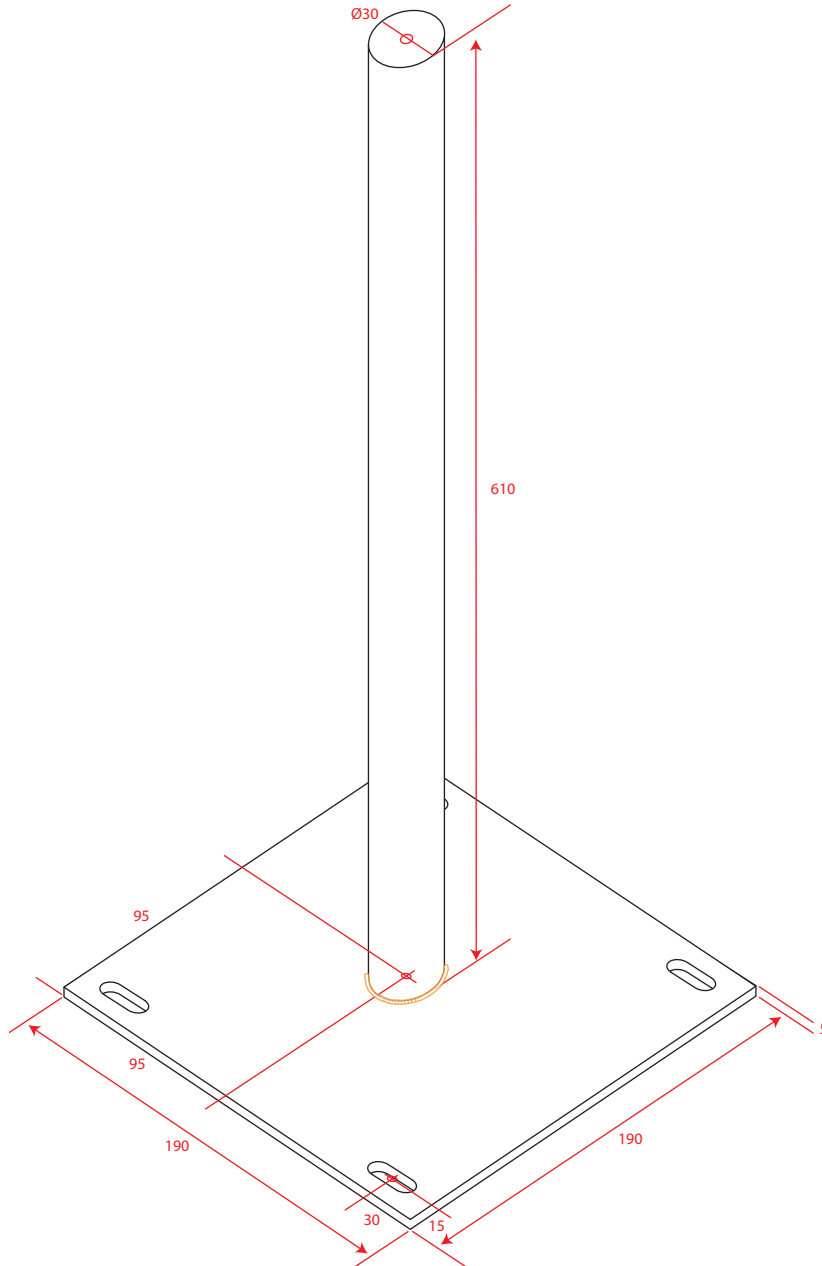
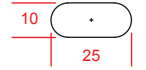


Arch Weld  
Full Width



Hole Punch



**OPTIMA™**

Date: **Aug 2011**

Part No: **116082**

Model No: **SAT3**

Type: **Galvanised**

Tolerance: **± 2 mm**

Unit 1 Redbourne Park, Brackmills Industrial Estate, Northampton NN4 7DT  
© 2011 VISION™ Products (Europe) E&OE. Details and specifications are correct at time of print.