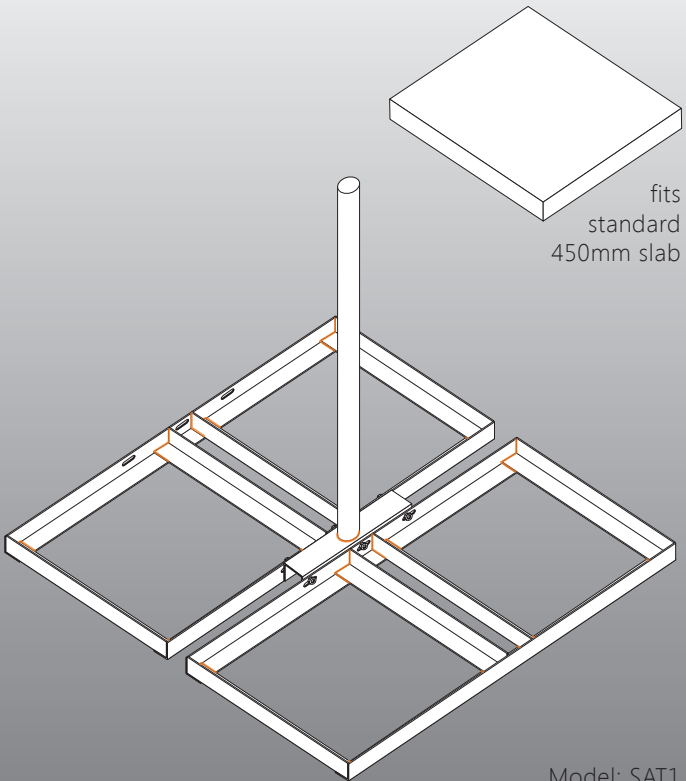


SATELLITE DISH MOUNTS



Model: SAT1

2" diameter non piercing roof mount is ideal for mounting satellite dishes on patios or flat roofs, these fit 4 standard 450mm slabs.

- 3mm Steel
- Hot Dipped

Fixings
450mm Slabs

MODEL	DESCRIPTION
SAT1	2 inch Non Piercing Mount