

**PLEASE CHECK WWW.MOLEX.COM FOR LATEST PART INFORMATION**

**Part Number:** [19019-0052](#)  
**Status:** **Active**  
**Description:** Avikrimp™ Quick Disconnect, Female, for 12-14 (3.30-2.00mm<sup>2</sup>) Wire, Box, Tab 6.35 x 0.81mm

**Documents:**

[Drawing \(PDF\)](#) [Product Specification PS-19902-014 \(PDF\)](#)  
[Product Specification PS-19902-011 \(PDF\)](#) [RoHS Certificate of Compliance \(PDF\)](#)  
[Product Specification PS-19902-013 \(PDF\)](#)

**Agency Certification**

CSA LR18689  
 UL E79133

**General**

Product Family Quick Disconnects  
 Series [19019](#)  
 Crimp Quality Equipment Yes  
 Insulated No  
 MolexKits Yes  
 Product Name Avikrimp™  
 Type Quick Disconnect  
 UPC 800753038561

**Physical**

Barrel Type Closed  
 Color - Resin Yellow  
 Flammability 94V-2  
 Gender Female  
 Glow-Wire Compliant No  
 Insulation Nylon (PA)  
 Lock to Mating Part None  
 Material - Metal Brass  
 Material - Plating Mating Tin  
 Material - Plating Termination Tin  
 Net Weight 1.021/g  
 Orientation Straight  
 Packaging Type Bag  
 Polarized to Mating Part No  
 Tab Thickness 0.81mm  
 Tab Width 6.35mm  
 Temperature Range - Operating -65°C to +105°C  
 Wire Insulation Diameter 4.30mm max.  
 Wire Size AWG 12, 14  
 Wire Size mm<sup>2</sup> 2.00 - 3.30

**Electrical**

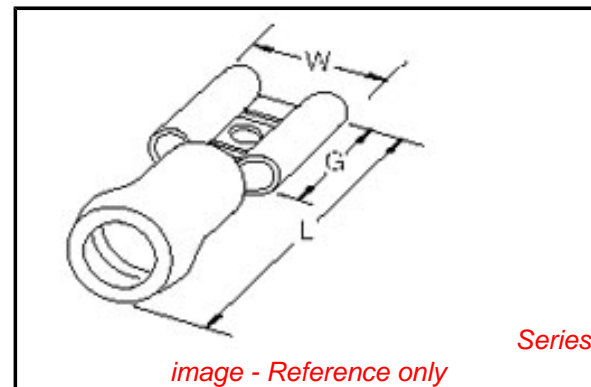
Voltage - Maximum 300V

**Material Info**

Old Part Number P-8142

**Reference - Drawing Numbers**

Product Specification PS-19902-011, PS-19902-013, PS-19902-014  
 Sales Drawing SD-19019-001



**EU RoHS**

**ELV and RoHS Compliant**  
**REACH SVHC Contains SVHC: No**  
**Low-Halogen Status Low-Halogen**

**China RoHS**



**Need more information on product environmental compliance?**

Email [productcompliance@molex.com](mailto:productcompliance@molex.com)  
 For a multiple part number RoHS Certificate of Compliance, [click here](#)

Please visit the [Contact Us](#) section for any non-product compliance questions.

**Search Parts in this Series**

19019Series

**Application Tooling | FAQ**

*Tooling specifications and manuals are found by selecting the products below. Crimp Height Specifications are then contained in the Application Tooling Specification document.*

**Global**

Description	Product #
Hand Crimp Tool	<a href="#">0640011800</a>
Crimp Head for the AT-200™ Pneumatic Hand Tool	<a href="#">0640051800</a>

This document was generated on 10/21/2013

**PLEASE CHECK [WWW.MOLEX.COM](http://WWW.MOLEX.COM) FOR LATEST PART INFORMATION**