

dropout

DO150S

Liquid **water removal** guaranteed

Dropout® - extremely high performance water separation (99.99%) at wide flow rates without the need for replacement filter elements.

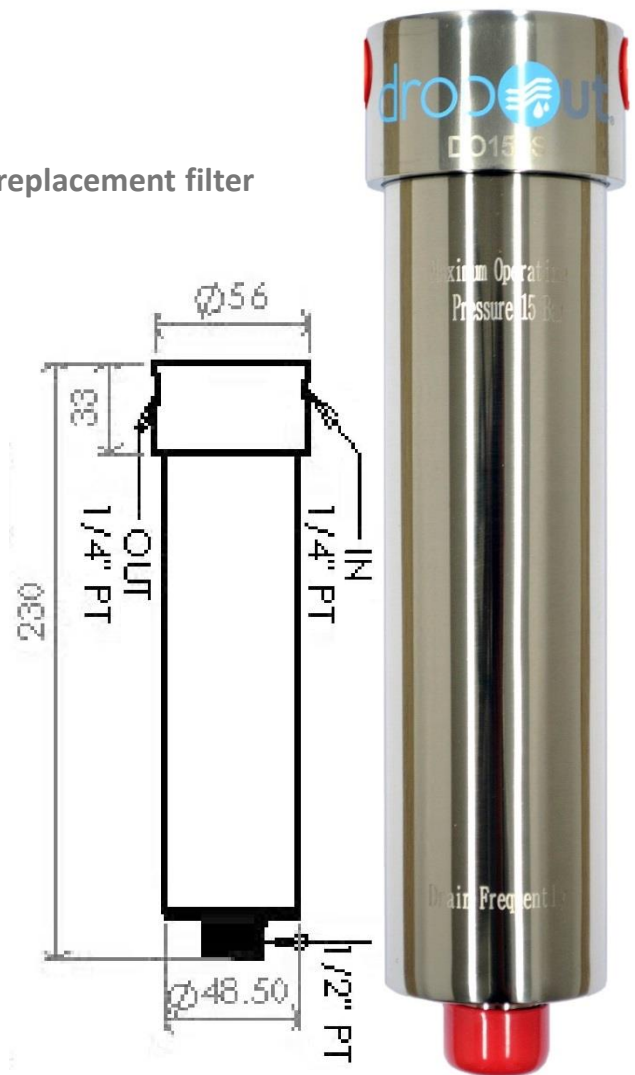
Features:

- **Flow rate: up to 8.83 cfm (250 l/min)**
- **Wide pressure operating range: 1 - 15 bar**
- **Low cost of ownership: low maintenance, no replacement filter elements needed & easy to install**

Our unique patented multi-impact design means that we do not rely on stable flow or pressure to reach optimum performance unlike traditional cyclonic separators. This means the product performance remains constant at flows between 0.04 cfm and 8.83 cfm. This performance is also not affected by variable pressures or pulsed flows. All this coupled with particulate removal down to 3 micron and without the need for costly replacement consumables means the whole life cost is significantly reduced when compared with similar products available.

Dropout® has multiple applications acting not only as a stand-alone water separator or coalescing filter but also providing protection of refrigerated and desiccant dryer by (pre) filtering bulk liquid and contaminants. Advanced technologies in the design enable Dropout® to operate between these wide and variable flow rates and maintain a low-pressure drop throughout the life of the product.

True clarity in an unconventional world!



| Flow rate | | | | | Water storage (cc) | Inlet/Outlet connection (BSPT) | Drain connection (manuel BSPT) | Dimensions (mm) | Weight (kg) | Particulate removal (micron) |
|-------------|-------------|---------|--------------|-----------|-----------------------|-----------------------------------|-----------------------------------|--------------------|----------------|---------------------------------|
| (cfm) | (l/sec) | (l/min) | (m³/min) | (m³/h) | | | | | | |
| 0.04 - 8.83 | 0.02 - 4.17 | 1 - 250 | 0.001 - 0.25 | 0.06 - 15 | 200 | ¼" | 1/2" (m) | 230 x 48.5 Ø | 1.16 | 3 |

| Operating pressure | | | | Operating temp | | | | Max recommended inlet temp | | Pressure drop at optimum flow rate (7bar) (bar) | Material |
|--------------------|-------|-------|-------|----------------|----|-----|-----|----------------------------|----|--|---------------------|
| Min | | Max | | Min | | Max | | | | | |
| psi g | bar g | psi g | bar g | °C | °F | °C | °F | °C | °F | | |
| 15 | 1 | 217 | 15 | -5 | 23 | 80 | 176 | 35 | 95 | 0.38 | Stainless Grade 304 |