

MICRO SWITCH

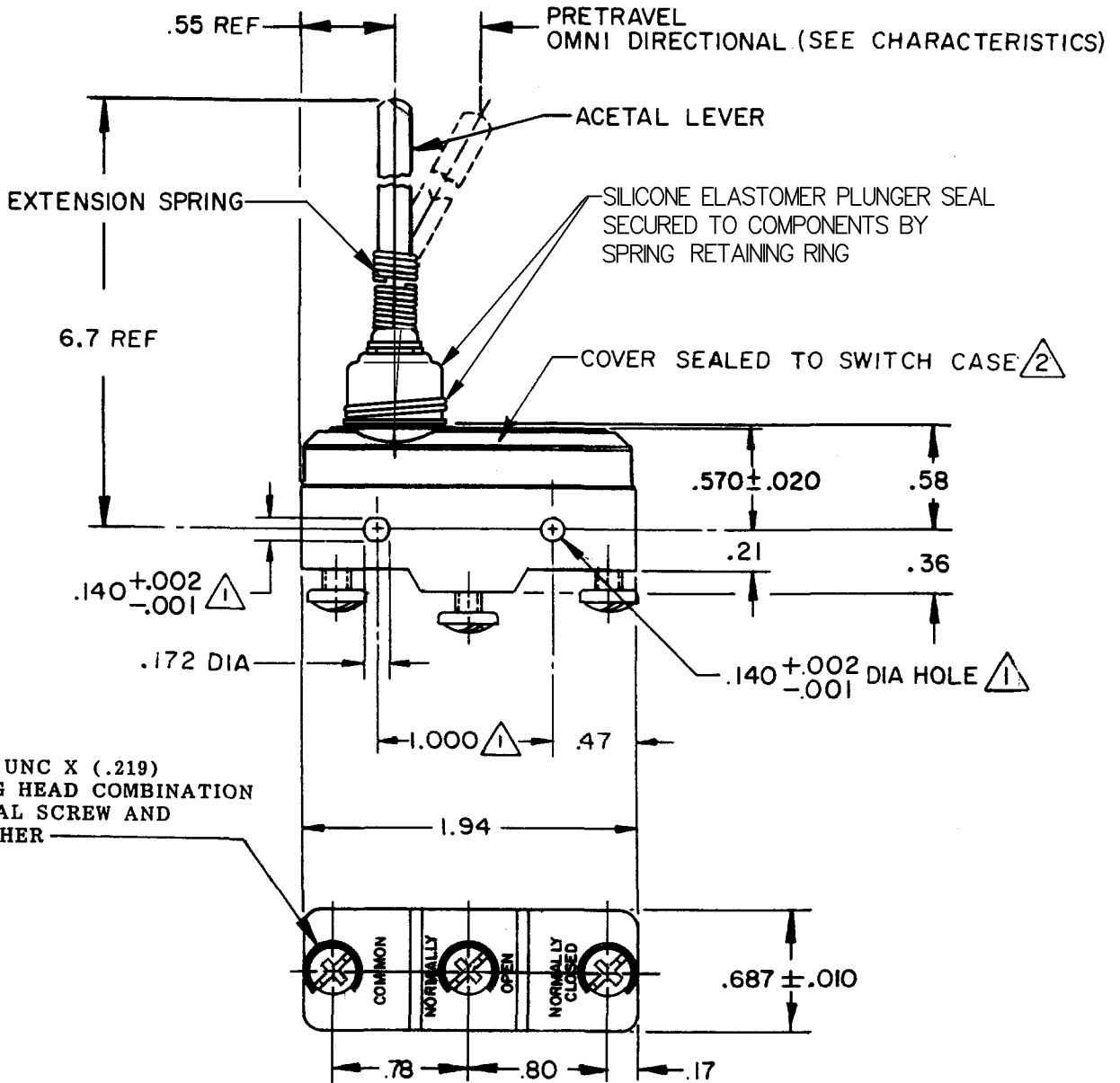
FREERPORT ILLINOIS, U.S.A
A DIVISION OF HONEYWELL INC.

FED. MFG. CODE 91929

SWITCH - BASIC

CATALOG LISTING

BZ-2RQW1-A2



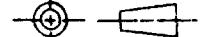
3X 6-32 UNC X (.219)
BINDING HEAD COMBINATION
TERMINAL SCREW AND
CUPWASHER

NOTE -

- ① MOUNTING HOLES WILL ACCEPT PINS OR SCREWS OF .139
MAX DIA ON 1.000 ± .002 CENTERS
- ② SEALED CONSTRUCTION PROVIDES SPLASH RESISTANCE

THIS DRAWING COVERS A PROPRIETARY ITEM AND IS THE PROPERTY OF MICRO SWITCH, A DIVISION OF HONEYWELL. THIS DRAWING IS NOT TO BE COPIED OR USED WITHOUT THE APPROVAL OF MICRO SWITCH.

THIRD ANGLE PROJECTION



CHARACTERISTICS

OPERATING FORCE ----- 2.5 OZ MAX

PRETRAVEL ----- .500. REF
(OMNI DIRECTIONAL)

ELECTRICAL DATA

CONTACT ARRANGEMENT
S P D T

L96 15A 125, 250 OR 480 VAC
1/8 HP 125 VAC, 1/4 HP 250 VAC
1/2A 125 VDC, 1/4A 250 VDC

L288
L299
L306

CE Ⓟ Ⓡ Ⓢ
16A 250V ~ T85 5E4

SCALE FULL

DO NOT SCALE PRINT

UNLESS OTHERWISE SPECIFIED
TOLERANCES ARE

ONE PLACE (.0) ± .030
TWO PLACE (.00) ± .015
THREE PLACE (.000) ± .005

ANGLES ±
RAW MATERIAL - COMMERCIAL STANDARD

DIMENSIONS ARE IN INCHES AND ARE
TO BE MET BEFORE PROTECTIVE
COATINGS ARE APPLIED

MICRO SWITCH STANDARDS APPLY

WEIGHT

BZ-2RQW1-A2

PAGE 1 OF 1

REPLACES

RELEASE NO. PR-16433

DRAWING NUMBER

9

ISSUE

CHECK

REVISIONS

A	C067209	J A P	3 MAY 90
B	C07921	G J W	20 MAR 92
C	CO-73287-J	J A L	22 NOV 93
D	CO-77589	J A L	30 MAR 94
E	CO-78624-B	J A L	18 OCT 94
F	C083108	G J W	13 JUN 96
G	C093346	D L T	11 SEP 98
H	C093552	T S M	20 JAN 99

CHECK

CHECK

88

MAY

J A P

16

FORMTEK

DRAWN