

ULTRA RT6 HO LED Recessed Downlight Kit



SYLVANIA ULTRA RT6 HO is a six-inch LED recessed downlight kit creating high performing white light and is optimized for new construction and retrofit applications. Installation is done quickly and easily in most standard six-inch Insulated Ceiling (IC) housings, Airtight (AT) housings and non-IC housings.

Dimming

The SYLVANIA ULTRA RT6 HO is dimmable to 10% with standard 120V electronic low voltage dimmers (recommended), incandescent or magnetic low voltage dimmers. In some cases, standard incandescent dimmers require a minimum load of typically >40 watts on the circuit for full range dimming performance (four LED modules). For dimming with digital (smart) multi-location dimmers or when dimming fewer than four LED modules, Electronic Low Voltage (ELV) dimmers are required (some ELV dimmers need a neutral connection in the wallbox).

Key Features & Benefits

- Lumen package:
 - 1400 lumens @ 21 watts
- Replacement for up to 90W halogen lamps
- Fits into most 6" recessed downlight fixtures
- CCT: 2700K/3000K/3500K
- CRI of 85 and R9 up to 34
- Dimmable to 10-100%
- 50,000 hour life (L₇₀)
- Suitable for indoor dry and damp locations
- Reduces energy consumption up to 77%
- 120V input voltage
- Lasts up to 20 times longer than halogen lamps
- No warm-up time, instant-on with full light output and stable lamp to lamp color
- Meets California Title 24 fixture requirements for high efficacy luminaire
- Integrated white trim and medium base socket adaptor (included) for direct replacement

Quality of Light

The SYLVANIA ULTRA RT Series provides excellent color rendering (85 CRI and R9 up to 34), and a selection of color temperatures (2700K, 3000K and 3500K). LEDs have virtually no UV or infrared radiation to damage or fade furnishings, art or other objects.

Optical Design

Optical design efficiently directs light output in an 80° beam angle with low glare.

Product Offering

Ordering Abbreviation	Wattage	CCT	R9
LED/1400/RT6/827/FL80/WRFL/WTR	21	2700K	24
LED/1400/RT6/830/FL80/WRFL/WTR	21	3000K	26
LED/1400/RT6/835/FL80/WRFL/WTR	21	3500K	34

Application Information

Applications

- Healthcare
- Hospitality
- Office
- Property Management
- Residential
- Retail

Specifications and Certifications



This light source meets restrictions on hazardous substances.



Specification Data

Catalog #	Type
Project	
Comments	
Prepared by	

Specifications

Energy Data

Minimum Starting Temp: -20°C (-4°F)
EMI/RFI: FCC Title 47 CFR, Part 15, Class B
Sound Rating: <24dBA
Input Voltage: 120V
Power Factor: >0.90
Input Frequency: 60Hz
THD: <20%

Input Power: 21W
Input Current: 0.18A
Maximum Ambient Operating Temperature (Insulated Ceiling): 40°C (104°F)
Maximum Ambient Operating Temperature (Non-Insulated Ceiling): 40°C (104°F)

Lighting Data

Lumen Output: 1400
Lumens per Watt: 68

Color

Correlated Color Temperature (CCT): 2700K, 3000K & 3500K
Color Rendering Index (CRI): 85
R9: Up to 34

Ordering Information

Item Number	Ordering Abbreviation	Recessed Housing	Replaced Halogen Wattage	Nominal Wattage (W)	Delivered Light Output (lm)	Color Temperature	CRI	R9	Avg. Rated Life (hrs)*	Packaging Configuration
70726	LED/1400/RT6/827/FL80/WRFL/WTR	6 in.	90W	21	1400	2700K	85	24	50,000	Box
70727	LED/1400/RT6/830/FL80/WRFL/WTR	6 in.	90W	21	1400	3000K	85	26	50,000	Box
70728	LED/1400/RT6/835/FL80/WRFL/WTR	6 in.	90W	21	1400	3500K	85	34	50,000	Box

*LED lamp life is defined as the number of hours when 50% of an average group of identical lamps reached 70% of its initial lumens.

Ordering Guide

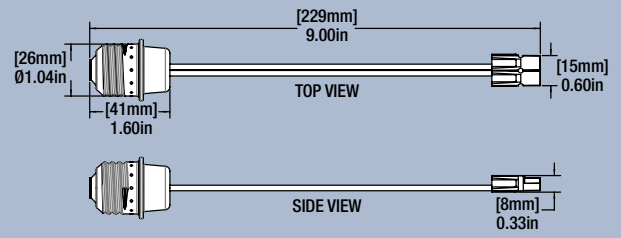
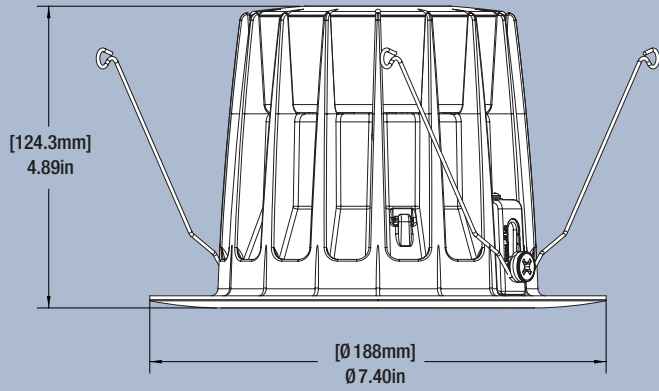
LED	/	1400	/	RT6	/	8	27	/	FL	80	/	WRFL	/	WTR
LED		Light Output 1400lm		Product Name RT6 6 = fits 6" housing		CRI >80	Color Temperature 2700K		Flood	Beam Angle 80°		White Reflector		White Trim

Energy Savings

Basic Product Description	LED Lumens	LED Life	Traditional Lamp Types	Lumens	Life	Watts Saved with RT6	RT6 Energy Savings*	RT6 Life Benefit
RT6 21W	1400	50,000	Halogen 90PAR38	1310	2,500	69	\$379	20X
			CFLi CF23PAR38	1200	8,000	2	\$11	6X

* Based on \$0.11/kWh over 50,000 hours life.

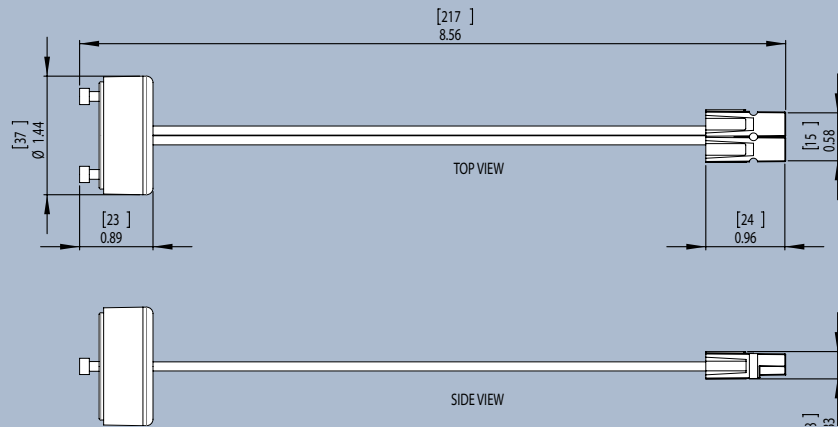
Assembly Diagram



Accessories

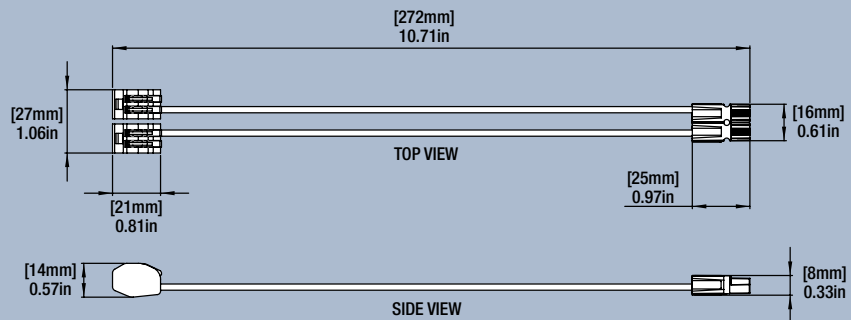
GU24 Socket Adaptor

70650 LED/CRT6/GU24/SOCKET/ADAPTOR (sold separately)



Retrofit Adaptor

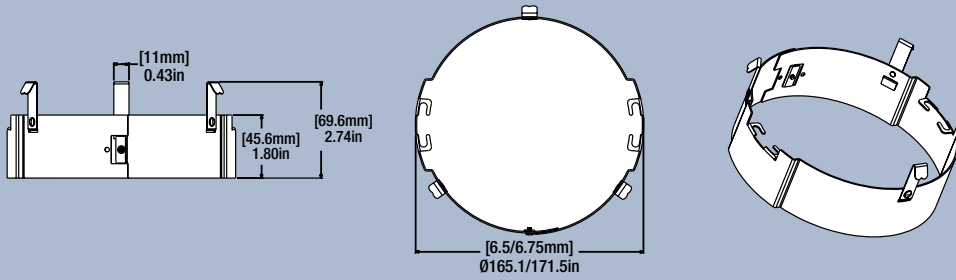
70657 LED/CRT6/RETROFIT/ADAPTOR (sold separately)



Accessories

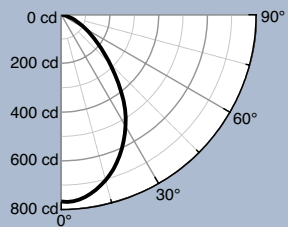
Retrofit Band (For 6" housing models Progress Lighting P87-AT and Lightolier 1104IC)

70663 RT6/RETROFITBAND (sold separately)



Photometric Information

Polar Chart



Maximum Intensity: 768 cd

Zonal Lumen Distribution

Zone	Lumens	% Fixture
0-30	544	41.30
0-40	829	62.80
0-60	1202	91.10
60-90	118	28.30
0-90	1319	100.00
90-180	0	0.00
0-180	1319	100.00

Illuminance at Distance

Distance	Illuminance		Beam Diameter	
	Edge	Center	V	H
2 ft	43.8 fc	192.0 fc	3.3 ft	3.3 ft
4 ft	11.0 fc	48.0 fc	6.6 ft	6.6 ft
6 ft	4.9 fc	21.3 fc	9.9 ft	9.9 ft
8 ft	2.7 fc	12.0 fc	13.3 ft	13.2 ft
10 ft	1.8 fc	7.7 fc	16.6 ft	16.5 ft
12 ft	1.2 fc	5.3 fc	19.9 ft	19.9 ft

Vert. Spread: 79.3°

Horiz. Spread: 79.2°

Spacing to Mounting Height Ratio

Spacing Criteria (0-180°)	1.10
Spacing Criteria (90-270°)	1.08
Spacing Criteria (Diagonal)	1.14

Note: Photometric data for ULTRA RT6 1400 lumen 2700K version.

Application Information

Application Notes

- Operating temperature range between -4°F and +104°F (-20°C and +40°C).
- Suitable for use in indoor dry and damp location environments.
- Suitable for dimmers or in housings controlled by a dimmer — See www.sylvania.com/RT6 for detailed dimmer compatibility list.
- Not intended for use with emergency light fixtures or exit lights.
- For use in housings that can structurally support a lamp weighing one pound.
- Designed to install in standard 6" insulated and non-insulated housings. For a list of compatible housings, please refer to www.sylvania.com/RT6.
- For detailed warranty information, please see www.sylvania.com/RT6.
- RT6 trims are not compatible with RT6 HO.

[/sylvania](https://twitter.com/sylvania) [/sylvania](https://facebook.com/sylvania)

SYLVANIA is a registered trademark of OSRAM SYLVANIA Inc.
SEE THE WORLD IN A NEW LIGHT is a registered trademark of OSRAM SYLVANIA Inc.
Specifications subject to change without notice.

LED lighting facts
A Program of the U.S. DOE

Light Output (Lumens)	1400
Watts	20.5
Lumens per Watt (Efficacy)	68
Color Accuracy Color Rendering Index (CRI)	85
Light Color Correlated Color Temperature (CCT)	2700 (Warm White)
Warranty**	Yes

All results, except LED Lumen Maintenance, are according to: IESNA LM-79 2008. Approved Method for the Electrical and Photometric Testing of Solid-State Lighting. The U.S. Department of Energy (DOE) verifies product test data and results.

** See www.lightingfacts.com/products for details.

Registration Number: 1627-170799 (010/2012)
Model Number: LED1400W7927FL60W7927FL6
Type: Recessed downlight

United States

OSRAM SYLVANIA

100 Endicott Street
Danvers, MA 01923
1-800-LIGHTBULB

Trade

Phone: 800-255-5042
Fax: 800-255-5043

National Accounts

Phone: 800-562-4671
Fax: 800-562-4674

OEM/Special Markets

Phone: 800-762-7191
Fax: 800-762-7192

Retail

Phone: 800-842-7010
Fax: 800-842-7011

SYLVANIA Lighting Services

Phone: 800-323-0572
Fax: 800-537-0784

Display/Optic

Phone: 888-677-2627
Fax: 855-543-1043

Canada

OSRAM SYLVANIA LTD.

2001 Drew Road
Mississauga, ON L5S 1S4
1-800-LIGHTBULB

Trade

Phone: 800-263-2852
Fax: 800-667-6772

OEM/Special Markets/Display/Optic

Phone: 800-265-2852
Fax: 800-667-6772

Retail

Phone: 800-720-2852
Fax: 800-667-6772

SYLVANIA Lighting Services

Phone: 800-663-4268
Fax: 866-239-1278

Mexico

OSRAM MEXICO

Tultitlan/Edo de Mexico
Phone: 011-52-55-58-99-18-50

ENCELIUM Technologies

United States

Phone: 201-928-2400
Fax: 201-928-4028

Canada

Phone: 905-731-7678
Fax: 905-731-1401

www.sylvania.com