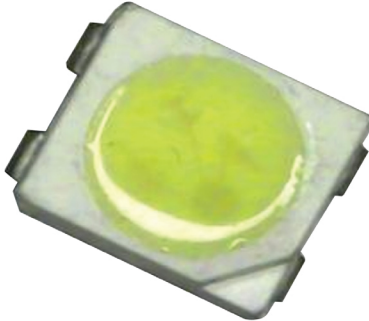


SMD Super Bright LED



Features:

- High Brightness
- Standard PLCC-4 Package
- Super Wide Viewing Angle

Maximum Ratings at Ta=25°C

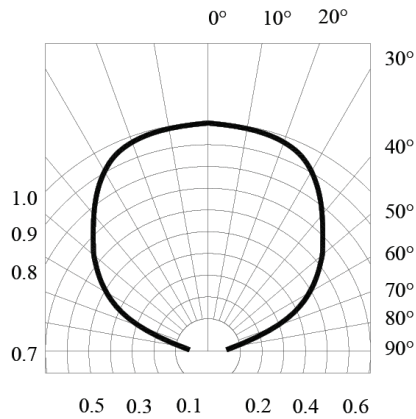
Reverse Voltage (<100µA)	: 5V
D.C. Forward Current	: 30mA
Pulse Current (Pulse Width of 0.1ms, 1/10 Duty Cycle)	: 100mA
Operating Temperature Range	: -25°C to +85°C
Storage Temperature Range	: -40°C to +100°C
Soldering Temperature Reflow Soldering	: 260°C for 5 secs

Electrical & Optical Characteristics at Ta = 25°C

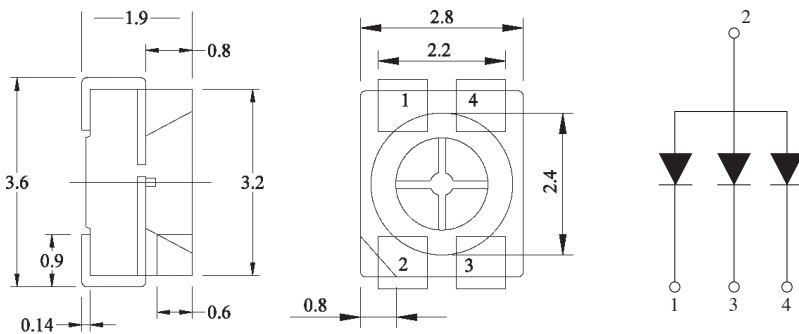
LED Chip			Lens Colour	Dominant Wavelength (nm) at 20mA	Luminous Intensity (mcd) at 20mA		Forward Voltage (V) at 20mA		Viewing Angle 2θ ^{1/2} (deg)	
Material	Emitted Colour	Brightness			min.	typ.	typ.	max.		
InGaN / Sapphire	Blue	Mega	Water Clear	465	370	540	3.2	4	120	
InGaN / Sapphire	True Green			520	700	1,550				
A1GaInP/Si	Yellow			591	700	1,340	2.1	2.5		
LED Chip			Lens Colour	Co-Ordinates for CIE Chromaticity at 20mA		Luminous Intensity (mcd) at 20mA		Forward Voltage (V) at 20mA		Viewing Angle 2θ ^{1/2} (deg)
Material	Emitted Colour	Brightness		X Axis	Y Axis	min.	typ.	typ.	max.	
InGaN / Sapphire	White	Mega	Water Clear	0.31	0.3	1,950	3,300	3.2	4	120



Radiation Diagram(s)



OVS-33 Series



Dimensions : Millimetres

Part Number

Description	Part Number
LED 3.2mm × 2.7mm × 1.9mm SMD HB 3 Chip White	OVS-3301
LED 3.2mm × 2.7mm × 1.9mm SMD HB 3 Chip Blue	OVS-3303
LED 3.2mm × 2.8mm × 1.9mm SMD HB 3 Chip Green	OVS-3304
LED 3.2mm × 2.8mm × 1.9mm SMD HB 3 Chip Yellow	OVS-3306

Important Notice : This data sheet and its contents (the "Information") belong to the members of the Premier Farnell group of companies (the "Group") or are licensed to it. No licence is granted for the use of it other than for information purposes in connection with the products to which it relates. No licence of any intellectual property rights is granted. The Information is subject to change without notice and replaces all data sheets previously supplied. The Information supplied is believed to be accurate but the Group assumes no responsibility for its accuracy or completeness, any error in or omission from it or for any use made of it. Users of this data sheet should check for themselves the Information and the suitability of the products for their purpose and not make any assumptions based on information included or omitted. Liability for loss or damage resulting from any reliance on the Information or use of it (including liability resulting from negligence or where the Group was aware of the possibility of such loss or damage arising) is excluded. This will not operate to limit or restrict the Group's liability for death or personal injury resulting from its negligence. Multicomp is the registered trademark of the Group. © Premier Farnell plc 2013.