

**Ordering number C12083_BROOKE-SCR-M**

Family	Brooke	FWHM	23 degrees
Type	Reflector	Efficiency	(simulated) 0 %
LED	BXRA ES Star	cd/lm	-
Color	Metal	Gerber File	Available
Diameter	45 mm		
Height	20.2 mm		
Style	Round		
Optic Material	PC		
Holder Material	-		
Fastening	Screw, glue		
Status	Ready		

**Ordering number C12084_BROOKE-SCR-W**

Family	Brooke	FWHM	42 degrees
Type	Reflector	Efficiency	(simulated) 0 %
LED	BXRA ES Star	cd/lm	-
Color	Metal	Gerber File	Available
Diameter	45 mm		
Height	20.2 mm		
Style	Round		
Optic Material	PC		
Holder Material	-		
Fastening	Screw, glue		
Status	Ready		

NOTE: The typical divergence will be changed by different color, chip size and chip position tolerance. The typical total divergence is the full angle measured where the luminous intensity is half of the peak value.



PRODUCT DATASHEET

Brooke series

last update 8/10/2013



GENERAL INFORMATION

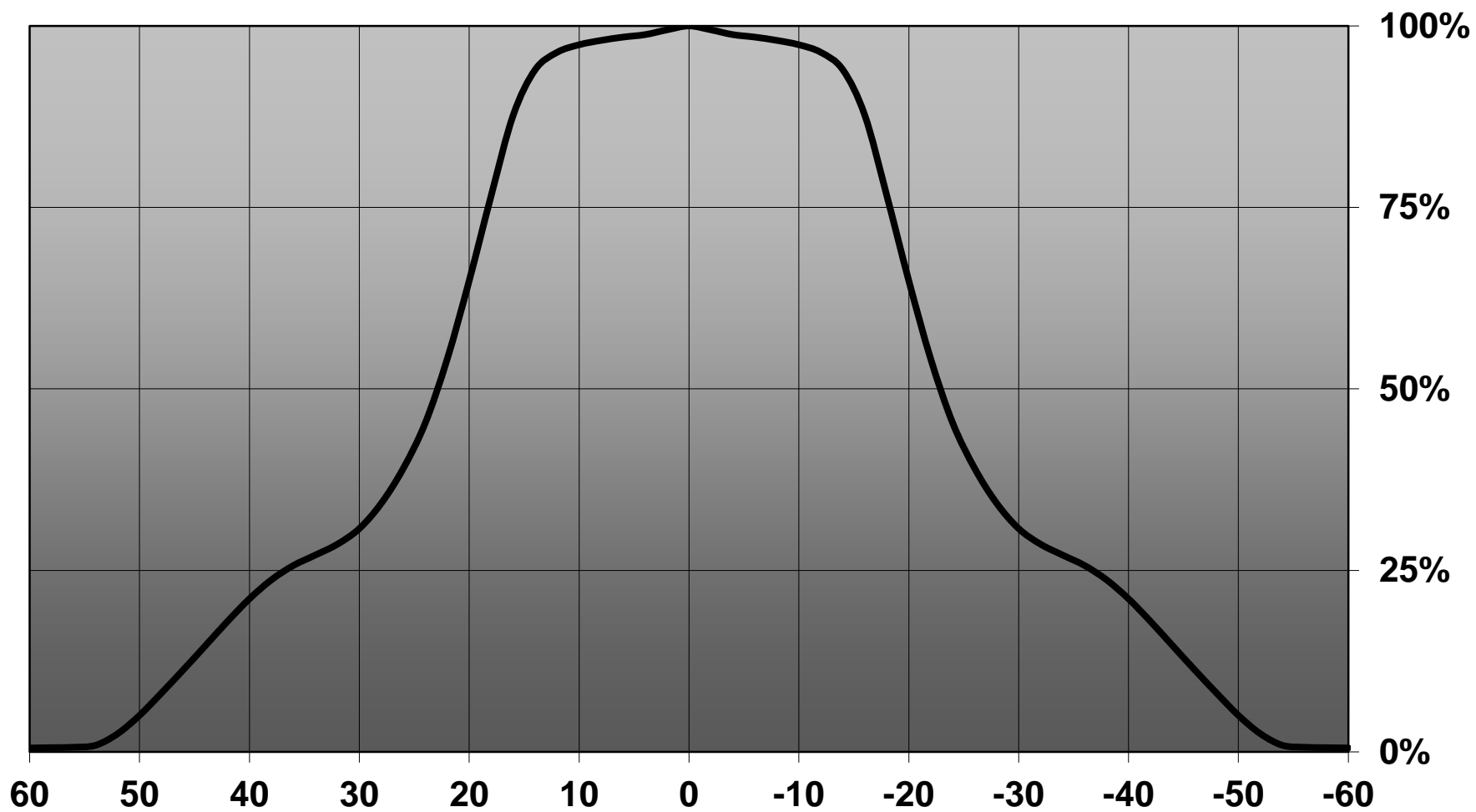
- Product series especially designed & optimized for BXRA ES Star series of LEDs.
- Special care taken to make light distribution as uniform as possible.
- Reflector is made of aluminium coated PC (120 degrees of Celcius / 248 degrees of Fahrenheit) with protective lacquer (110 degrees of Celcius / 230 degrees of Fahrenheit).
- Fastening to PCB with appropriate adhesive. By clicking link below you can find Ledil recommended glue options.
http://www.ledil.com/datasheets/DataSheet_GLUES.pdf

NOTE 1: We advise customer to ensure the suitability and sufficiency of the bond in the end product. For example, mechanical stress, vibration and holes on the surface of the circuit board weaken the strength of the glue.

NOTE 2: All surfaces where glue is applied must be clean, dry and free from grease and dirt. If cleaning of PCB surfaces is needed, please follow strictly the cleaning instructions of your LED manufacturer -this is important as cleaning shall under no circumstances damage LEDs or other electronics components on the PCB.

Further note that optical components shall not be cleaned with any chemicals - only micro fiber cloth may be used to remove fingerprints or other traces from handling.

Relative intensity of C12084_Brooke-SCR-W_Cree CXA20



D

C

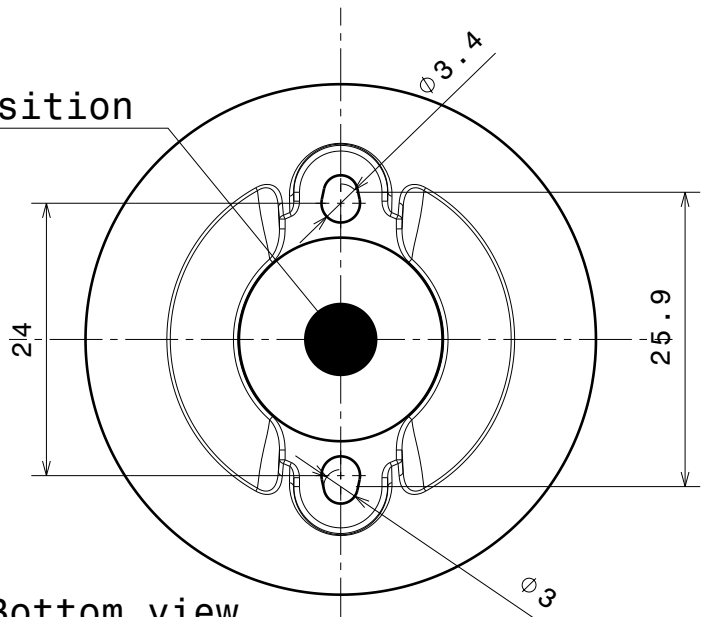
B

A

4

4

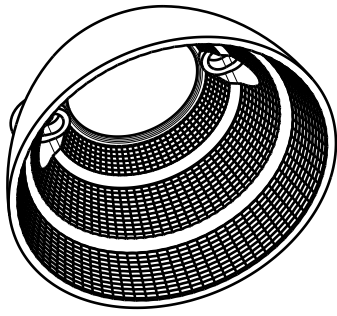
Led position



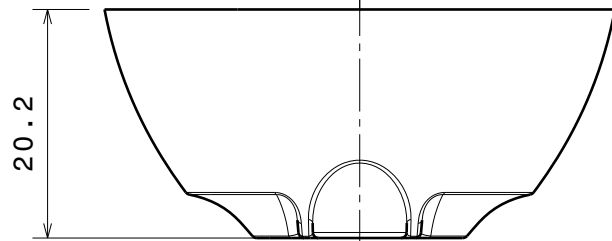
Bottom view

3

3



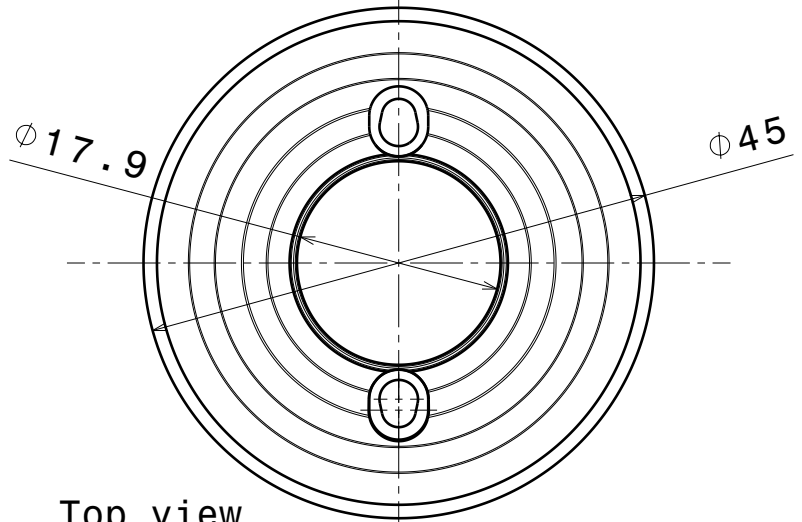
Isometric 1:1



Front view

2

2



Top view

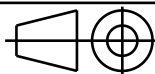
Material:PC Color: Metal

Tolerances if not otherwise shown
 According to DIN ISO 2768-1
 Linear measures:
 Up to 30mm class F, otherwise class M.
 According to DIN ISO 2768-2
 Form and position: class K



Ledil Oy
 Salorankatu 10
 FIN 24240 SALO
 Finland

THIRD ANGLE PROJECTION:



DRAWING TITLE

Datasheet Brooke-SCR Reflector

This drawing is the property of LEDiL Oy. It may not be reproduced, copied or communicated without a written agreement with LEDiL Oy."

SIZE PART NUMBER

A4

-

SCALE 3:2 WEIGHT

-

SHEET 1/1

1

1

D

A