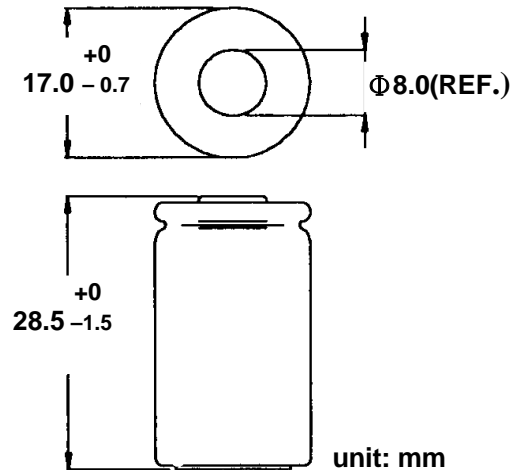
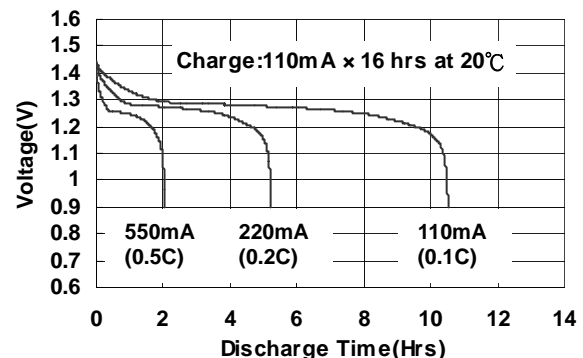


Type	: Rechargeable Nickel Metal Hydride Cylindrical Cell
Nominal Dimension (with Sleeve)	: $\Phi = 17.0\text{mm}$ $H = 28.5\text{mm}$
Applications	: Recommended discharge current: 110mA to 3300mA
Nominal Voltage	: 1.2V
Capacity	: Nominal: 1100mAh Minimum: 1100mAh Typical: 1133mAh When discharged at 220mA to 1.0V at 20°C
Charging Condition	: 110mA for 16 hrs at 20°C
Fast Charge	: 550mA to 1100mA at (0.5 to 1C) charge termination control recommended control parameters: ΔV : 0-5mV DT/dt : 0.8°C/min(0.5 to 0.9C) 0.8 - 1°C/min(1C) TCO : 45-50°C Timer : 105% nominal input (for ref. only)
Service Life	: >500 cycles (IEC 61951-2)
Continuous Overcharge	: 110mA maximum current for 1 year No conspicuous deformation and/or leakage
Weight	: 21.0g
Internal Resistance	: Average 25 m Ω upon fully charged (Range 18 - 36m Ω) at 1000Hz
Max. Charging Voltage	: 1.5V at 110mA charging
Ambient Temperature Range	: Standard Charging : 0 to 45°C Fast Charging : 10 to 45°C Discharging : -20 to 50°C Storage : -20 to 35°C Storage (1 week) : -20 to 60°C

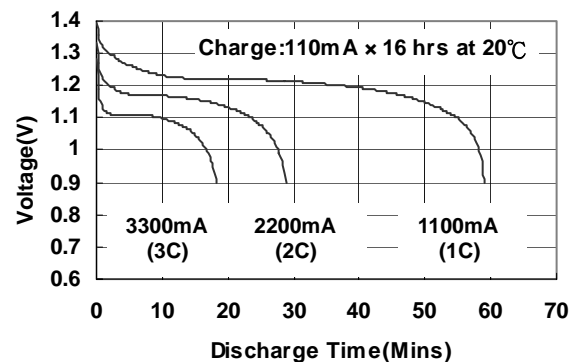
Model No.: **GP110AFH**



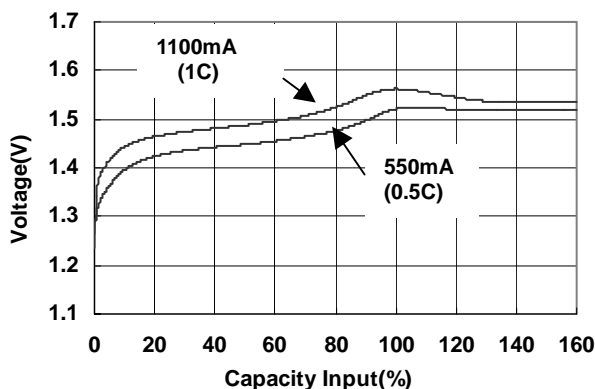
Low Rate Discharge



High Rate Discharge



Fast Charge (Charge Control Required)



The information (subject to change without prior notice) contained in this document is for reference only and should not be used as a basis for product guarantee or warranty. For applications other than those described here, please consult your nearest GP Sales and Marketing Office or Distributors.