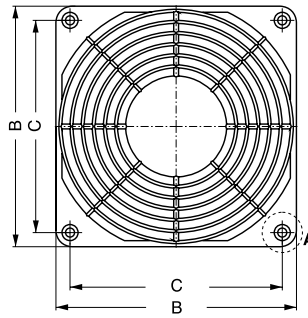
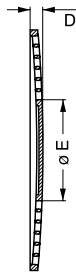
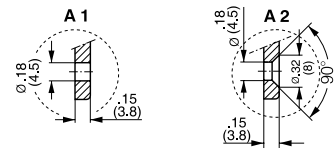


# Accessories - Plastic Finger Guards Tubeaxial Fan

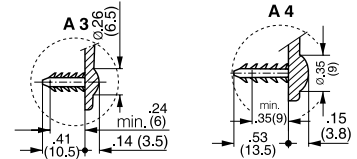
| Part Number | Fan series | Dimensions LZ 32.. |          |             |              |           |           |
|-------------|------------|--------------------|----------|-------------|--------------|-----------|-----------|
|             |            | Finger Guards      | Mounting | B           | C            | D         | E         |
| LZ32-2      | 8000       | LZ32-2             | A 1      | 3.15 (80)   | 2.82 (71.5)  | .28 (7)   | 1.34 (34) |
| LZ32-3      | 8000       | LZ32-3             | A 3      | 3.15 (80)   | 2.82 (71.5)  | .28 (7)   | 1.34 (34) |
| LZ23-2      | 3000       | LZ23-2             | A 1      | 3.64 (92.5) | 3.25 (82.5)  | .26 (6.5) | 1.81 (46) |
| LZ23-3      | 3000       | LZ23-3             | A 3      | 3.64 (92.5) | 3.25 (82.5)  | .26 (6.5) | 1.81 (46) |
| LZ30-5      | 9000       | LZ30-5             | A 2      | 4.69 (119)  | 4.14 (105)   | .26 (6.5) | 1.97 (50) |
| LZ30-6      | 9000       | LZ30-6             | A 4      | 4.69 (119)  | 4.14 (105)   | .26 (6.5) | 1.97 (50) |
| LZ30P       | 9000       | LZ33-1             | A 2      | 5.0 (127)   | 4.47 (113.5) | .26 (6.5) | 1.97 (50) |
| LZ30-5      | 4000       | LZ33-2             | A 4      | 5.0 (127)   | 4.47 (113.5) | .26 (6.5) | 1.97 (50) |
| LZ30-6      | 4000       |                    |          |             |              |           |           |
| LZ30P       | 4000       |                    |          |             |              |           |           |
| LZ33-1      | 5200       |                    |          |             |              |           |           |
| LZ33-2      | 5200       |                    |          |             |              |           |           |
| LZ33-1      | 5900       |                    |          |             |              |           |           |
| LZ33-2      | 5900       |                    |          |             |              |           |           |



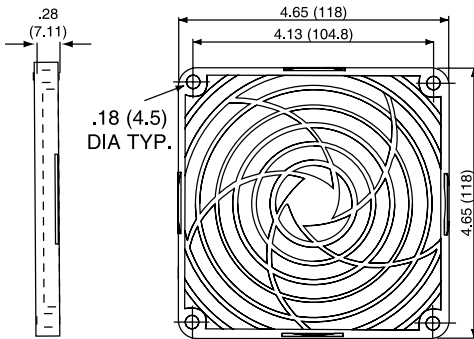
### Screw connection



### Barbed inserts



### LZ30P



### LZ32P

