

Overview 0

Cabinets 1

Wall mounted cases 2

Accessories for cabinets and wall mounted cases 3

Climate control 4

Desk-top cases 5

Subracks/
19" chassis 6

Front panels,
plug-in units 7

Systems 8

Power supply
units 9

Backplanes 10

Connectors, front
panel component
system 11

Appendix 12

Desk-top cases - *comptec*



02202003

Standards

- Internal dimensions in accordance with IEC 60297-3-100
- Type of protection IP 20 in accordance with IEC 60529
- Protective ground connections in accordance with:
DIN EN 50178/VDE 0160
DIN EN 60950/VDE 0805
DIN EN 61010-1/VDE 0411 part 1
DIN EN 61010-1A2/VDE 0411 part 1/A1



Downloads and further important information can be found on the Internet under www.schroff.biz



Desk-top cases - *comptec*

Overview 5.92

Case to accept 19" subracks or 19" subrack enclosures

- Internal assemblies of up to 40 kg
- Up to six rows of ventilation slots in the base plate for optimal air inlet
- High stability
- Front and rear identical, depth-symmetrical construction
- With handle strip or recessed grip



02202004

Steel case

- Al die-cast frame front and rear, cladding parts in steel
- Top cover and base plate removable subsequently
- Top cover and base plate equipped with hidden GND/earthing connections
- Case heights 3, 4, 6, 7 and 9 U

comptec

3, 4 U, St	5.94
6, 7, 9 U, St	5.95
9, 12 U, Al	5.96

Accessories

Folding handles	5.97
Slide rails	5.97
Earthing kit	5.98
Assembly kit	5.98
Tip-up feet	5.99



02202003

Aluminium case

- Al die-cast frame front and rear, cladding parts in aluminium
- Top cover and base plate removable subsequently
- Top cover and base plate equipped with hidden GND/earthing connections
- Case heights 9 U and 12 U

ServicePLUS from page 5.110

- e.g. modifications (special colours, cut-outs)
- e.g. custom solutions (special sizes)
- e.g. assembly service from 1 piece

www.schroff.biz/serviceplus/



30407004

ServicePLUS . 5.110



Desk-top cases - *comptec*

19" cases 3 and 4 U



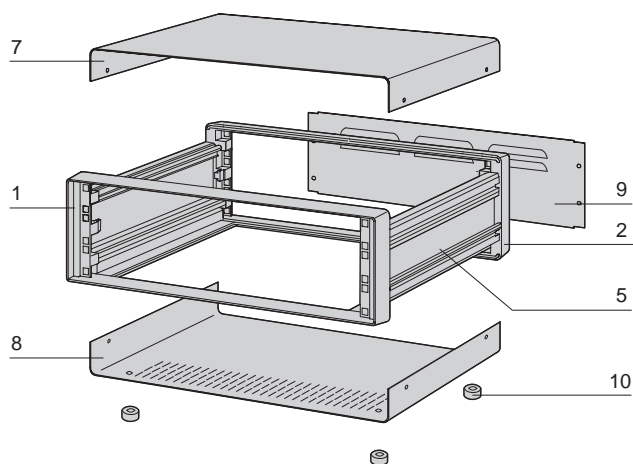
02202001

- Desk-top enclosure (pre-assembled)
- Steel top cover, base plate and rear panel
- Al die-cast front and rear frames
- Ventilation slots in base plate
- Air vents in rear panel

Delivery comprises (kit)

Item	Qty	Description
1	1	Front frame, Al die-cast, RAL 7016, with 19" grid
2	1	Rear frame, Al die-cast, RAL 7016, with 19" grid
5	2	Side panel, Al extrusion, RAL 7016
7	1	Cover plate, Al, 1 mm, RAL 9006, with GND/earthing tag
8	1	Base plate, Al, 1 mm, RAL 9006, with GND/earthing tag
9	1	Rear panel, St, 1 mm, RAL 9006, with GND/earthing tag
10	4	Case foot with anti-slip protection, PC, black, UL 94 V-0
11	1	Assembly kit

Items 1, 2, 5 and 9 fitted



CTTP0001

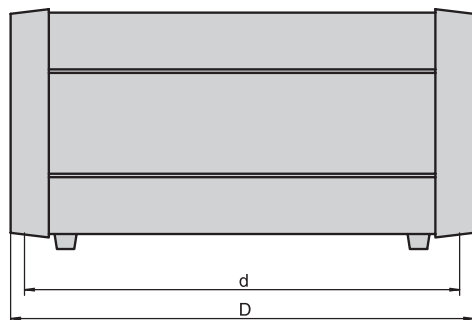
Front view



CTA30677

Usable width $b = B - 69$ mm, h = height of case foot

Side view



CTA42313

Usable width $b = B - 69$ mm,
 h = height of case foot

Order information

	Height H	h	Depth D	Usable depth d	Width	Part no.
U	mm	mm	mm	mm	mm	
3	153	13.0	300	276	520	10225-601
3	153	13.0	400	376	520	10225-612
3	153	13.0	500	476	520	10225-623
4	198	13.0	300	276	520	10225-602
4	198	13.0	400	376	520	10225-613
4	198	13.0	500	476	520	10225-624

Note

- Please order earthing kit separately, see page 5.98
- Case foot (item 10) can be replaced by a tip-up foot, see page 5.99
- Please order slide rails separately, see page 5.97



For further information www.schroff.biz/oneclick
oneClick search code = Part no.



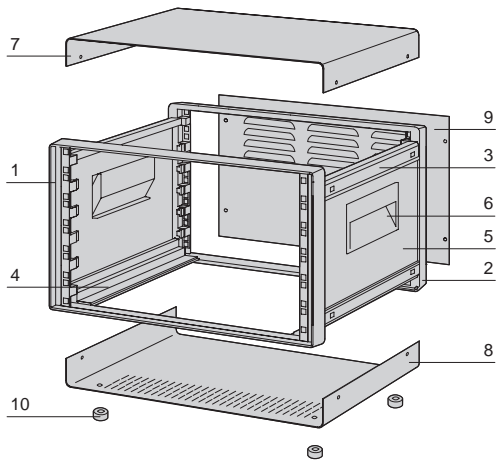
ServicePLUS see page 5.110

Desk-top cases - *comptec*

19" case 6 - 9 U

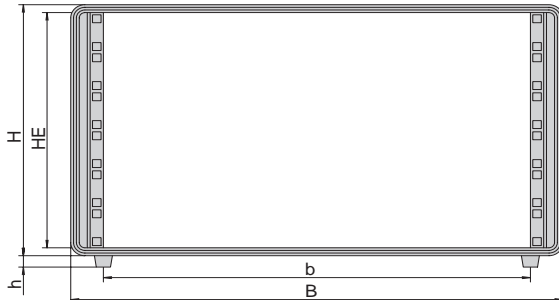


02202002



CTTP0002

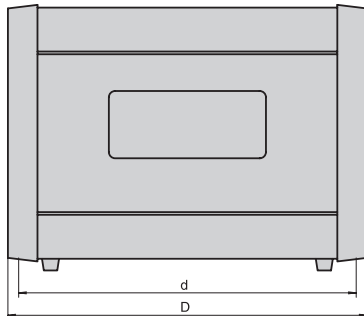
Front view



CTA30676

Usable width $b = B - 69$ mm, $h =$ height of case foot

Side view



Usable depth $d = D - 24$ mm

CTA42312

- Desk-top enclosure (pre-assembled)
- With handle shell
- Steel top cover, base plate and rear panel
- Al die-cast front and rear frames
- Ventilation slots in base plate
- Air vents in rear panel

Delivery comprises (kit)

Item	Qty	Description
1	1	Front frame, Al die-cast, RAL 7016, with 19" grid
2	1	Rear frame, Al die-cast, RAL 7016, with 19" grid
3	2	Side profile at top, Al extrusion, RAL 7016
4	2	Side profile at bottom, Al extrusion, RAL 7016
5	2	Side panel, St, 1.5 mm, RAL 9006, with GND/earthing tag
6	2	Handle shell, PC, RAL 7016, UL 94 V-0, load-carrying capacity: 60 kg/pair
7	1	Cover plate, Al, 1 mm, RAL 9006, with GND/earthing tag
8	1	Base plate, Al, 1 mm, RAL 9006, with GND/earthing tag
9	1	Rear panel, St, 1 mm, RAL 9006, with GND/earthing tag
10	4	Case foot with anti-slip protection, PC, black, UL 94 V-0
11	1	Assembly kit

Items 1, 2, 3, 4, 5, 6 and 9 fitted.

Order information

Height H	h	Depth D	Usable depth d	Width	Part no.	
U	mm	mm	mm	mm		
6	286	13	300	276	520	10225-604
6	286	13	400	376	520	10225-615
6	286	13	500	476	520	10225-626
6	286	13	600	576	520	10225-637
7	331	13	400	376	520	10225-616
7	331	13	500	476	520	10225-627
7	331	13	600	576	520	10225-638
9	420	13	400	376	520	10225-618
9	420	13	500	476	520	10225-629
9	420	13	600	576	520	10225-640

Note

- Please order earthing kit separately, see page 5.98
- Case foot (item 10) can be replaced by a tip-up foot, see page 5.99
- Please order slide rails separately, see page 5.97
- Handle shell item 6 can be replaced by a folding handle, see page 5.97



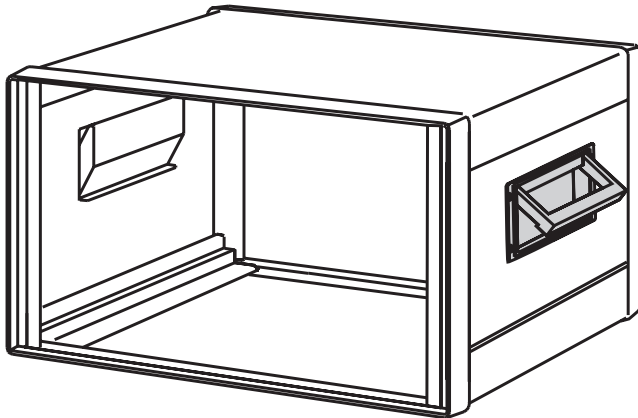
For further information www.schroff.biz/oneclick
oneClick search code = Part no.



ServicePLUS see page 5.110

Desk-top cases - *comptec*

Folding handles



CTTP0006

- Folding handles can be used instead of the pre-mounted handles shells.
- Load-carrying capacity: 50 kg/pair

Delivery comprises (kit)

Item	Qty	Description
1	2	Folding handle, Al die-cast, RAL 7016
2	1	Assembly kit

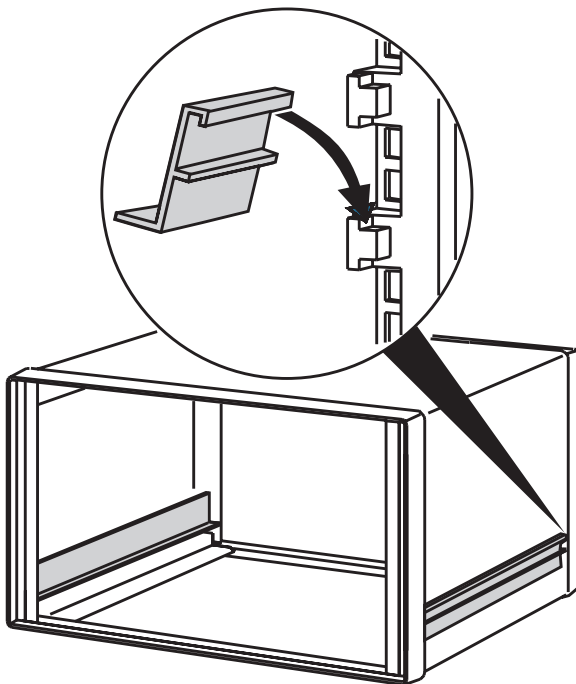
Order information

Description	Part no.
Folding handle	20225-439



For further information www.schroff.biz/oneclick
oneClick search code = Part no.

Slide rails



CTTP0005

- Slide rails are suitable as support for 19" subracks and 19" chassis

Delivery comprises

Item	Qty	Description
1	1	Slide rail, Al extrusion, anodised, cut edges plain, load-carrying capacity 10 kg

Order information

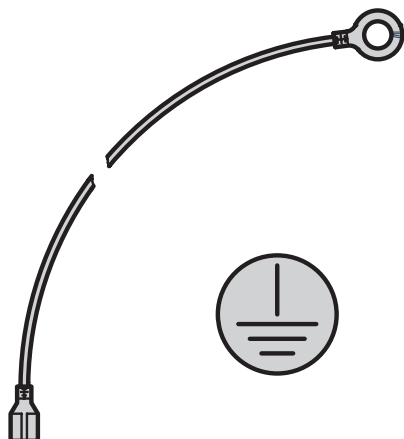
For case depth	Part no.
mm	
300	30225-089
400	30225-090
500	30225-091
600	30225-092



For further information www.schroff.biz/oneclick
oneClick search code = Part no.

Desk-top cases - *comptec*

GND/earthing kit



aza43284

- The GND/earthing kit allows VDE compliant earthing of cases in accordance with:
EN 50178/VDE 0160
EN 60950/VDE 0805
EN 61010-1/VDE 0411 part 1
EN 61010-1A2/VDE 0411 part 1/A
- VDE tested

Delivery comprises (kit)

Item	Qty	Description
1	1	GND/earthing kit, Cu wire, 1.5 mm ² , PVC sheathing, green/yellow, connects side panels, cover, base and rear panel

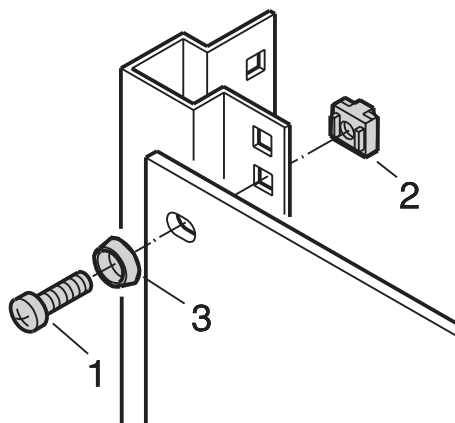
Order information

Description	Up to 4 U Part no.	bigger than 4 U Part no.
GND/earthing kit for cases with steel covers	21100-490	21100-448
GND/earthing kit for cases with aluminium covers	-	21100-347



For further information www.schroff.biz/oneclick
oneClick search code = Part no.

19" fixing



SC128XXX

- For fitting subracks or 19" subrack enclosures in a comptec case
- For fixing 19" front panels

Delivery comprises

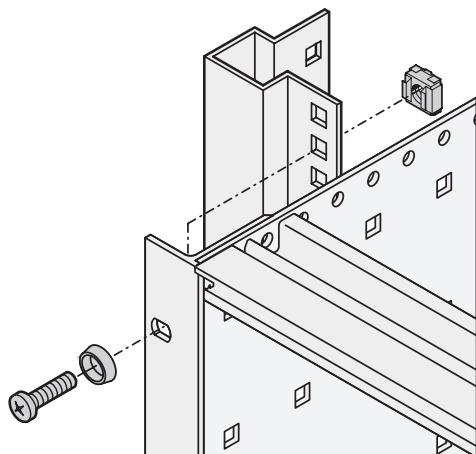
Item	Description
1	Screw M6 × 16, zinc-plated with Pozidrive
2	Cage nut M6, zinc-plated
3	Plastic washer, ABS, black

Order information

Description	Part no.
PU = 8 × screw, washer, nut	21100-435
PU = 50 × screw, washer, nut	21101-809
PU = 100 × screw, washer, nut	21101-810



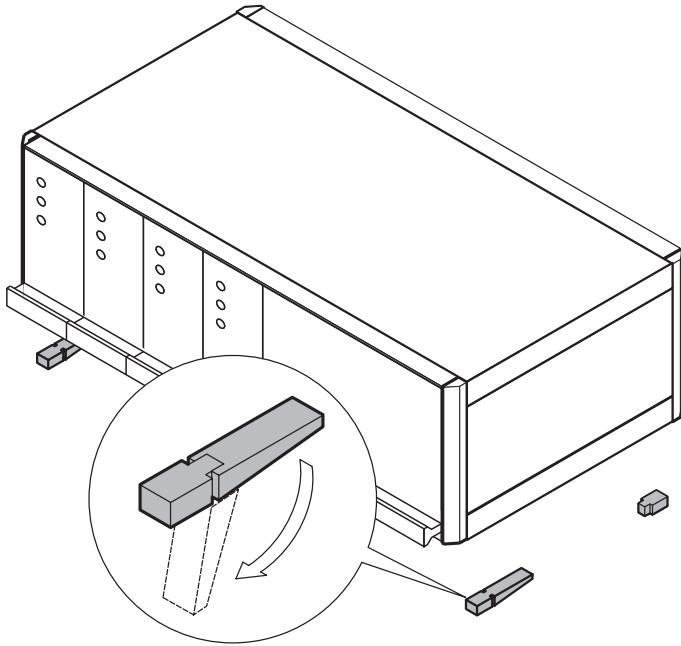
For further information www.schroff.biz/oneclick
oneClick search code = Part no.



06108055

Desk-top cases - *comptec*

Plastic tip-up foot



- Tip-up feet can be used instead of the pre-mounted case feet
- Load-carrying capacity 25 kg per foot
- Mounting holes in bottom of case

Delivery comprises (kit)

Item	Qty	Description
1	4	Foot, PA, UL 94 V-0
2	4	Anti-slip protection, TPE
3	2	Tip-up device, PA ,UL 94 V-0
4	1	Assembly kit

Order information

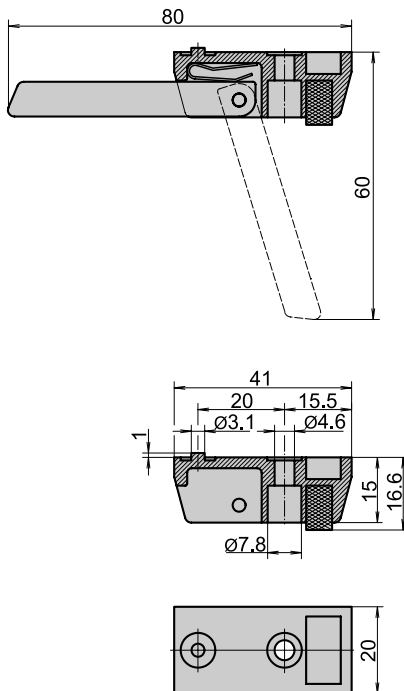
Description	RAL 7016 anthracite Part no.	RAL 9006 silver Part no.
Plastic tip-up foot	20603-002	20603-001

01802075



For further information www.schroff.biz/oneclick
oneClick search code = Part no.

Al die-cast foot with/without tip-up



- Tip-up feet can be used instead of the pre-mounted case feet
- Load-carrying capacity: 50 kg per foot
- Mounting holes in bottom of case

Order information

Description	Qty	Part no.
Foot with tip-up, Al die-cast, silver	1 piece (SPQ 10) ¹⁾	10603-002
Foot without tip-up, Al die-cast, silver	1 piece (SPQ 10) ¹⁾	10603-001

Cheesehead screw with slot M4 × 12, St, zinc-plated, PU 100 pieces **21101-211**

Hexagon nut M4, St, zinc-plated, PU 100 pieces **21100-211**

Spring washer A4, St, zinc-plated, PU 100 pieces **21100-207**

1) Order no. comprises 1 piece. Delivery is exclusively in standard pack quantity (SPQ): Please order a minimum of 10 feet or a multiple. Pricing is per individual item.



For further information www.schroff.biz/oneclick
oneClick search code = Part no.

AZA43836