



TE Connectivity

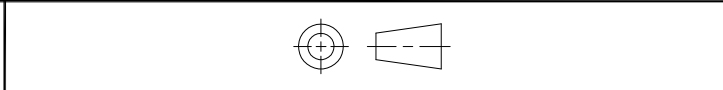
## CUSTOMER DATA

PART NO. 1432876-1 SHT. 1 OF 2

DRAWN N.TABAKOVIC APPROVAL L.BENNETT DATE 10-24-06 SCALE 1:1

CUSTOMER TE\_CONNECTIVITY\_STANDARD

TOLERANCE UNLESS SPECIFIED OTHERWISE 0.X = +/- 0.XX = +/- 0.XXX = +/- ANGLES = +/-



CHANGES			
REV.	DATE	CO	APP.
B1	29MAR11	REVISED PER ECO-11-005139	RK/HMR

DO NOT SCALE THIS DRAWING

ELECTRICAL CHARACTERISTICS: (ALL DATA APPLIES @ 23°C UNLESS OTHERWISE SPECIFIED)COIL DATA:

NOMINAL VOLTAGE: 24 VDC  
 OPERATE VOLTAGE: 15.6 VDC MAXIMUM  
 RELEASE VOLTAGE: 2.4 VDC MINIMUM  
 COIL RESISTANCE: 360 OHMS +/- 10%  
 OPERATE TIME: 10 mSEC. MAXIMUM EXCLUDING BOUNCE  
 RELEASE TIME: 13 mSEC. MAXIMUM EXCLUDING BOUNCE  
 TEMPERATURE RANGE: OPERATING -40°C TO +85°C

CONTACT DATA: (CONTACT DATA IS FORMATTED N.O./N.C.)

CONTACT ARRANGEMENT: 1 FORM C (SPDT)  
 CONTACT MATERIAL: AgSn0 (SILVER TIN-OXIDE)  
 CONTACT MILLIVOLT DROP: 200mv @ 35A ON N.O. CONTACTS (AFTER SWITCHING)  
 250mv @ 20A ON N.C. CONTACTS (AFTER SWITCHING)  
 MAXIMUM MAKE CURRENT: 90A/30A (LAMP) @ 16 VDC  
 MAXIMUM BREAK CURRENT: 40A/30A @ 16 VDC RESISTIVE  
 MAXIMUM CONTINUOUS CURRENT: 40A/30A @ 23°C , 35A/20A @ 85°C  
 INITIAL BREAKDOWN CURRENT 500V RMS CONTACTS TO COIL

EXPECTED LIFE: 100,000 OPERATIONS, 40 A, 14 VDC RESISTIVE ON NORMALLY OPEN CONTACT

MECHANICAL CHARACTERISTICS:

EXPECTED LIFE: 10 MILLION OPERATIONS, NO CONTACT LOAD  
 TERMINALS BRASS, UNPLATED

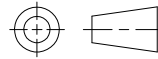
DRAWN N.TABAKOVIC	APPROVAL L.BENNETT	DATE 10-24-06	SCALE 1:1
----------------------	-----------------------	------------------	--------------

CUSTOMER  
TE\_CONNECTIVITY\_STANDARD

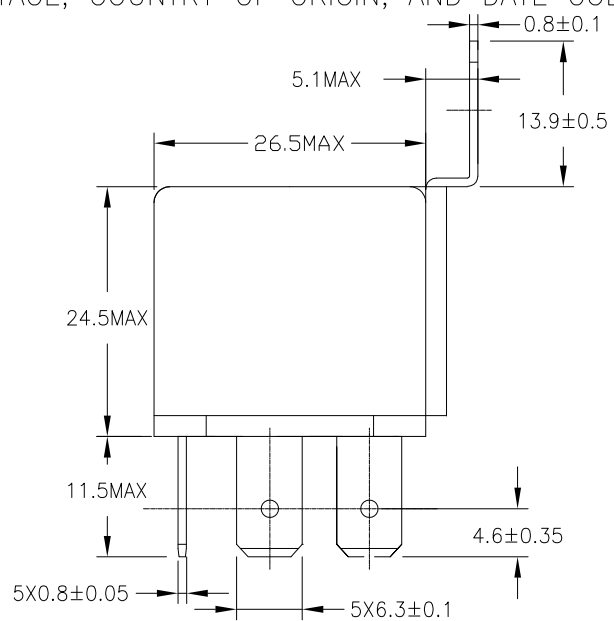
TOLERANCE UNLESS SPECIFIED OTHERWISE	0.X = +/-	0.XX = +/-	0.XXX = +/-	ANGLES = +/-
---	-----------	------------	-------------	--------------

DO NOT SCALE THIS DRAWING

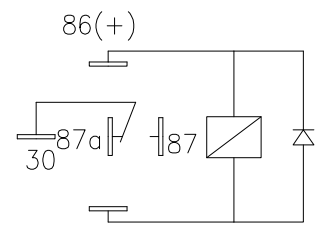
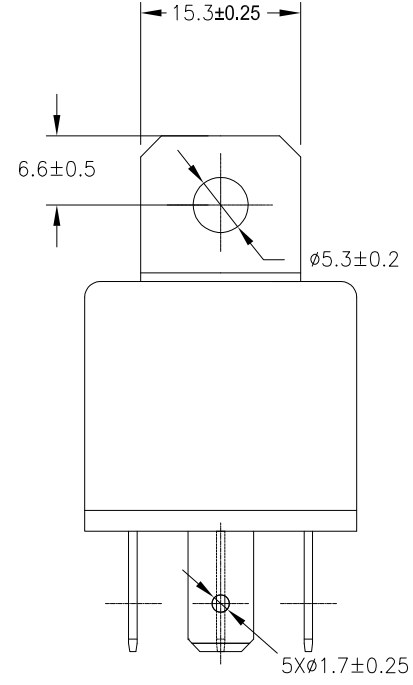
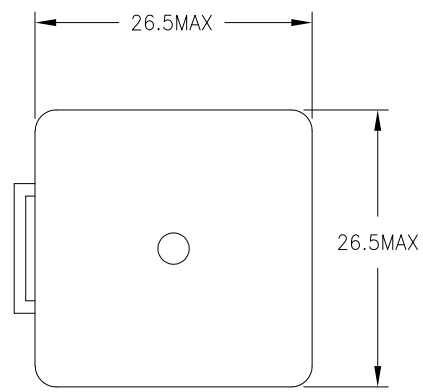
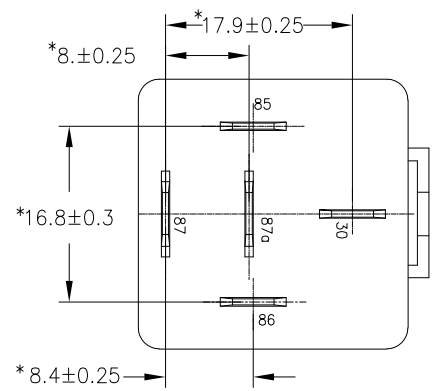
REV B1  
  
MILLIMETERS



MARKING TO INCLUDE:  
TYCO ELECTRONICS NAME, TE CONNECTIVITY PART NUMBER, SCHEMATIC,  
COIL VOLTAGE, COUNTRY OF ORIGIN, AND DATE CODE



K ASPECT



SCHEMATIC DRAWING  
(BOTTOM VIEW)

\* TERMINAL LOCATIONS  
APPLY AT THE BASE  
OF THE TERMINALS