

Miniature Toggle Switches

Specifications:

Contact rating:	250 V AC, 3 A / 125 V AC, 6 A 30 V DC, 4 A / 12 V DC, 5 A 6 V DC, 6 A
Contact resistance:	< 10 mΩ
Insulation resistance:	> 1000 MΩ at 500 V DC
Dielectric strength:	1500 V, 50 Hz for the duration of 1 minute
Operating temperature:	- 20° to + 80° C
Mechanical life:	minimum 100 000 operations
Contacts:	coin silver (common contact copper alloy, silver-plated)
Terminals:	solder tags, copper alloy silver-plated further terminal versions see page 8
Material:	case: diallyle-phthalate meets UL 94 V-0, green lever: chromium-plated, metal parts: nickel-plated
Mounting:	bushing M 6 x 0,75 with locking plate, key 9 mm
Soldering conditions:	hand-soldering – max.: 60 W, 3 sec, 350° C auto-soldering – max.: 5 sec, 270° C

Accessories:

Knurled nut, chromium-plated

M 6 x 0,75, Ø 8 mm R 675



Plastic caps (height 11,5 mm)

orange	C 1103
blue	C 1104
black	C 1105
green	C 1106
grey	C 1107
yellow	C 1108
red	C 1109
white	C 1110



Waterproof sealing caps (height 14,3 mm)

black ET 102

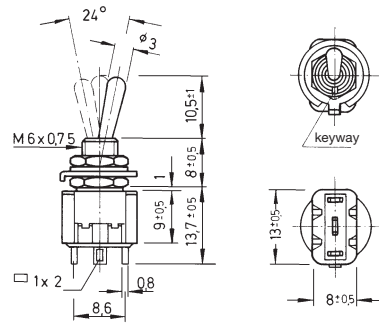
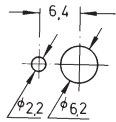


Miniature Toggle Switches

Models: Switching functions

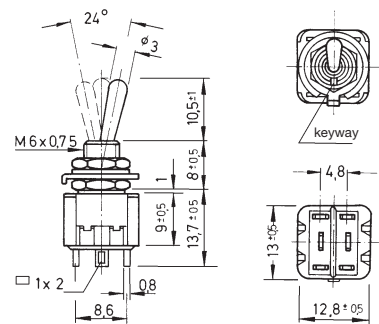
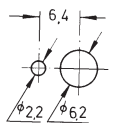
SPDT

STA 106 D	on	-	on
STA 106 E	on	off	on
STA 106 F	mom	-	on
STA 106 G	mom	off	mom
STA 106 H	mom	off	on



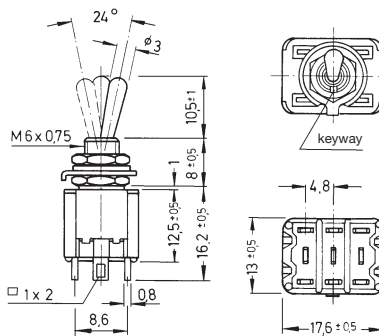
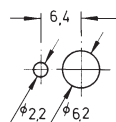
DPDT

STA 206 N	on	-	on
STA 206 P	on	off	on
STA 206 R	mom	-	on
STA 206 S	mom	off	mom
STA 206 T	mom	off	on
STA 206 PA	on	on	on
STA 206 SA	mom	on	mom
STA 206 TA	mom	on	on



3PDT

STA 306 D	on	-	on
STA 306 E	on	off	on



4PDT

STA 406 N	on	-	on
STA 406 P	on	off	on
STA 406 PA	on	on	on

