

Toggle Switches Miniature



**RoHS
Compliant**

Specifications:

Contact Rating : Dependent upon contact material
 Mechanical Life : 40,000 make and break cycles
 Max. Contact Resistance : 10mΩ
 Initial Voltage : 2 to 4V DC
 Current : 10mA for both silver and gold plated contacts
 Min. Insulation Resistance : 1,000MΩ
 Dielectric Strength : 1,000Vrms at sea level
 Operating Temperature : -30°C to 85°C

Materials:

Case : Diallyl phthalate (DAP)
 Actuator : Brass, chrome plated
 Bushing : Brass, nickel plated
 Housing : Stainless steel
 Switch support : Brass, tin plated
 Terminal/contact : Silver or gold plated



Switch Function

Number of Poles	UL/CSA Model Numbers	Model Number	Switch Function			Connected Terminals/Schematic		
			Position 1	Position 2	Position 3	Position 1	Position 2	Position 3
SP	Q1111	1MS1	On	None	ON	2 to 3	N/A	2 to 1
	Q1112	1MS2		None	MOM			
	Q1113	1MS3	Off	ON	Open			
	Q1114	1MS4		MOM			MOM	
	Q1115	1MS5	On	None	ON	N/A	2 to 1, 5 to 4	
Q1121	1MD1	MOM			MOM			
DP	Q1122	1MD2	On	None	ON	2 to 3, 5 to 8	N/A	2 to 1, 5 to 4
	Q1123	1MD3		None	MOM			
	Q1124	1MD4	Off	None	ON	Open		
	Q1125	1MD5			MOM			MOM
	Q1126	1MD6	On	On	On	2 to 3, 5 to 4	2 to 1, 5 to 4	
	Q1127	1MD7			MOM			MOM
	Q1128	1MD8	On	None	ON	N/A	2 to 1, 5 to 4, 8 to 7	
Q1131	1M31	MOM			MOM			
3P	Q1131	1M31	On	None	On	N/A		
4P	Q1141	1M41						



Toggle Switches Miniature



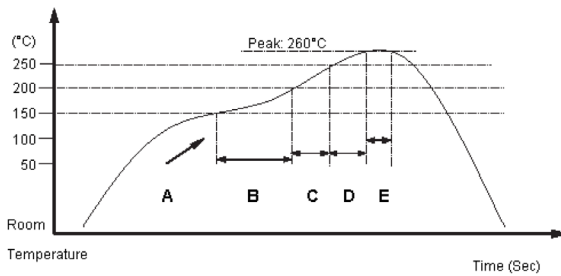
Soldering Process:

- Manual soldering : Use soldering iron of 30 watts, controlled at 350°C approximately 5 seconds while applying solder
- Wave soldering : Recommended soldering temperature : 260 ±5°C
- : Duration of solder immersion : 5 ±1 seconds. (PCB is 1.6mm in thickness)

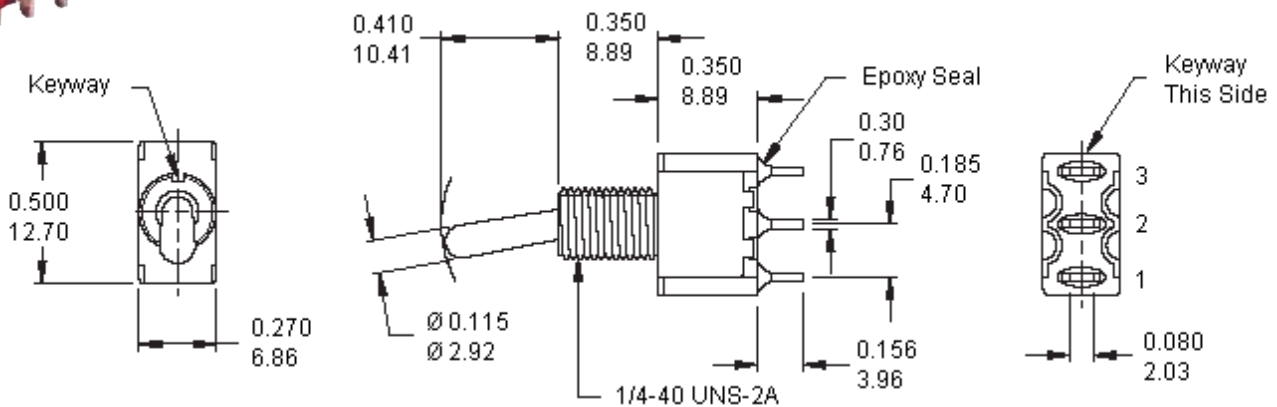
Soldering : Vapour Phase

Temperature Profile

Zone	Room Temperature	Time (seconds)
Pre-heat (A)	150°C	Min. 120 seconds
Soak (B)	180°C to 200°C	Min. 150 seconds
Peak (C)	200°C to 235°C	Min. 30 seconds
Peak (D)	235°C to 260°C	Min. 40 seconds
Peak (E)	260°C	Max. 10 seconds



Pole Options SPDT



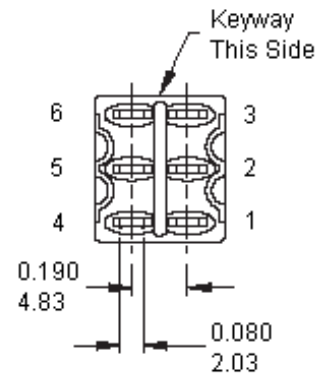
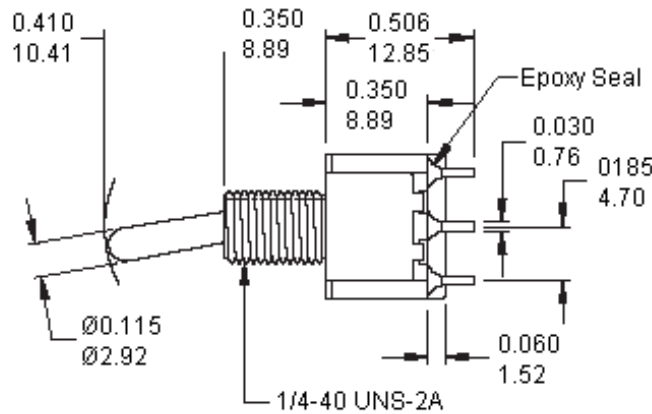
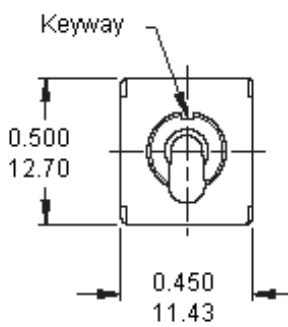
Dimensions : Millimetres (Inches)



Toggle Switches Miniature

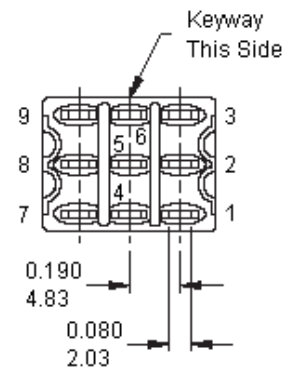
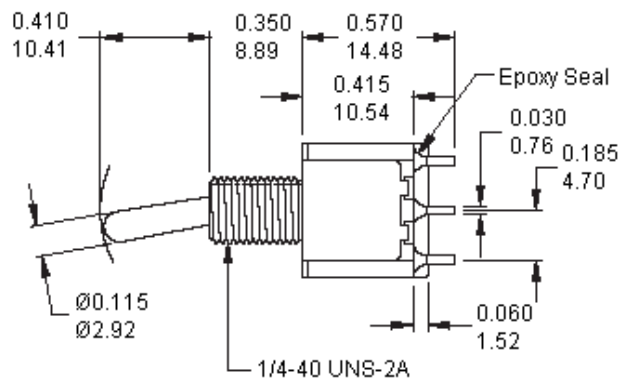
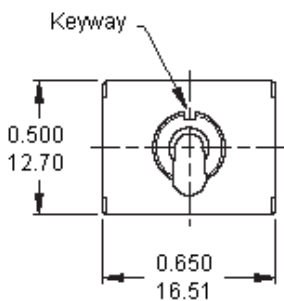


Pole Options DPDT



Dimensions : Millimetres (Inches)

Pole Options 3PDT



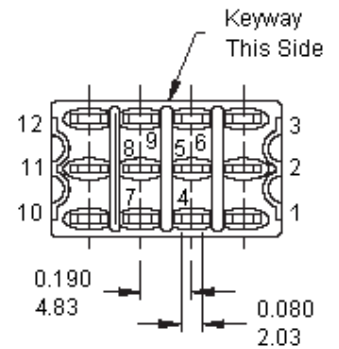
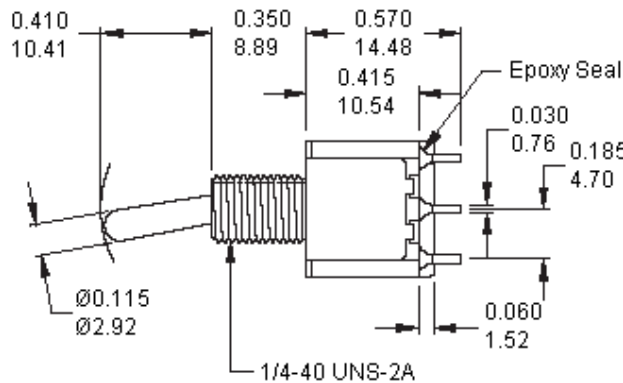
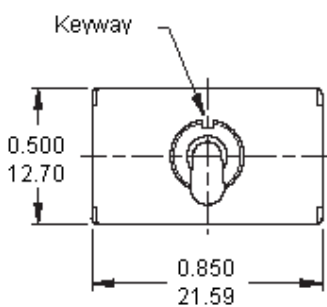
Dimensions : Millimetres (Inches)



Toggle Switches Miniature



Pole Options 4PDT



Dimensions : Millimetres (Inches)

Part Number Table

Description	Part Number
Switch, PCB, SPDT, VERT	1MS1T2B4V2RE
Switch, PCB, SPDT, VERT	1MS3T2B4V2RE
Switch, PCB, SPDT, VERT	1MS2T2B4V2RE
Switch, PCB, SPDT, VERT	1MS4T2B4V2RE
Switch, PCB, SPDT, VERT	1MS5T2B4V2RE
Switch, PCB, DPDT, VERT	1MD1T2B4V3RE
Switch, PCB, SPDT, HORIZ	1MS1T2B4M6RE
Switch, PCB, SPDT, HORIZ	1MS3T2B4M6RE
Switch, PCB, SPDT, HORIZ	1MS4T2B4M6RE
Switch, PCB, DPDT, HORIZ	1MD1T2B4M6RE
Switch, PCB, DPDT, HORIZ	1MD3T2B4M6RE
Switch, PCB, SPDT, HORIZ	1MS1T2B4M7RE
Switch, PCB, SPDT, HORIZ	1MS3T2B4M7RE
Switch, PCB, DPDT, HORIZ	1MD1T2B4M7RE
Switch, SPDT	1MS1T1B5M1QE
Switch, SPDT	1MS3T1B5M1QE
Switch, DPDT	1MD1T1B5M1QE
Switch, DPDT	1MD3T1B5M1QE

Description	Part Number
Switch, SPDT	1MS1T1B1M1QE
Switch, SPDT	1MS1T1B1M1RE
Switch, SPDT	1MS3T1B1M1QE
Switch, SPDT	1MS3T1B1M1RE
Switch, SPDT	1MS4T1B1M1QE
Switch, SPDT	1MS4T1B1M1RE
Switch, SPDT	1MS5T1B1M1QE
Switch, SPDT	1MS5T1B1M1RE
Switch, SPDT	1MS2T1B1M1QE
Switch, SPDT	1MS2T1B1M1RE
Switch, DPDT	1MD1T1B1M1QE
Switch, DPDT	1MD1T1B1M1RE
Switch, DPDT	1MD3T1B1M1QE
Switch, DPDT	1MD3T1B1M1RE
Switch, DPDT	1MD4T1B1M1QE
Switch, DPDT	1MD4T1B1M1RE
Switch, DPDT	1MD5T1B1M1QE
Switch, DPDT	1MD5T1B1M1RE



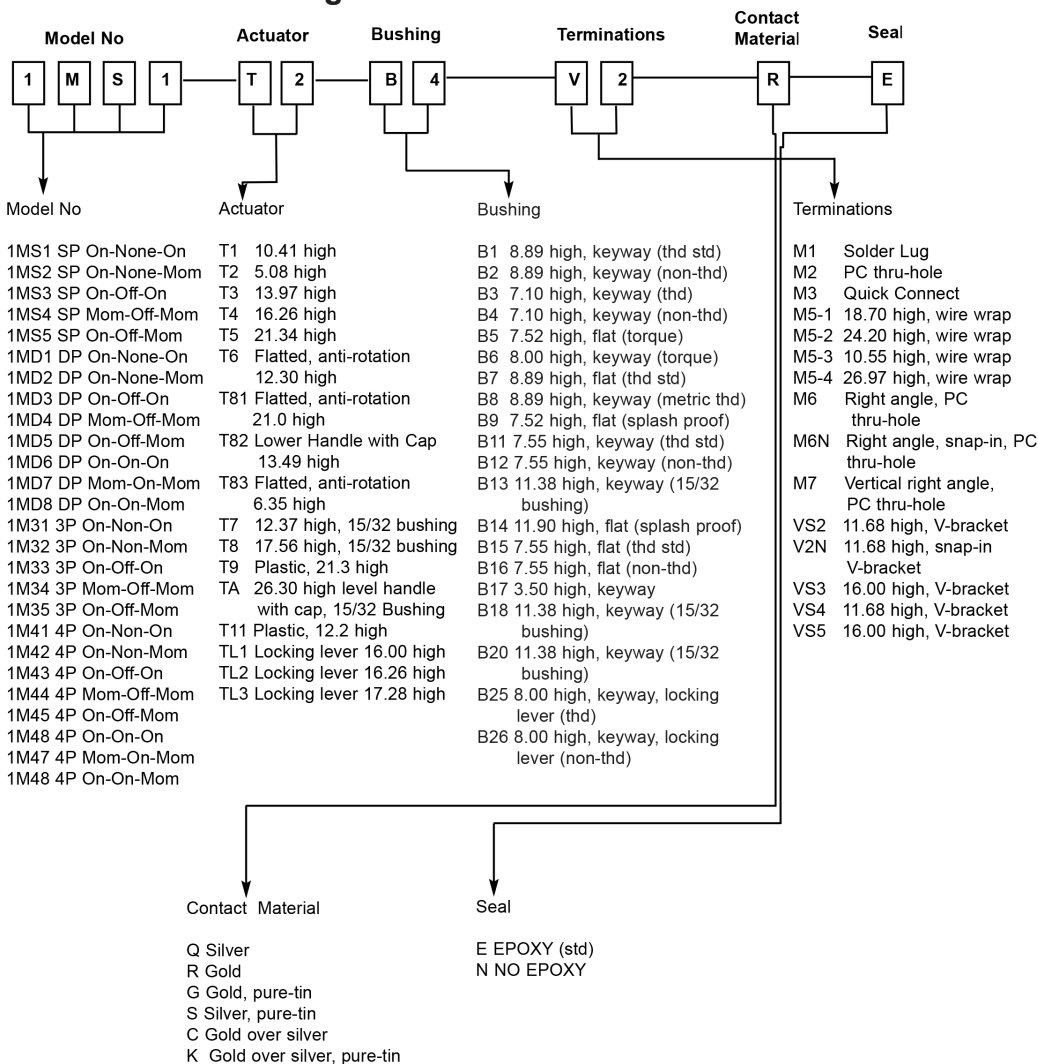
Toggle Switches Miniature



Description	Part Number
Switch, 3PDT	1M31T1B1M1QE
Switch, 4PDT	1M41T1B1M1QE
Switch, SPDT	1MS1T6B11M1QE
Switch, SPDT	1MS3T6B11M1QE
Switch, SPDT	1MS4T6B11M1QE
Switch, SPDT	1MS5T6B11M1QE

Description	Part Number
Switch, SPDT	1MS2T6B11M1QE
Switch, DPDT	1MD1T6B11M1QE
Switch, DPDT	1MD3T6B11M1QE
Switch, 3PDT	1M31T6B11M1QE
Switch, 4PDT	1M41T6B11M1QE

Part Number Ordering:



Important Notice : This data sheet and its contents (the "Information") belong to the members of the Premier Farnell group of companies (the "Group") or are licensed to it. No licence is granted for the use of it other than for information purposes in connection with the products to which it relates. No licence of any intellectual property rights is granted. The Information is subject to change without notice and replaces all data sheets previously supplied. The Information supplied is believed to be accurate but the Group assumes no responsibility for its accuracy or completeness, any error in or omission from it or for any use made of it. Users of this data sheet should check for themselves the Information and the suitability of the products for their purpose and not make any assumptions based on information included or omitted. Liability for loss or damage resulting from any reliance on the Information or use of it (including liability resulting from negligence or where the Group was aware of the possibility of such loss or damage arising) is excluded. This will not operate to limit or restrict the Group's liability for death or personal injury resulting from its negligence. Multicomp is the registered trademark of the Group. © Premier Farnell plc 2012.

