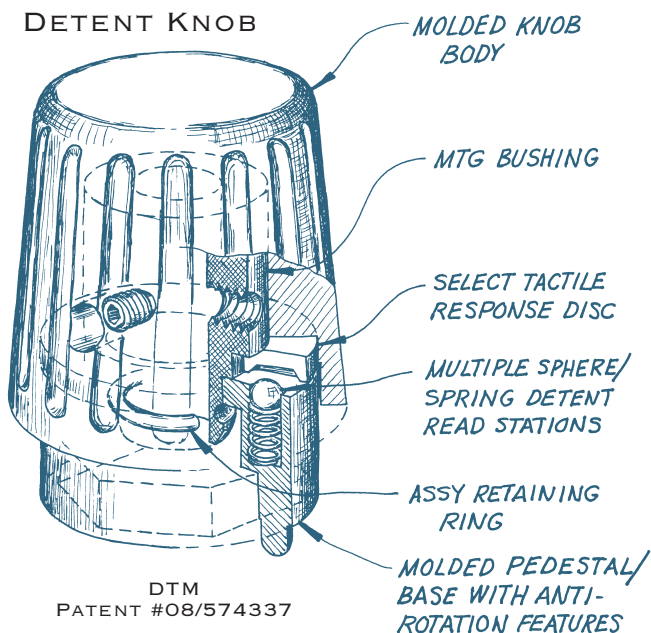


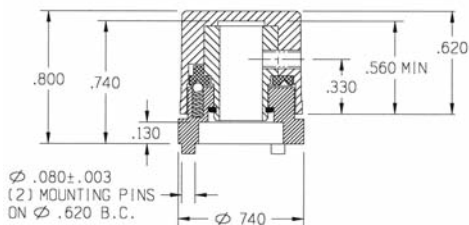
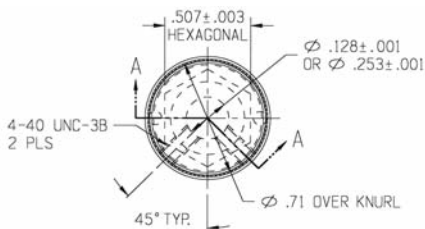
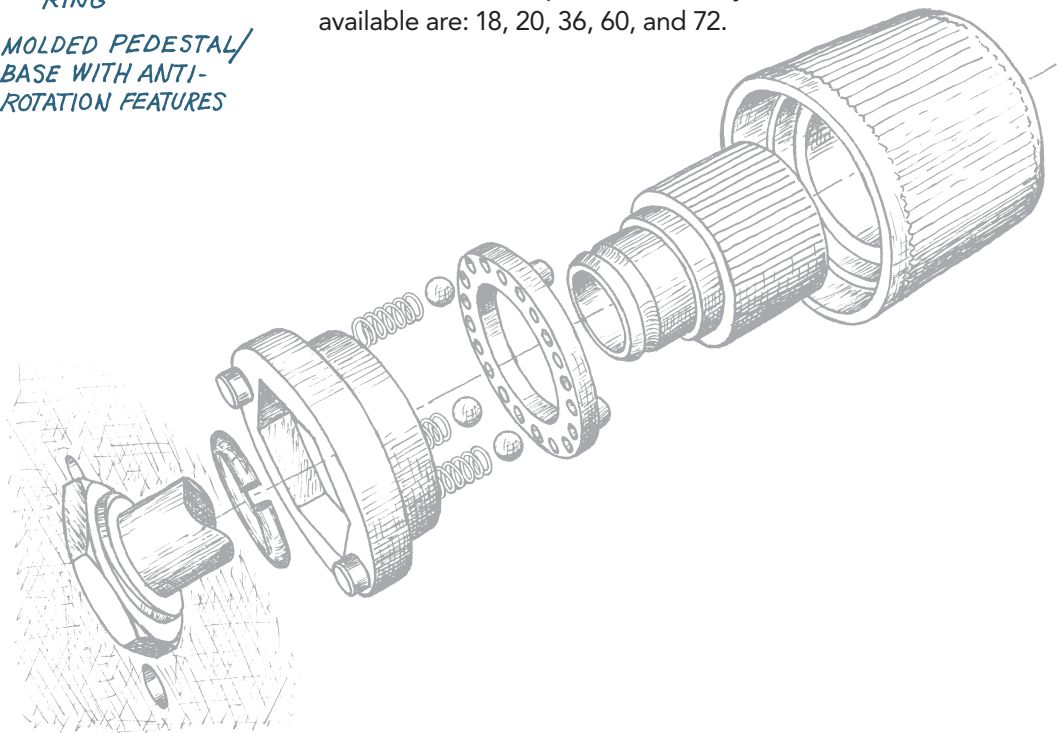
INDEXING KNOB

DETENT KNOB



Indexing: Knob provides moderate security against shock and vibration through multiposition detent mechanisms engaging the indexing feature on the knob base. The system design affords the choice of selection from a number of possible positions, torques and accents.

- Detent mechanism built into knob instead of into the device being controlled
- Variable number of detents and spacing positions
- Torque can be varied
- Available on all standard series knobs, MS, Regent, Contemporary, etc.
- Diameter: .700; Height: .800
- Number of detents per turn currently available are: 18, 20, 36, 60, and 72.



ORDERING GUIDE FOR DETENT KNOB

Series	Top Style	Shaft Hole Diameter	Finish (Black)	Detent Position
DTM70	None- Plain Top	1- 1/8" Round	S- Gloss	18
	C- Line on Top	2- 1/4" Round	B- Matte	20
				36
				60
				72

To order special colors or if you require custom settings contact our factory.

EXAMPLE: DTM702B-20

Series	Top Style	Shaft Hole	Color	Detent Position
DTM70-	Plain Top	.250"	Matte Black	20

