

Fuse Holders

Marathon Special Products provides many NEMA/barrier style fuse holders with different terminal options for the majority of North American fuses and several enclosed (European/IEC) styles.

Class	Page #	Styles	Applications	Amp/ Volt Range	Withstand/ SCCR
H Class	98	Barrier	For protection where frequent outages are common and low levels of available fault current are available.	30-600 A 250-600 V	10,000
	109	Panel-Board			
R Class	99	Barrier	For higher levels of protection at the same size of the H Class, where higher levels of fault current potential exists.	30-600 A 250-600 V	200,000
T Class	100	Barrier, Open	For a high degree of protection and half to a third the size of R Class fuses.	30-600 A 300-600 V	200,000
J Class	101	Barrier, Open	For maximum protection of motors, controllers or panels.	30-600 A 250-600 V	200,000
	102	Enclosed			
G Class	108	Barrier, Open	For use in branch circuits where higher performance and lower power levels are needed.	15-30 A 480-600 V	100,000
CC Class	106	Barrier	For branch and small motor protection where high current limitation is required.	30-60 A 600 V	200,000
	107	Enclosed			
Midget (10x38)	103	Barrier	Supplemental fuses similar to the size of a CC, used in more general applications where current limitation requirements are lower.	30-60 A 600 V	See Data sheets
	105	Sectional			
	104	Enclosed			
General Purpose (Semi-Cond.)	111 - 114	Stud, Stud / Terminal	Recognized fuse holders for semi-conductor, L Class or others with variable geometry and include bolt down mounting profiles.	100-1200 A 1000 V	See Data sheets
Accessories	115 - 116	Covers, DIN-Rail Adapters	H, R, J, CC & M styles.	N/A	N/A

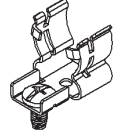
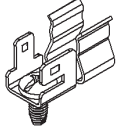
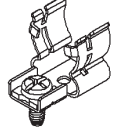
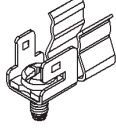
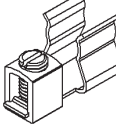
Go to WWW.MARATHONSP.COM for:

- Product specific data sheets (includes detailed drawings & SCCR Ratings)
- Request 2D/3D CAD files
- Check distributor stock
- Request samples



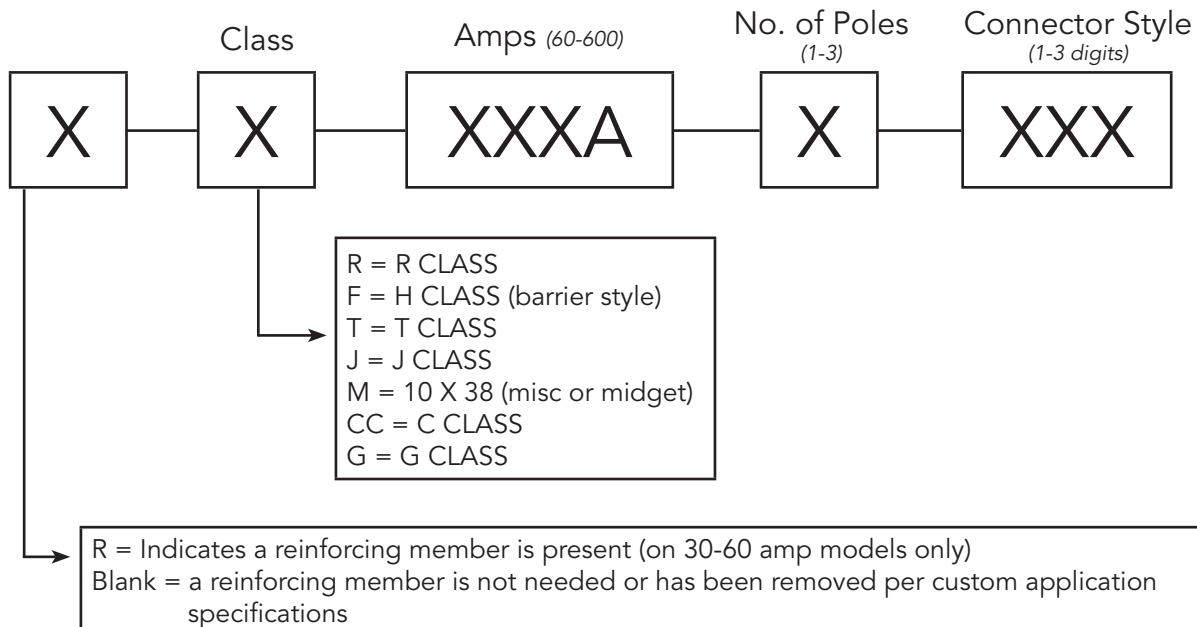
Fuse Holders

Wire Connector Styles

Hardware Options		Description	Illustration
S	Screw	Standard screw fastener primarily for ring/spade/fork terminals or small bare wire.	
SQ	Screw with Quick Connects	Screw terminal with additional 1/4" male quick-connect options.	
SP	SEMS Pressure Connector	Screw with a captive washer to provide more contact area for larger bare wire termination .	
SPQ	SEMS Pressure Connector w/ Quick Connects	SP option with additional 1/4" male quick-connect options.	
B	Box (or Compression) Terminals	Box connectors are ideal for large bare wire (up to 60A) termination.	

CATALOG NUMBER NOMENCLATURE

-Excludes panel boards, enclosed and general purpose / recognized types.



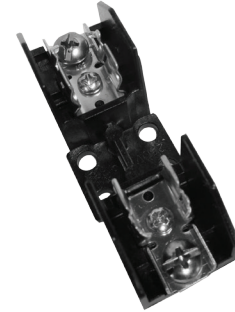
Class H Fuse Holders

Specifications:

- Available in 30, 60, 100, 200, 400 & 600 amps @ 250/600 volts
- Copper box connectors available on 30 and 60 amp (add CU after catalog number)
- 10,000 amp SC withstand rating
- UL listed file no. IZLT.E35113
- CSA certified file no. LR21455
- CE compliant
- RoHS compliant

250 Volts

Amps	Catalog # (replace "X" with # of poles)	Poles (X)	Base Materials	Wire Range
30	RF30AXS ¹	1/2/3	Thermoplastic	#10-#22 AWG CU
	RF30AXSP ¹			#10-#14 AWG CU
	RF30AXB ¹			#6-#14 AWG CU
60	RF60AXSQ ²			#10-#22 AWG CU
	RF60AXB			#2-#14 AWG CU #2-#12 AWG AL
100	RF100AXB		Phenolic	2/0-#14 AWG CU 2/0-#12 AWG AL
200	F200AXBE	1/3	Polyester	250 kcmil #6 AWG CU AL
400	RF400AXB		Phenolic	(2) 350 kcmil 1/0 AWG CU AL
600	F600AXB			(2) 500 kcmil 1/0 AWG CU AL



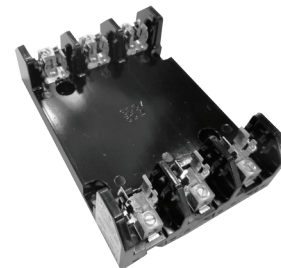
F30A1SP



F200A3BE

600 Volts

Amps	Catalog # (replace "X" with # of poles)	Poles (X)	Base Materials	Wire Range
30	R6F30AxS ¹	1/2/3	Phenolic	#10-#22 AWG CU
	R6F30AxSP ¹			#10-#14 AWG CU
	R6F30AxB ¹			#6-#14 AWG CU
60	R6F60AxB ¹			#2-#14 AWG CU #2-#12 AWG AL
				2/0-#14 AWG CU 2/0-#12 AWG AL
100	R6F100AxB		1/3	Polyester
200	6F200AxBE	Phenolic		(2) 350 kcmil 1/0 AWG CU AL
400	R6F400AxB			(2) 500 kcmil 1/0 AWG CU AL
600	6F600AxB			



R6F30A3B

¹ For non-reinforced version, remove "R" in catalog number

² UL recognized File No. IZLT2.E35113

See page 115 for available covers
See page 116 for DIN Rail Adapter
Contact Customer Service for Stud Options

Class R Fuse Holders

Specifications:

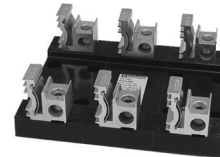
- Available in 30, 60, 100, 200, 400 & 600 amps @ 250/600 volts
- Copper box connectors available on 30 and 60 amp (add CU after catalog number)
- 200,000 amp SC withstand rating
- UL listed file no. IZLT.E35113
- CSA certified file no. LR21455
- CE compliant
- RoHS compliant

250 Volts

Amps	Catalog # (replace "X" with # of poles)	Poles (X)	Base Materials	Wire Range
30	R30AxS	1/2/3	Thermoplastic	#10-#22 AWG CU
	R30AxSP			#10-#14 AWG CU
	R30AxB			#6-#14 AWG CU
60	R60AxSQ *			#10-#22 AWG CU
	R60AxB			#2-#14 AWG CU #2-#12 AWG AL
100	R100AxB		Phenolic	2/0-#14 AWG CU 2/0-#12 AWG AL
200	R200AxBE	1/3	Polyester	250 kcmil #6 AWG CU AL
400	R400AxB		Phenolic	(2) 350 kcmil - 1/0 AWG CU AL
600	R600AxB			(2) 500 kcmil - 1/0 AWG CU AL



6R30A3SP



R200A3BE

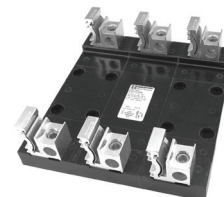
*CSA Certified Only

600 Volts

Amps	Catalog # (replace "X" with # of poles)	Poles (X)	Base Materials	Wire Range
30	6R30AxS	1/2/3	Phenolic	#10-#22 AWG CU
	6R30AxSP			#10-#14 AWG CU
	6R30AxB			#6-#14 AWG CU
60	6R60AxB			#2-#14 AWG CU #2-#12 AWG AL
				2/0-#14 AWG CU 2/0-#12 AWG AL
100	6R100AxB		1/3	Polyester
200	6R200AxBE	Phenolic		(2) 350 kcmil 1/0 AWG CU AL
400	6R400AxB			(2) 500 kcmil 1/0 AWG CU AL
600	6R600AxB			



6R30A3B



6R200A3BE

See page 115 for available covers
See page 116 for DIN Rail Adapter
Contact Customer Service for Stud Options

Class T Fuse Holders

Specifications:

- Available in 30, 60, 100, 200, 400 & 600 amps @ 300/600 volts
- Copper box connectors available on 30 and 60 amp (add CU after catalog number)
- 200,000 amp SC withstand rating
- UL listed file no. IZLT.E35113
- CSA certified file no. LR21455
- CE compliant
- RoHS compliant

300 Volts

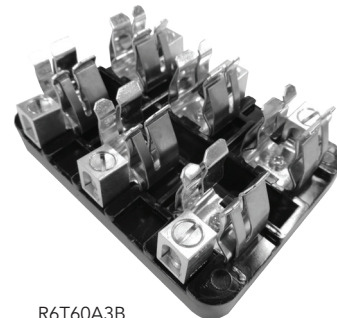
Amps	Catalog # (replace "X" with # of poles)	Poles (X)	Base Materials	Wire Range
30	RT30AxB	2/3	Phenolic	#2-#14 AWG CU #2-#12 AWG AL
60	RT60AxB			
100	T100AxB	1/3		2/0-#14 AWG CU 2/0-#12 AWG AL
200	T200AxB			250 kcmil #6 AWG CU AL
400	T400AxB			(2) 250 kcmil #6 AWG CU AL
600	T600AxB	1		(2) 500 kcmil #6 AWG CU AL



RT60A3B

600 Volts

Amps	Catalog # (replace "X" with # of poles)	Poles (X)	Base Materials	Wire Range
30	R6T30AxS	2/3	Phenolic	#10-#22 AWG CU
	R6T30AxSP			#10-#14 AWG CU
	R6T30AxB			#2-#14 AWG CU #2-#12 AWG AL
60	R6T60AxB			
100	6T100AxB	1/3		2/0-#14 AWG CU 2/0-#12 AWG AL
200	6T200AxB			250 kcmil #6 AWG CU AL
400	6T400AxB	1	(2) 250 kcmil #6 AWG CU AL	
600	6T600AxB		(2) 500 kcmil #6 AWG CU AL	



R6T60A3B

Class J Fuse Holders

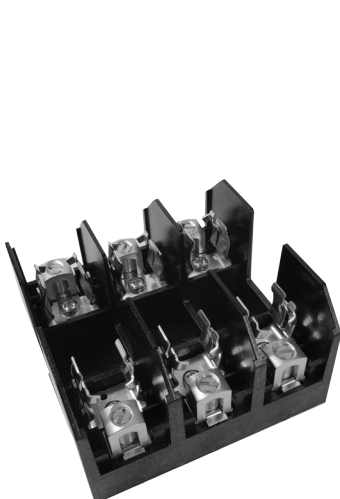
Specifications:

- Available in 30, 60, 100, 200, 400 & 600 amps @ 600 volts
- Copper box connectors available on 30 and 60 amp (add CU after catalog number)
- 200,000 amp SC withstand rating
- UL listed file no. IZLT.E35113 (6J200, 6J400 and 6J600 fuse holders, cUL file no. 1ZLT8.E35113)
- CSA certified file no. LR21455
- CE compliant
- RoHS compliant

Amps	Catalog # (replace "X" with # of poles)	Poles (X) (E=expander)	Base Materials	Wire Range
30	R6J30AxS ¹	1/2/3/E	Thermoplastic	#10-#22 AWG CU
	R6J30AxSP ¹			#10-#14 AWG CU
	R6J30AxB ¹			#2-#14 AWG CU #2-#12 AWG AL
60	R6J60AxB ¹	1/2/3	Phenolic	2/0-#14 AWG CU 2/0-#12 AWG AL
100	R6J100AxB	1 3		250 kcmil #6 AWG CU AL
200	6J200AxBFBD	1/3	Phenolic	(1) 600-#2 kcmil (1) 350-#6 AWG CU AL
400	6J400AxBFBD			(2) 500 kcmil #6 AWG CU AL
600	6J600AxBFBD			

¹ For non-reinforced version, remove "R" in catalog number

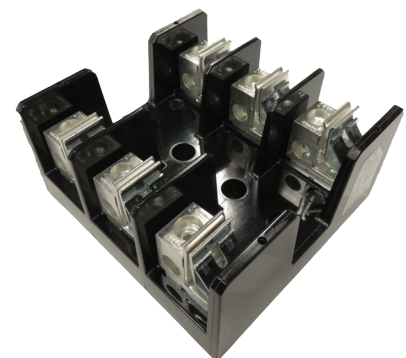
See page 115 for available covers
See page 116 for DIN Rail Adapter
Contact Customer Service for Stud Options
Fuse mounting hardware supplied with fuse holder



R6J30A3B



R6J60A3B



R6J100A3B

Class J Enclosed Fuse Holders

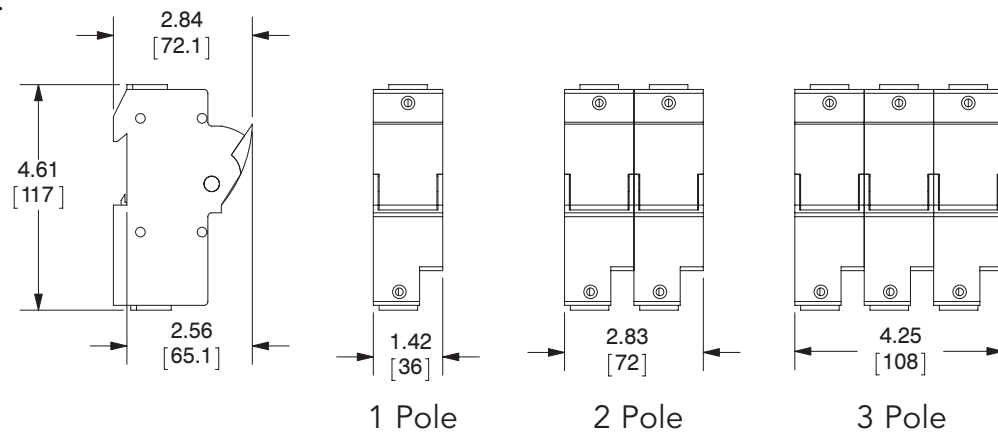
Specifications:

- Available in 30 & 60 amps @ 600 volts
- 200,000 amp SC withstand rating
- Touchsafe IEC type design (IP20)
- Blown fuse indicating type available (6SJ30AXI and 6SJ60AXI)
- Red dual LED indicator - range of operating voltage 110-600V AC/DC, use either polarity for DC application
- UL listed file no. IZLT.E35113
- CSA certified file no. LR21455
- CE compliant
- RoHS compliant

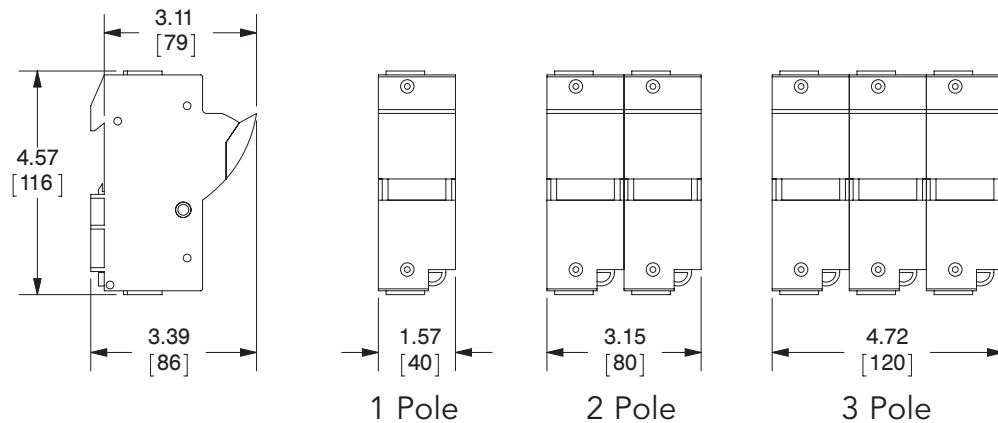
600 Volts

Amps	Catalog # (replace "X" with # of poles)	Poles (X)	Base Materials	Wire Range
30	6SJ30Ax	1/2/3	Thermoplastic	#1-#18 AWG
	6SJ30Axl			(2) #10-#12 AWG
60	6SJ60Ax	1/2/3	Thermoplastic	#1-#14 AWG
	6SJ60Axl			(2) #6-#14 AWG

30 AMPS:



60 AMPS:



Midget Barrier Fuse Holders

Specifications:

- Available in 30 amp @ 600 volts
- Evaluated for use with Midget 10x38mm Fuses
- 100,000 amp SC withstand rating
- Copper box connectors available (add CU after catalog number)
- Clip, copper alloy, tin plated
- Quick connect standard with screw (S) or SEMS pressure (SP)
- UL recognized file no. IZLT2.E35113
- CSA certified file no. LR21455
- CE compliant
- RoHS compliant



6M30A3SPQ

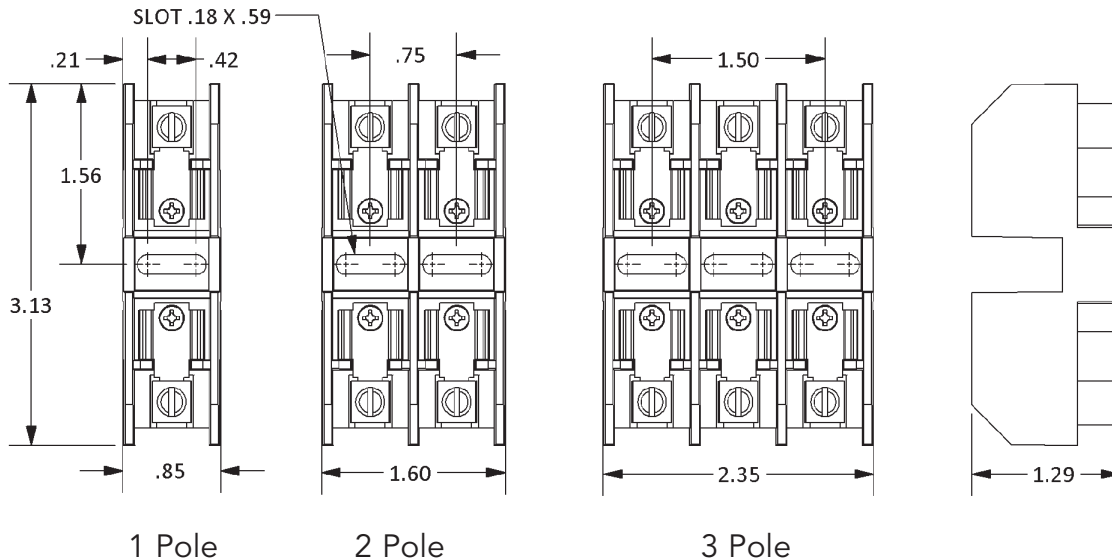
600 Volts

Amps	Catalog # (replace "X" with # of poles)	Poles (X)	Base Materials	Wire Range
30	6M30AxSQ	1/2/3	Thermoplastic	#10-#12 AWG CU
	6M30AxSPQ			#10-#14 AWG CU
	6M30AxB			#6-#14 AWG CU
	6M30AxBCU			



6M30A2SPQ

See pages 115 for available covers
See page 116 for DIN Rail Adapter



Midget Enclosed Fuse Holders

Specifications:

- 30 amps @ 600/1000 volts
- Evaluated for use with Midget 10x38mm Fuses
- 200,000 RMS symmetrical amps SC withstand rating
- DIN rail mount (35mm)
- Touchsafe design IEC type IP20
- Handle allows quick easy fuse change
- Blown fuse indication available
- Indication light AC and DC 65 VAC, 90 VDC volts minimum
- Base Materials: thermoplastic
- UL recognized for US and Canada, IZLT2.E35113, IZLT8.E35113
- CE compliant
- RoHS compliant



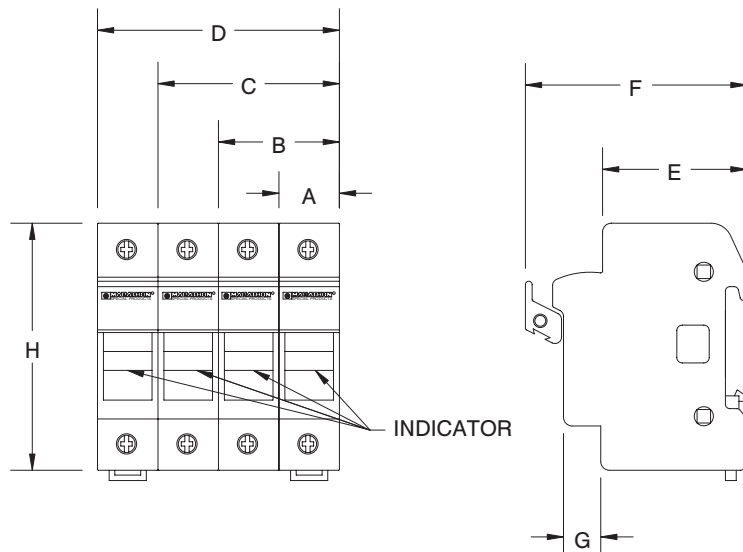
Shown top to bottom: 6SM30A3I-C, 6SM30A1-C, 6SM30A1-C shown with fuse (fuse not included)

600/1000 Volts

Amps	Voltage (AC/DC)	Catalog # (replace "X" with # of poles)	Indicating	Poles (X)	Wire Range
30	1000	6SM30Ax-C	NO	1/2/3/4	(1) #6-#18 CU STRANDED
	600	6SM30AxI-C	YES		(1) #10-#18 SOLID (2) #10-#18 STRANDED

EFK-MCKK - Pin kit (used for ganging multiple poles) - includes 10 handle pins and 20 body clips, use one handle pin and two body clips per pole

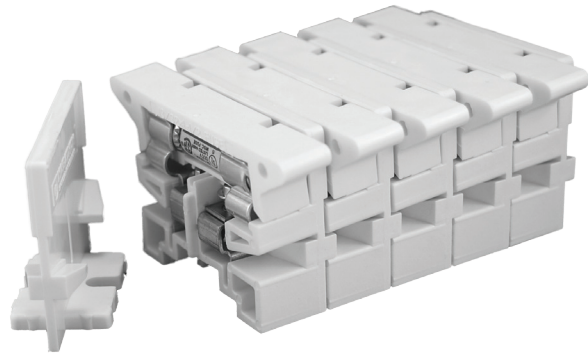
DIM	mm	Inches
A	17.8	0.70
B	35.6	1.40
C	53.3	2.10
D	71.1	2.80
E	43.2	1.70
F	59.7	2.35
G	12.2	0.48
H	79.2	3.12



Midget Sectional Fuse Holders

Specifications:

- 30 amps @ 600 volts
- Evaluated for use with Midget 10x38mm fuses
- 10,000 amp SC withstand rating
- Base, white nylon - type 6/6, 105°C
- Connector box type
- Accepts up to #10 AWG wire, either terminated or non-terminated
- Clip, copper alloy, tin plated
- UL recognized file no. IZLT2.E35113
- CSA certified file no. LR21455
- CE compliant
- RoHS compliant



6W30A1F with end piece (fuse not included)

600 Volts

Amps	Catalog # (replace "X" with # of poles)	Description	Standard Pack	Wire Range
30	6W30A1F	Flat Mount	10	#10-#14 AWG CU STRANDED
	6W30A1C	Channel Mount		
	6WEF	End Piece (Flat)		
	6WEC	End Piece (Channel)		
	MC	Mounting Clamp	25	
	MPC-6	6 Foot Channel	-	
	MPS-3	3 Foot Channel		
	GR-2	1/8" Diameter x 2' Long Nylon Rod		

Flat Mount:

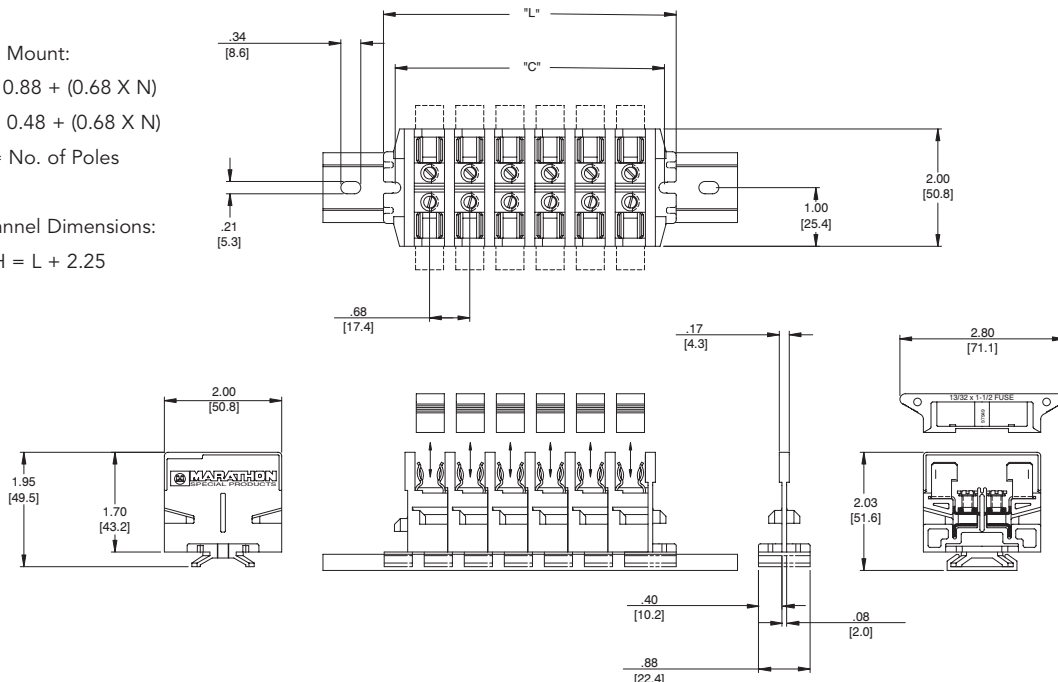
$$L = 0.88 + (0.68 \times N)$$

$$C = 0.48 + (0.68 \times N)$$

N = No. of Poles

Channel Dimensions:

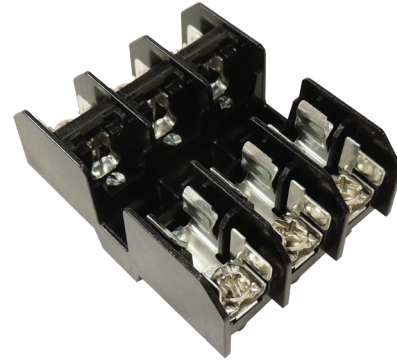
$$LCH = L + 2.25$$



Class CC Fuse Holders

Specifications:

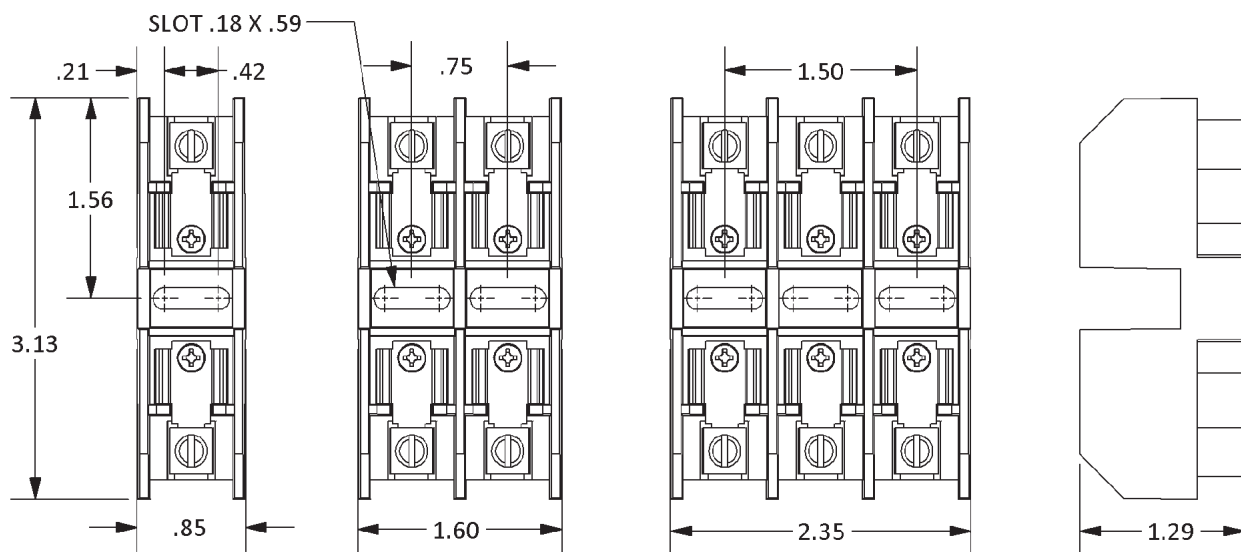
- Available in 30 and 60 amp @ 600 volts
- 200,000 amp SC withstand rating
- Copper box connectors available (add CU after catalog number)
- Clip, copper alloy, tin plated with patented reject member
- Integral DIN rail mount
- Expander block available
- Quick connect standard with screw (S) or SEMS pressure (SP)
- For box connectors, internal hex screw option is available
- 30 Amp - UL listed file no. IZLT.E35113
- 60 Amp - UL listed file no. IZLT2.E35113, Class CD
- 30 Amp - CSA certified file no. LR21455
- 60 Amp - CSA certified file no. LR21455-91
- CE compliant
- RoHS compliant



6CC30A3SPQ

600 Volts

Amps	Catalog # (replace "X" with # of poles)	Poles (X) (E=expander)	Base Materials	Wire Range
30	6CC30AxSQ	1/2/3	Thermoplastic	#10-#22 AWG CU
	6CC30AxSPQ			#10-#14 AWG CU
	6CC30AxB			#6-#14 AWG CU
	6CC30AxBCU			
60	R6CC60AxB	1/2/3/E		#2-#14 AWG CU #2-#12 AWG AL



Class CC Enclosed Fuse Holders

Specifications:

- 30 amps, 600 volts AC/DC
- 200,000 amp SC withstand rating
- DIN rail mount (35mm)
- Touchsafe design IEC type IP20
- Handle allows quick easy fuse change
- Blown fuse indication available
- Indication light AC and DC 65 VAC, 90 VDC volts minimum
- Base materials: thermoplastic
- UL listed for US file no. IZLT.E35113, UL certified for Canada file no. IZLT7.E35113
- CE compliant
- RoHS compliant



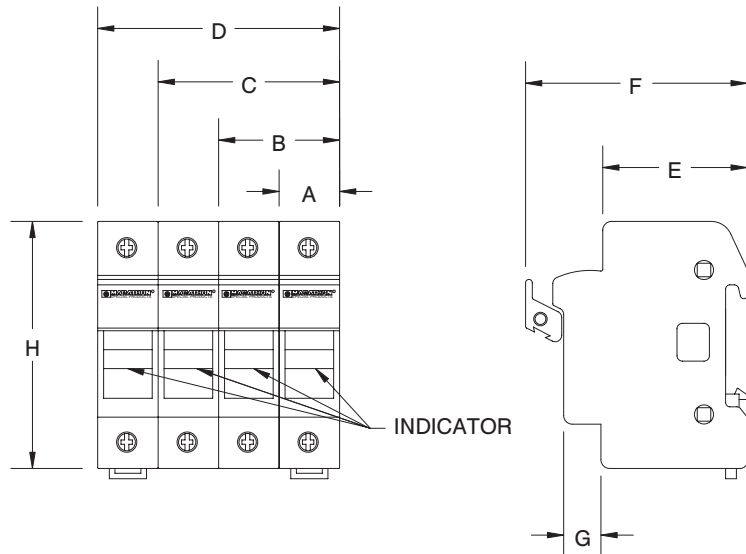
Shown left to right: 6SM30A3I-C, 6SM30A1-C, 6SM30A1-C shown with fuse (fuse not included)

600 Volts

Amps	Catalog # (Replace "X" with # of poles)	Indicating	Poles	Wire Range
30	6SC30Ax-C	No	1/2/3/4	1) #6-#18 CU Stranded
	6SC30AxI-C	Yes		1) #10-#18 Solid 2) #10-#18 Stranded

EFK-MCKK - Pin kit (used for ganging multiple poles) - includes 10 handle pins and 20 body clips, use one handle pin and two body clips per pole

DIM	mm	Inches
A	17.8	0.70
B	35.6	1.40
C	53.3	2.10
D	71.1	2.80
E	43.2	1.70
F	59.7	2.35
G	12.2	0.48
H	79.2	3.12



Class G Fuse Holders

Specifications:

- 100,000 amp SC withstand rating
- Clip, copper alloy, tin plated
- Quick connect standard with screw (S) or SEMS pressure (SP)
- Copper box connectors are available on 30 and 60 amp fuse holders (add CU after catalog #)
- For box connectors, internal hex screw option available
- UL listed file no. IZLT.E35113
- CSA certified file no. LR21455
- RoHS compliant



G15A3SPQ



G20A3SQ

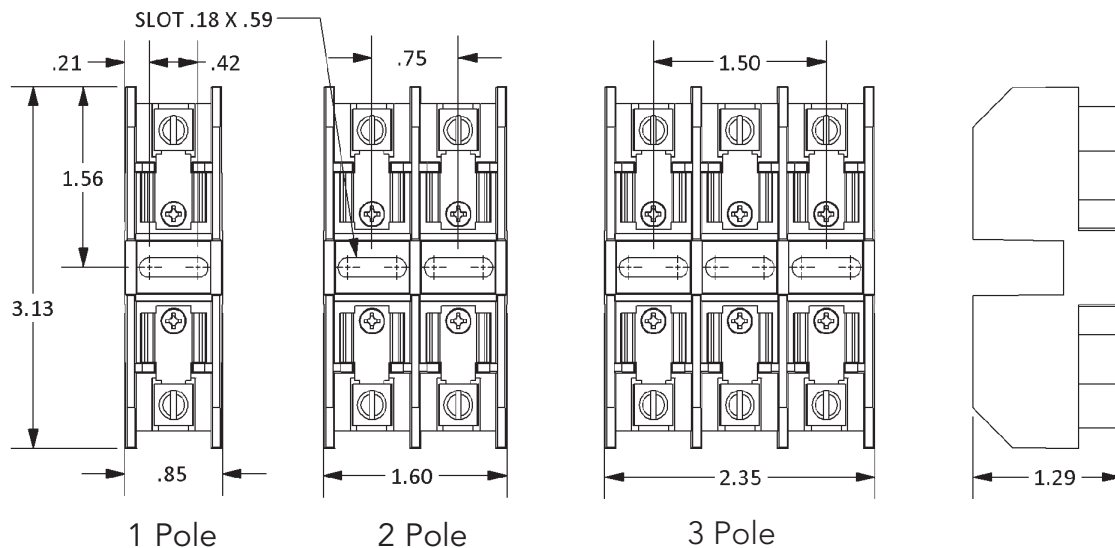


G30AXB

Amps	Catalog # (Replace "X" with # of poles)	Poles (X)	Base Materials	Wire Range	
15 (600 VOLT)	RG15AxSQ	1/2/3	Thermoplastic	#10-#22 AWG CU	
	RG15AxSPQ			#10-#14 AWG CU	
	RG15AxB			#6-#14 AWG CU	
	RG15AxBCU				
20 (600 VOLT)	RG20AxSQ				#10-#22 AWG CU
	RG20AxSPQ				#10-#14 AWG CU
	RG20AxB				#6-#14 AWG CU
30 (480 VOLT)	RG30AxSQ				#10-#22 AWG CU
	RG30AxSPQ				#10-#14 AWG CU
	RG30AxB				
	RG30AxBCU				#6-#14 AWG CU

See pages 33-34 for available covers

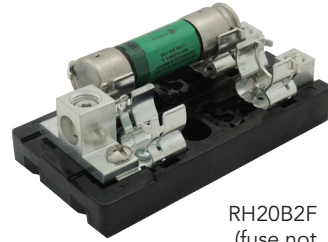
See page 35 for DIN Rail Adapter



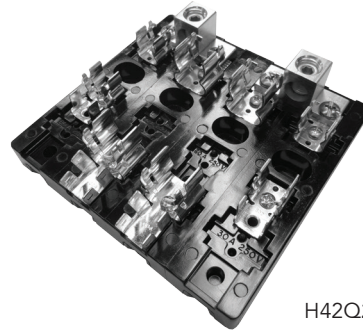
Class H Fuse Panels

Specifications:

- 30 and 60 amp - 250 volt base
- General purpose phenolic, 150°C (UL RTI)
- Clip, copper alloy, tin plated
- Reinforcing member available
- Bus bars are available with 2/0 - #14 AWG or 250 kcmil - #6 wire ranges
- Consult customer service for special requirements
- UL recognized file no. IZLT2.E35113
- CSA certified file no. LR21455
- CE compliant
- RoHS compliant

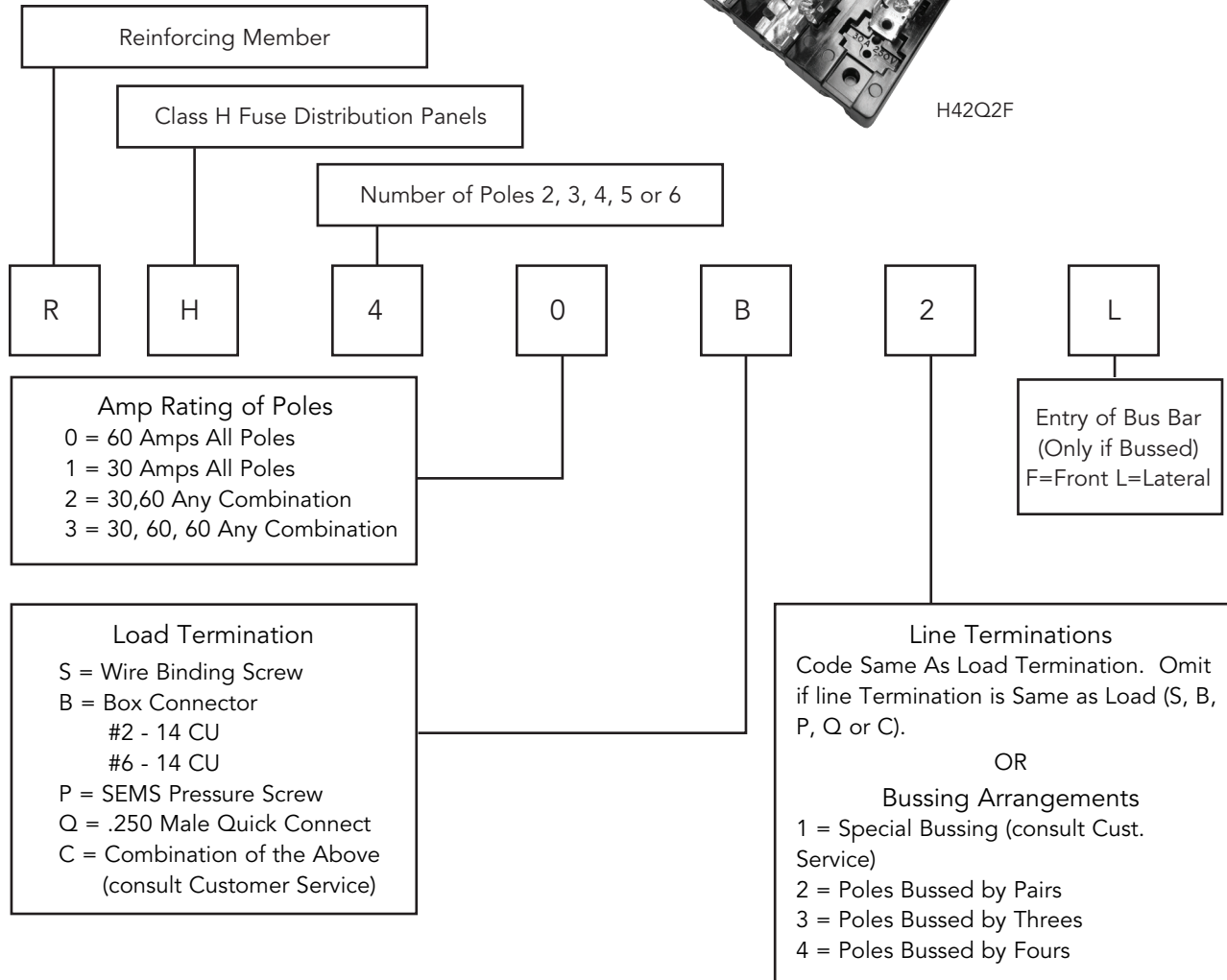


RH20B2F
(fuse not included)

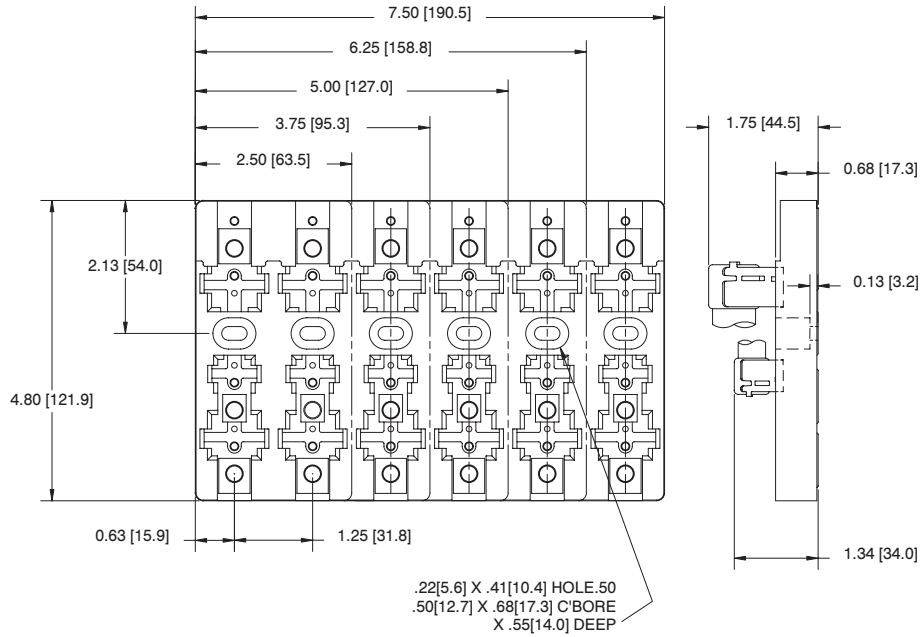


H42Q2F

Ordering Code:



Class H Fuse Panels (cont.)



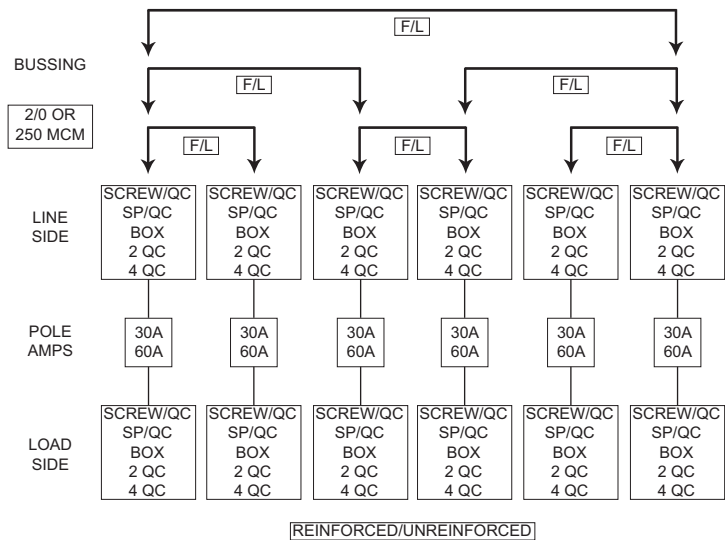
Poles	Dimensions (in) L	(mm)
2	2.50	63.5
3	3.75	95.25
4	5.00	127.0
5	6.25	158.8
6	7.50	190.5

Fuse Distribution Panel Options

Circle/indicate one item per pole and number of poles. The items to be indicated are within the rectangles.

Bussing is only available on line side. If bussing, indicate lug size 2/0 or 250 kcmil (F = Front entry, L = Lateral entry)

Consult Customer Service for other modifications.



Semi Conductor Fuse Holders

Box Version - Specifications:

- 200,000 amp SC withstand rating
- Insulator base, general purpose phenolic, 150°C (UL RTI)
- Hex-head bolts and belleville washers provided unassembled
- Connector - aluminum, tin plated
- Dove-tail interlocking feature on 1MS101
- Two-piece modular design
- UL recognized - UR file no. IZLT2.E35113, cUR file no. IZLT8.E35113
- CE compliant
- RoHS compliant

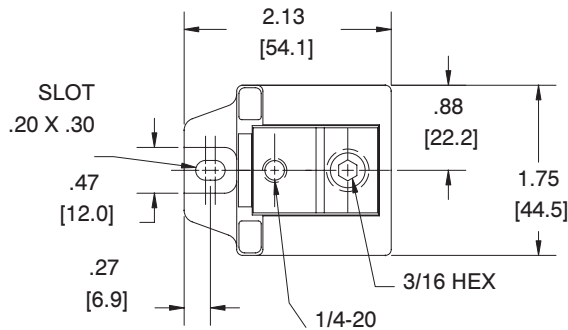


1MS101

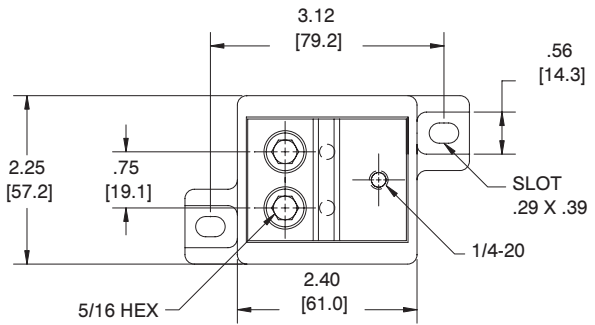
600 Volts

Max Amps	Catalog #	Wire Range	Tested At:	
			I ² t	I _p
100	1MS101	2/0 - #14	193kA	27.4kA
400	1MS102	(2) 250 kcmil - #6	3480 kA	69.5 kA
	1MS103	(2) 250 kcmil - #6	3480 kA	69.5 kA
600	1MS104	(2) 500 kcmil - #6	2840kA	50.8 kA

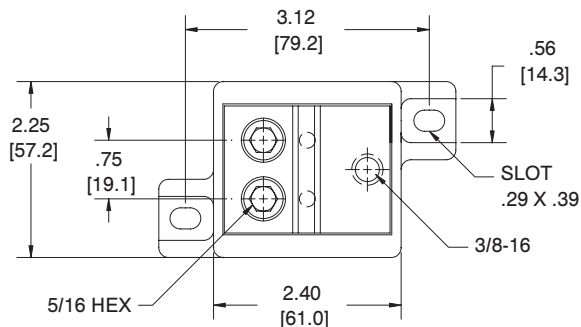
NOTE: Order two blocks per fuse



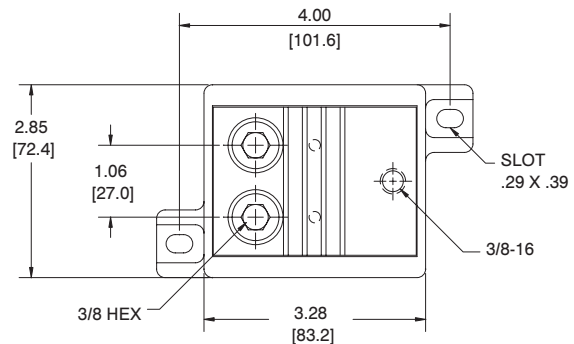
1MS101



1MS102



1MS103

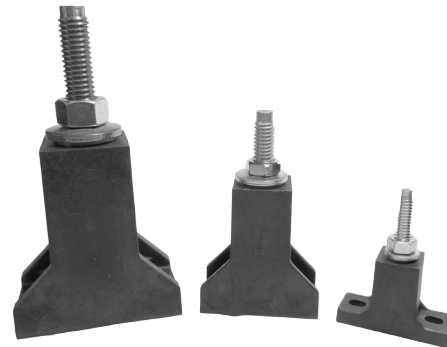


1MS104

General Purpose/Semi Conductor

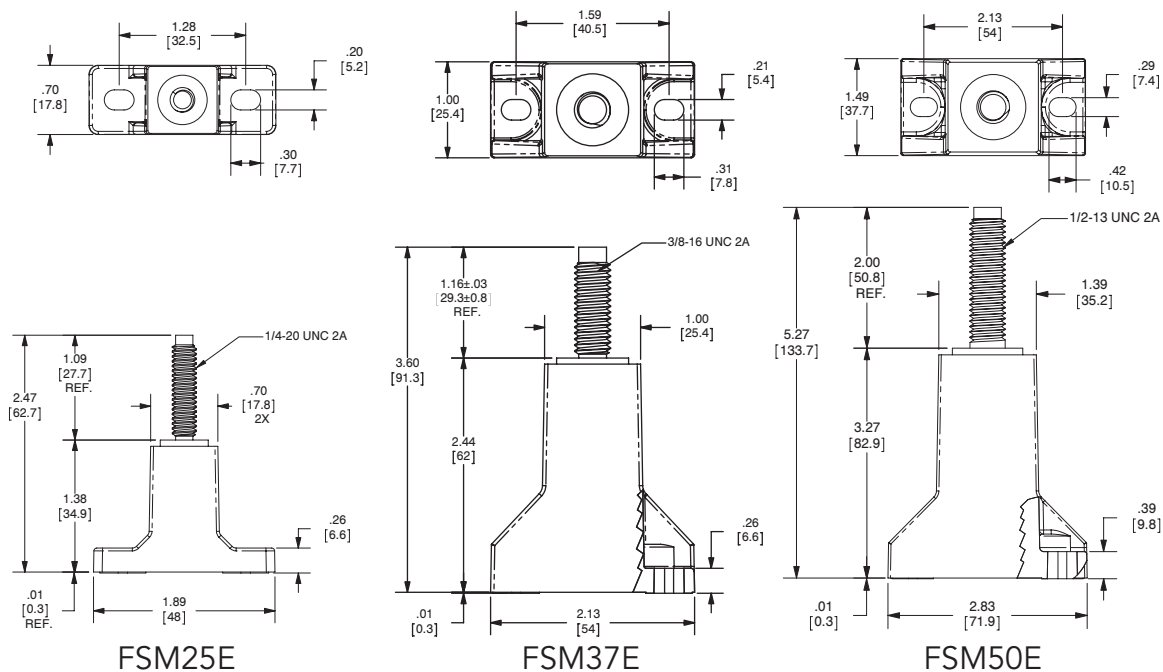
Stud Version - Specifications:

- 1000 volt
- Insulator base, high strength thermoplastic
- Stud, nuts and belleville washers: plated steel
- Maximum insulator base temperature rating 125°C (257°F) UL RTI (impact)
- Hardware provided unassembled
- Flammability rating of insulator UL 94 V-0
- Ideal for applications such as lithium-ion battery packs, inverters, industrial panels and other energy storage devices
- UL recognized - UR file no. IZLT2.E35113, cUR file no. IZLT8.E35113
- RoHS compliant



Shown left to right: FSM50E, FSM37E, FSM25E

	Catalog #		
	FSM25E	FSM37E	FSM50E
Stud Sizes	1/4"-20 Stud	3/8"-16 Stud	1/2"-13 Stud
	Metric sizes (M6, M10, M12) available upon request - contact Customer Service for more information		
Electrical Ratings	400A, Up to 1000V AC/DC	800A, Up to 1000V AC/DC	1200A, Up to 1000V AC/DC
Application Torque	75 in-lbs	230 in-lbs	300 in-lbs
SC Withstand Rating	Approved for 200,000A, Tested at 111 kA ² s (I ² t) and 20.0 kA (I _p)	Approved for 200,000A, Tested at 274 kA ² s (I ² t) and 26.2 kA (I _p)	Approved for 200,000A, Tested at 465 kA ² s (I ² t) and 30.8 kA (I _p)
Mounting	Mount with #10 fastener, torque to 25-30 in. lbs.	Mount with #10 fastener, torque to 25-30 in. lbs.	Mount with 1/4" fastener, torque to 25-30 in. lbs.



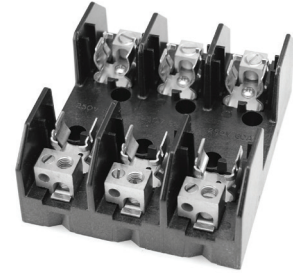
Fuse Holders w/ Box Distribution Connectors

Specifications:

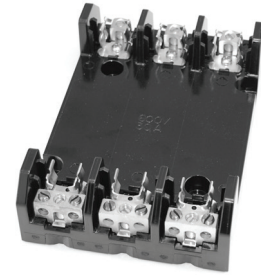
- Available in 30 and 60 amp
- Available in 250 and 600 volt
- Available on Class H, R and J fuse holders
- Connectors, high conductive aluminum, tin plated
- Reinforcing member available, standard on Class R
- UL recognized file no. IZLT2.E35113
- CSA certified file no. LR21455
- RoHS compliant

Class H and R Fuse Holders

Amps	Volts	Catalog # (Replace "X" with # of poles)	Line Wire Range	Load Wire Range
60	250	F60AxBD	(1) #2-#10 AWG	(1) #2-#10 AWG (1) #6-#14 AWG
		R60AxBD		
		F60AxBD-D		
		R60AxBD-D		
30	600	6F30AxBD-D	(1) #6-#14 AWG	(1) #6-#14 AWG (2) #10-#18 AWG
		6R30AxBD-D		
60	600	6F60AxBD	(1) #2-#10 AWG	(1) #2-#10 AWG (1) #6-#14 AWG
		6R60AxBD		
		6F60AxBD-D		(1) #2-#10 AWG (2) #6-#14 AWG
		6R60AxBD-D		



F60A3BD

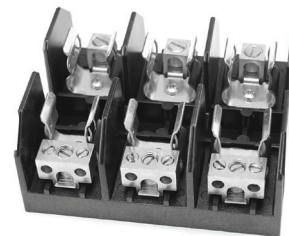


6F30A3BDD

Class R - No Agency Approval

Class J Fuse Holders

Amps	Volts	Catalog # (Replace "X" with # of poles)	Line Wire Range	Load Wire Range
60	600	6J60AxBD	(1) #2-#10 AWG	(1) #2-#10 AWG (1) #6-#14 AWG
		6J60AxBD-D		(1) #2-#10 AWG (2) #6-#14 AWG



6J60A3BDD

Class J - No Agency Approval

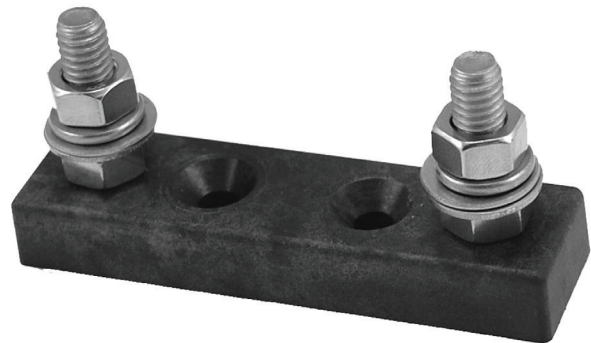
STSF Forklift/Semi Conductor Fuse Holder

Stud Version - Specifications:

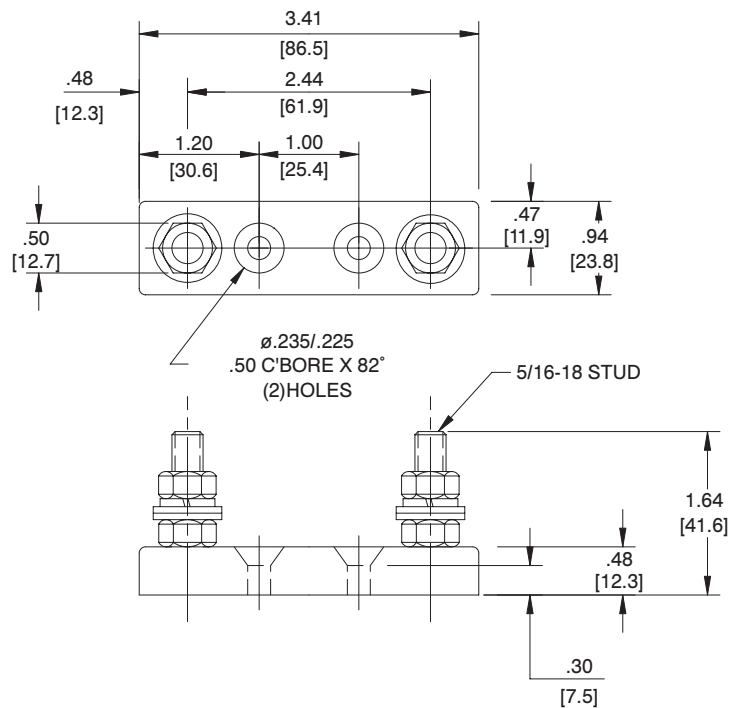
- Base, high strength thermoplastic
- Temperature rating of 170°C
- Studs, stainless steel (nuts and washers provided)
- 130 volt AC/DC, 1 to 400 Amps
- UL recognized file no. IZLT2.E35113
- RoHS compliant

Applications:

This holder is used in direct current (DC) applications: forklifts, golf carts, electric vehicles, custom high-end car stereo systems, heavy equipment, marine aircraft, and similar applications.



ST SF

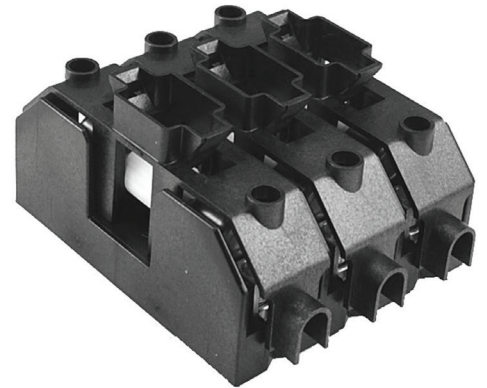


A #10 flat or conventional pan head screw head is acceptable.

Fuse Holder Covers

Specifications:

- Material, thermoplastic
- Thermal rating, 125°C (RTI, per UL 746)
- Flammability, VO (per UL 94)
- UL listed accessories under file no. JDVS2.E181825
- In application, protection is consistent with IEC standard 529, designation IP20 (Finger Safe)* - except CJ6100-1, CJ6100-2, and CJ6100-3
- Opening allows view of self-indicating fuses
- Holes for test probes and re-tightening of wire terminations
- Covers fit most fuse holder brands
- RoHS compliant

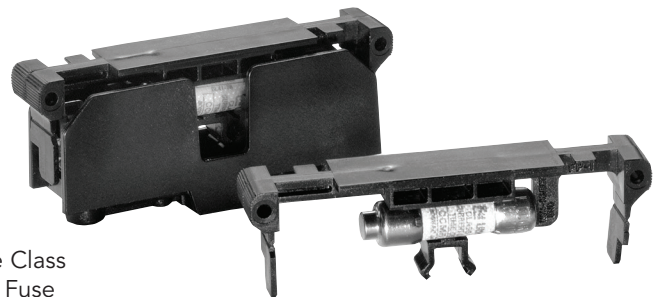


Fuse Holder shown with Covers Attached

Fuse Type	Amps	Voltage	Catalog #	For use with Fuse Holder #
H/R	30	250	CHR230	F30A/R30A
	60		CHR260	F60A/R60A
	100		CHR2100	RF100A/R100A
	30	600	CHR630	6F30A/6R30A
	60		CHR660	6F60A/6R60A
	100		CHR6100	R6F100A/6R100A
J	30	600	CJ630	6J30A
	60		CJ660	6J60A
	100		CJ6100-1C	R6J100A
			CJ6100-2C	
CJ6100-3C				
CC, G	30	600	CC630	6CC30A, Class J
CD	60		CC660	R6CC60A
MISC	30		CCM630**	6M30A/6CCM30A

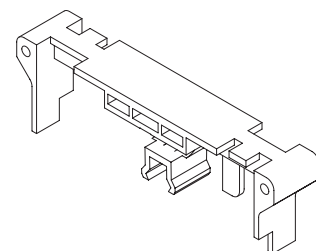
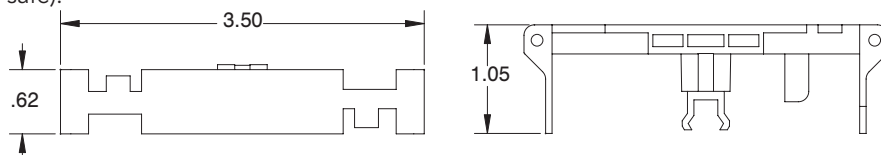
*Applications involving fuse holders other than Marathon may not provide IP20 finger protection

**Covers are recognized if used with recognized fuses



Cover/Puller (Catalog # CVR-MCC)

Marathon's Cover/Puller was designed for use with the Class CC (30 Amp), Midget and Class G (15 & 20 Amp only) Fuse Holders. Once installed, the Cover/Puller provides an easy and safe way to remove fuses. In application, protection is consistent with IEC Standard 529, designation IP20 (finger safe).



DIN Rail Adapters

Catalog #	Std Pack Qty
DIN R 1	10

DIN R 1:

- Accessory to secure surface mount devices on DIN rail
- Made of acetal resin material
- High mechanical strength and rigidity
- Good resilience and resistance to creep
- Excellent dimensional stability
- Excellent low temperature toughness
- Wide end-use temperature range
- Will work with 2 and 3 pole Class H (250 volt, 30 amp) and Class R fuse holders (250 volt, 30 amp), and 985, 1100, 1200, 1500, and 1600 series heavy duty terminal blocks
- RoHS compliant

Assembly Method:

- Press adapter onto rail, fasten component with #8 self tapping screw (screw not supplied)
- Assembly locks firmly unto DIN rail



USE A #8 SELF TAPPING SCREW FOR MOUNTING COMPONENT



Catalog #	Std Pack Qty
DIN R 2	10

DIN R 2:

- For use with Class CC (30 amp), midget, and Class G fuse holders.
- RoHS compliant

Assembly Method:

- DIN R 2 snaps securely to the Marathon fuse holders and to DIN rails without tools, which permits the fuse holders to be mounted directly to standard and low profile 35mm symmetrical and 32mm asymmetrical DIN rails.
- May be removed by lifting the disconnect tab

