




Features

- Size: 6.2 mm diameter, 4.2 mm length
- Surface mount device
- High voltage range
- Compact size
- High insulation resistance
- RoHS compliant*
-  UL Recognized

Applications

- Telecommunications equipment
- Industrial equipment/electronics
- Consumer electronics

2093 Series High Voltage 2-Electrode Gas Discharge Tube

Characteristics

Test Methods per ITU-T K.12 and IEC 61643-311.

| Characteristic | Model No. | | | | |
|-----------------------------------|-----------|----------|----------|----------|----------|
| | 2093-100 | 2093-120 | 2093-180 | 2093-200 | 2093-250 |
| DC Sparkover $\pm 20\%$ @ 100 V/s | 1000 V | 1200 V | 1800 V | 2000 V | 2500 V |
| Impulse Sparkover | | | | | |
| 100V/ μ s | < 1500 V | < 1700 V | < 2500 V | < 2700 V | < 3100 V |
| 1000V/ μ s | < 1600 V | < 1800 V | < 2600 V | < 2800 V | < 3200 V |

| Characteristic | Model No. | |
|-----------------------------------|-----------|----------|
| | 2093-270 | 2093-300 |
| DC Sparkover $\pm 20\%$ @ 100 V/s | 2700 V | 3000 V |
| Impulse Sparkover | | |
| 100V/ μ s | < 3300 V | < 3600 V |
| 1000V/ μ s | < 3400 V | < 3700 V |

| | | |
|---|--------------------------------|------------------|
| Insulation Resistance (IR) ¹ | 500/1000 Vdc..... | > 1 G Ω |
| Glow Voltage | 10 mA..... | ~ 60 V |
| Arc Voltage | 1 A..... | ~ 15 V |
| Glow-Arc Transition Current | | < 1 A |
| Capacitance..... | 1 MHz | < 0.8 pF |
| Impulse Discharge Current..... | 5000 A, 8/20 μ s..... | 1 operation |
| | 3000 A, 8/20 μ s..... | 10 operations |
| Alternating Discharge Current | 3 Arms, 50 Hz, 1 sec..... | 1 operation |
| | 10 Arms, 50 Hz, 9 cycles | 1 operation |
| Impulse Life | 100 A, 10/1000 μ s..... | > 300 operations |
| Operating Temperature..... | | -30 to +85 °C |
| Storage Temperature..... | | -40 to +115 °C |
| Climatic Category (IEC 60068-1)..... | | 40 / 90 / 21 |

Notes:

- ¹ Insulation Resistance measured at 1000 V for GDTs with > 2000 V DCBD.
- UL Recognized component, UL File E313168.
- At delivery AQL 0.65 Level II, DIN ISO 2859.

*RoHS Directive 2002/95/EC Jan. 27, 2003 including annex and RoHS Recast 2011/65/EU June 8, 2011.

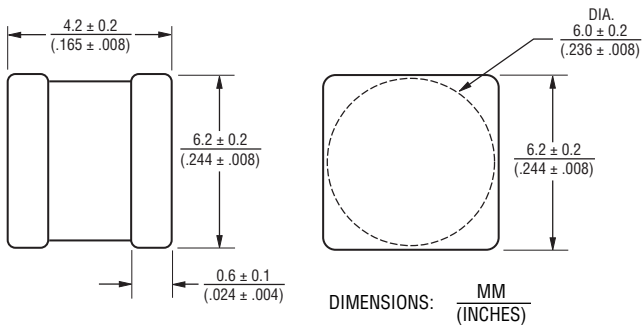
Specifications are subject to change without notice.

The device characteristics and parameters in this data sheet can and do vary in different applications and actual device performance may vary over time. Users should verify actual device performance in their specific applications.

2093 Series High Voltage 2-Electrode Gas Discharge Tube

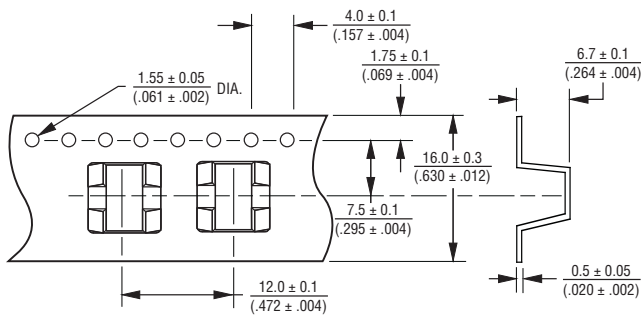
BOURNS®

Product Dimensions

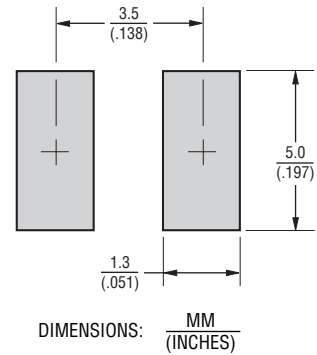


Packaging Specifications

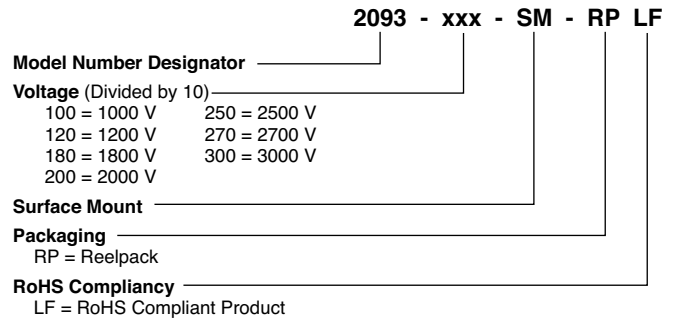
The Model 2093-xx-SM ships standard reelpack (-RP), 800 pieces per reel, 2,400 pieces per box. Reel is 330 mm in diameter and 16 mm wide.



Recommended Pad Layout



How to Order



BOURNS®

Asia-Pacific:

Tel: +886-2 2562-4117
 Fax: +886-2 2562-4116

EMEA:

Tel: +36 88 520 390
 Fax: +36 88 520 211

The Americas:

Tel: +1-951 781-5500
 Fax: +1-951 781-5700

www.bourns.com

REV. D 10/13

Specifications are subject to change without notice.
 The device characteristics and parameters in this data sheet can and do vary in different applications and actual device performance may vary over time.
 Users should verify actual device performance in their specific applications.