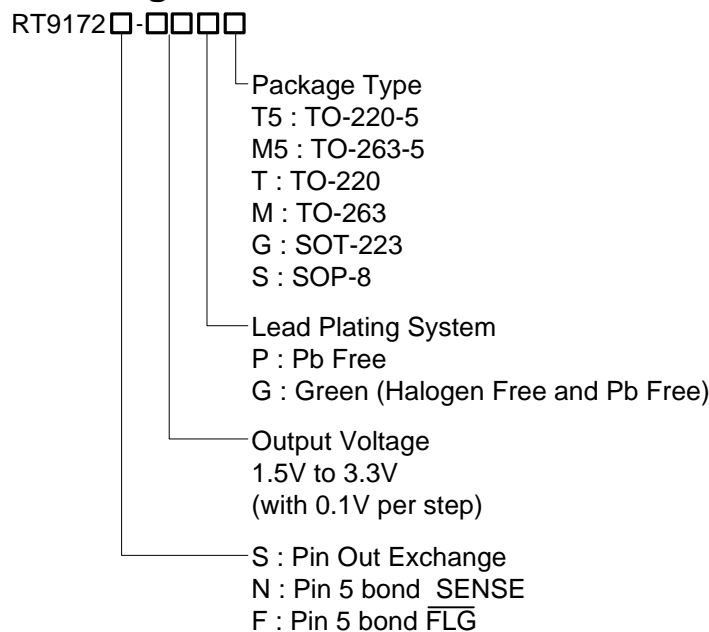


3A Fixed Output Voltage LDO Regulator

General Description

The RT9172 series of low dropout linear regulators operate from a 2.25V to 6V input supply. A wide range of preset output voltage options is available. These low dropout linear regulators respond very fast to step changes in load, which are suitable for low voltage microprocessor applications. The RT9172 uses an internal P-MOSFET as the pass device, which does not cause extra GND current in heavy load and dropout condition. The shutdown mode of low operation current makes the IC suitable for power-saving systems. The other features include current limiting and over temperature protection.

Ordering Information



Note :

Richtek products are :

- ▶ RoHS compliant and compatible with the current requirements of IPC/JEDEC J-STD-020.
- ▶ Suitable for use in SnPb or Pb-free soldering processes.

Marking Information

For marking information, contact our sales representative directly or through a Richtek distributor located in your area.

Features

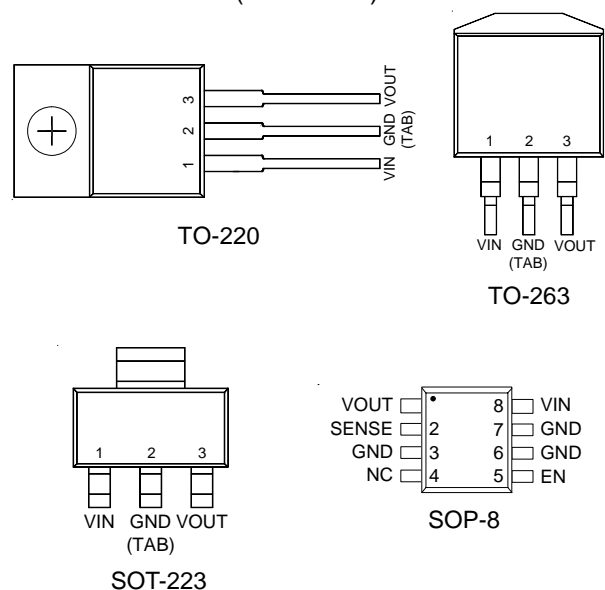
- Low Dropout Voltage
- Low Ground Pin Current
- Load Regulation of 0.4% at 3A
- 0.5mA Quiescent Current in Shutdown Mode
- Guaranteed Output Current of 3A DC
- Available in TO-263 and TO-220 Packages
- Output Voltage Accuracy $\pm 1.5\%$
- Error Flag Indicates Output Status
- Sense Option Improves Better Load Regulation
- Extremely Low Output Capacitor Requirements
- Over Temperature/Over- Current Protection
- RoHS Compliant and 100% Lead (Pb)-Free

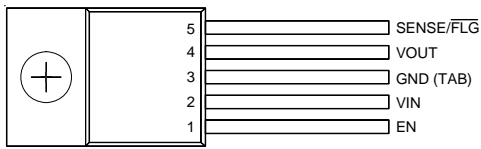
Applications

- Microprocessor Power Supplies
- GTL, GTL+, BTL, and SSTL Bus Terminators
- Power Supplies for DSPs
- SCSI Terminator
- Post Regulators
- High Efficiency Linear Regulators
- Battery Chargers
- Other Battery Powered Applications

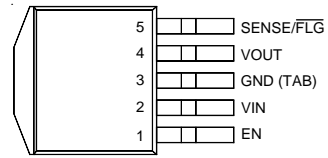
Pin Configurations

(TOP VIEW)

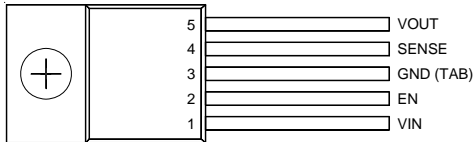




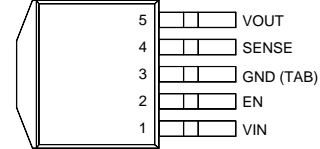
TO-220-5
RT9172N-□□xT5
RT9172F-□□xT5



TO-263-5
RT9172N-□□xM5
RT9172F-□□xM5



TO-220-5
RT9172S-□□xT5



TO-263-5
RT9172S-□□xM5

Functional Pin Description

Pin No.				Pin Name	Pin Function
RT9172F	RT9172N	RT9172S	RT9172- □□xT RT9172- □□xM RT9172- □□xG		
1	1	2	--	EN	Chip Enable. (Active Hight)
2	2	1	1	VIN	Power Input Voltage.
3	3	3	2	GND	Ground.
4	4	5	3	VOUT	Output Voltage.
5	--	--	--	FLG	ERROR Flag.
--	5	4	--	SENSE	Remote Sense.

Typical Application Circuit

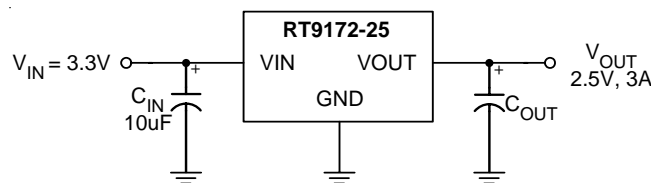


Figure 1

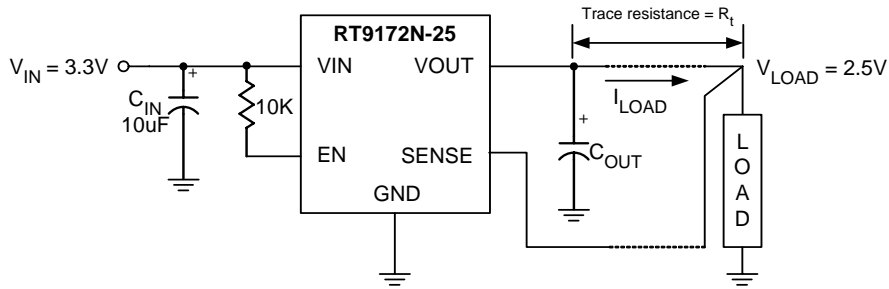


Figure 2

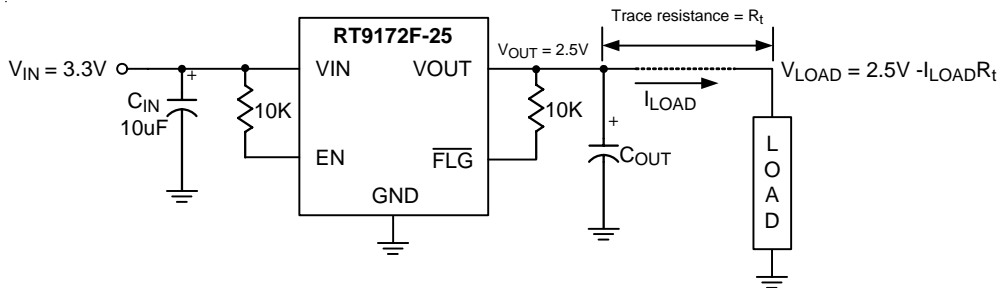
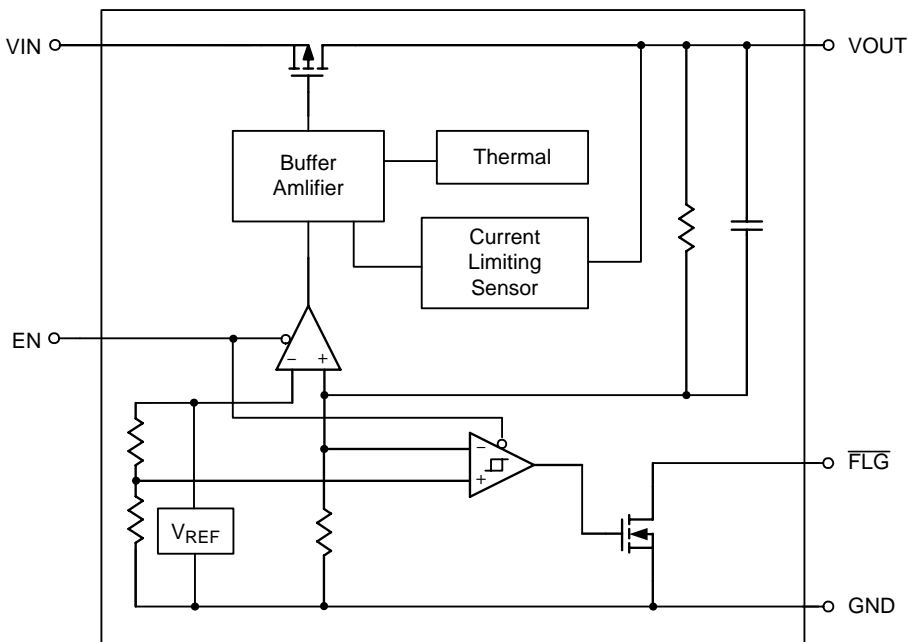


Figure 3

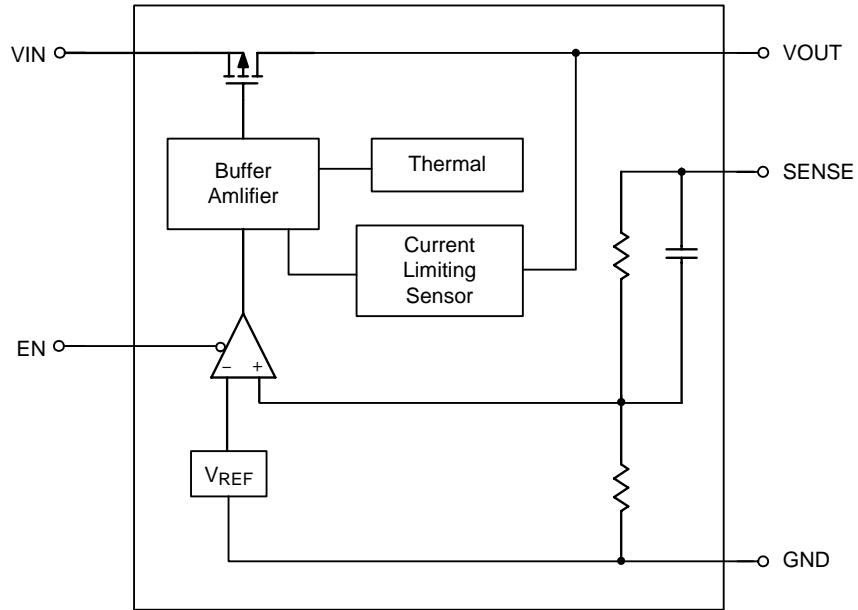
Recommend C_{OUT} : Please note that the part must be paralleled with the least a $100\mu F$ electrolytic capacitor when using a $10\mu F$ (or greater) ceramic type as the output capacitor to prevent the output oscillating.

Function Block Diagram

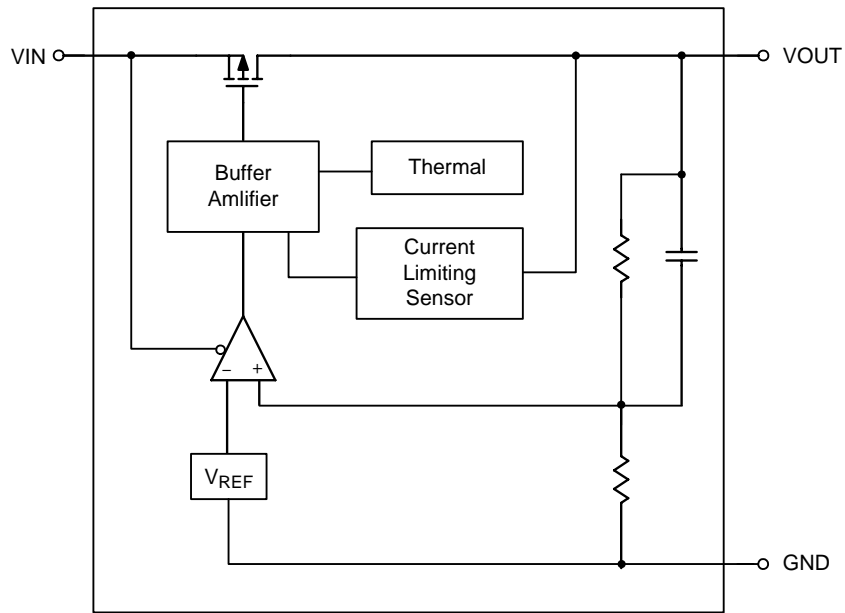
RT9172F



RT9172N/RT9172S



RT9172



Absolute Maximum Ratings

- Input Voltage ----- 6V
- Power Dissipation, $P_D @ T_A = 25^\circ\text{C}$
 - SOT-223 ----- 0.741W
 - SOP-8 ----- 0.625W
 - TO-263 ----- 2.222W
 - TO-220 ----- 1.820W
- Package Thermal Resistance (Note 1)
 - SOT-223, θ_{JC} ----- 23°C/W
 - SOT-223, θ_{JA} ----- 135°C/W
 - SOP-8, θ_{JC} ----- 45°C/W
 - SOP-8, θ_{JA} ----- 160°C/W
 - TO-263, θ_{JC} ----- 7.8°C/W
 - TO-263, θ_{JA} ----- 45°C/W
 - TO-220, θ_{JC} ----- 15°C/W
 - TO-220, θ_{JA} ----- 55°C/W
- ESD Rating ----- 3 kV
- Storage Temperature Range ----- -65°C to 150°C
- Lead Temperature (Soldering, 10 sec.) ----- 260°C
- Junction Temperature Range ----- -40°C to 125°C

Electrical Characteristics

(Limits in standard typeface are for $T_A = 25^\circ\text{C}$, unless otherwise specified: $V_{IN} = V_{O(NOM)} + 1.0\text{V}$, $I_L = 10\text{mA}$, $C_{OUT} = 10\mu\text{F}$ (Electrolytic), $V_{EN} = V_{IN}$)

Parameter	Symbol	Test Conditions	Min	Typ	Max	Unit
Output Voltage Tolerance			-1.5	0	1.5	%
Input Voltage Range	V_{IN}		2.25	--	5.5	V
Line Regulation	ΔV_{LINE}	$V_{OUT} + 0.4\text{V} < V_{IN} < 5.5\text{V}$	--	0.35	1	%
Load Regulation	ΔV_{LOAD}	Note 2	--	0.4	1	%
		Note 3	--	0.1	0.4	
		Note 4	--	0.1	0.4	
Dropout Voltage	V_{DROP}	$I_L = 3\text{A}$	--	400	700	mV
Quiescent Current	I_Q		--	1.2	3	mA
Shutdown Supply Current	I_{GSD}	$V_{EN} = 0\text{V}$	--	0.5	5	μA
Peak Output Current	$I_{O(PEAK)}$		3.5	5	--	A
Short Circuit Protection						
Current Limit	I_{LIMIT}		3.5	5	--	A
Over Temperature Protection						
Shutdown Threshold	T_{SD}	Guaranteed by design	--	170	--	$^\circ\text{C}$
Thermal Shutdown Hysteresis		Guaranteed by design	--	10	--	$^\circ\text{C}$

Parameter	Symbol	Test Conditions	Min	Typ	Max	Unit
Shutdown Function						
EN Pin Shutdown Threshold	V_{EN}	Output = High	1.2	V_{IN}	--	V
		Output = Low	--	0	0.4	
EN Input Current		$V_{EN} = V_{IN}$	--	0.1	--	nA
FLG Pin Leakage Current	$I_{LEAKAGE}$		--	1	--	nA
FLG Pin Sink Current		$V_{FLG} = 0.5V$	2	--	--	mA

Note 1. θ_{JA} is measured in the natural convection at $T_A = 25^\circ C$ on a low effective thermal conductivity test board of JEDEC 51-3 thermal measurement standard. The case point of θ_{JC} is on the center of the exposed pad. The pad size is $125mm^2$ on TO-263 packages.

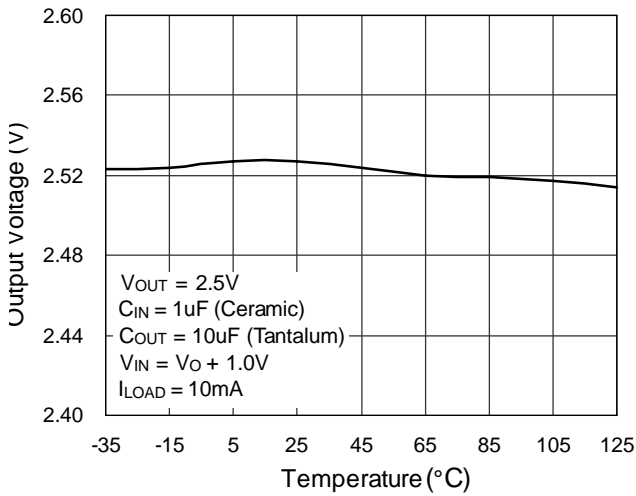
Note 2. RT9172-xX, RT9172F-XXxX5, $10mA < I_L < 3A$

Note 3. RT9172S-XXxX5, RT9172N-XXxX5, $10mA < I_L < 3A$

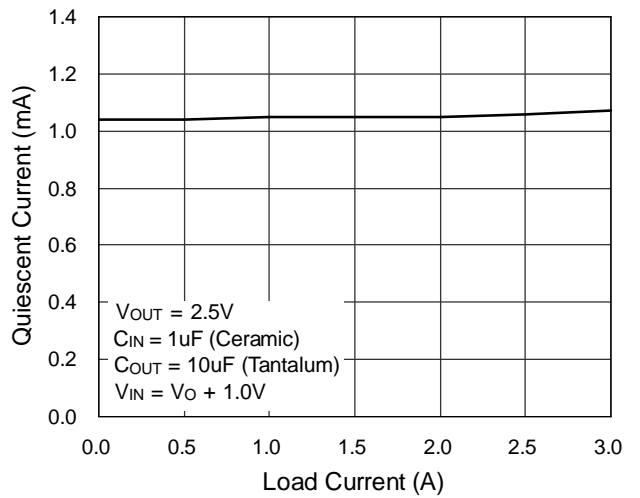
Note 4. RT9172xS, $10mA < I_L < 1.5A$

Typical Operating Characteristics

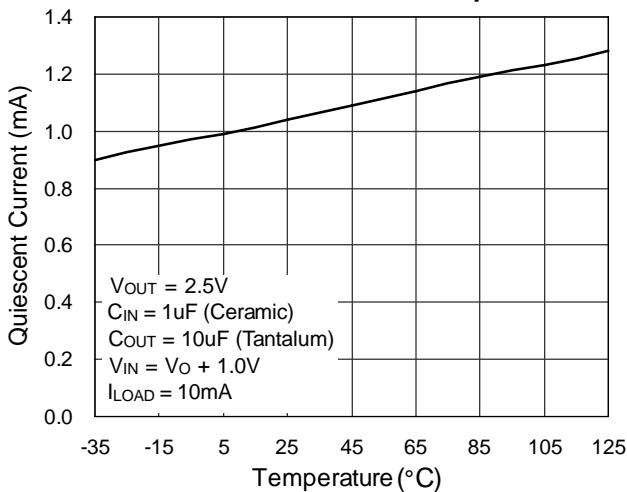
Temperature Stability



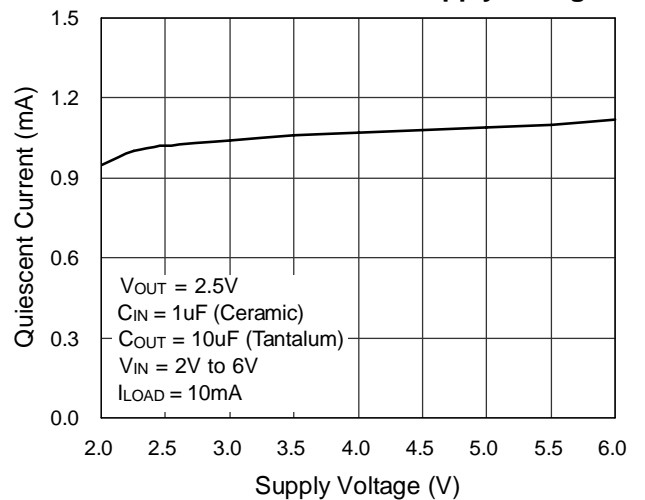
Quiescent Current vs. Load Current



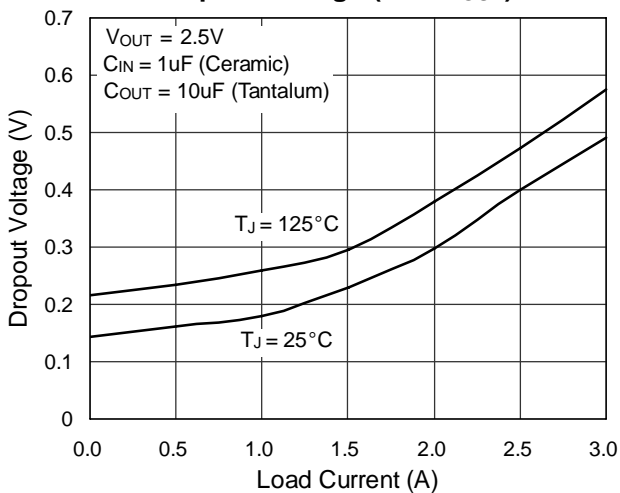
Quiescent Current vs. Temperature



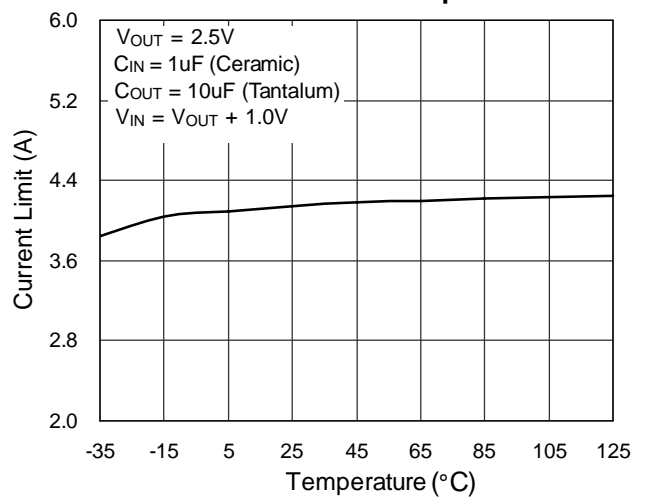
Quiescent Current vs. Supply Voltage

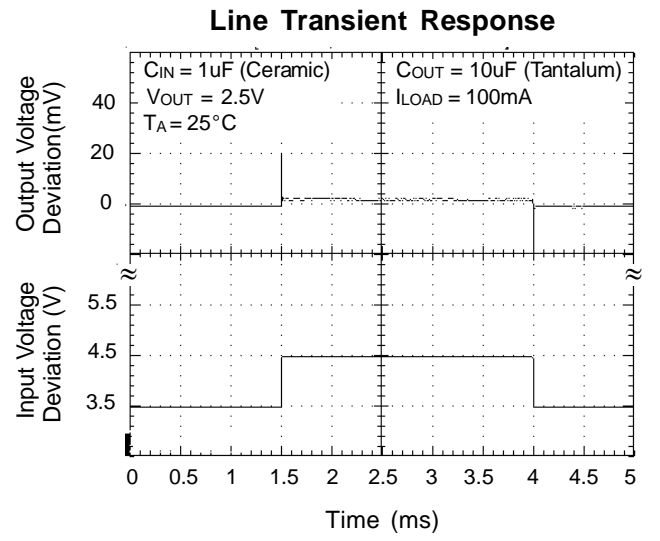
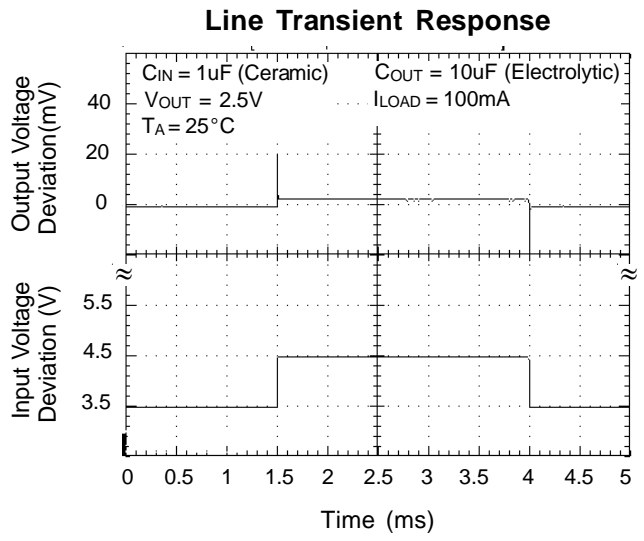
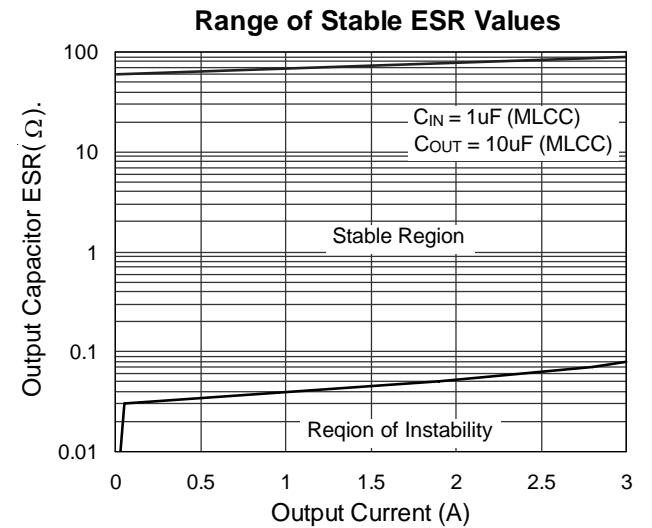
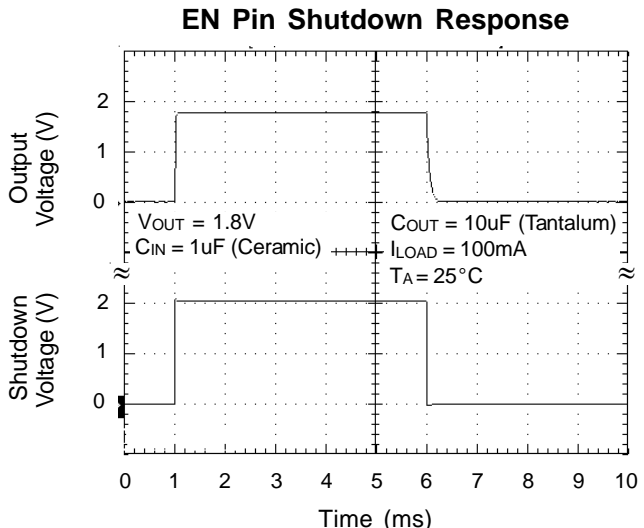
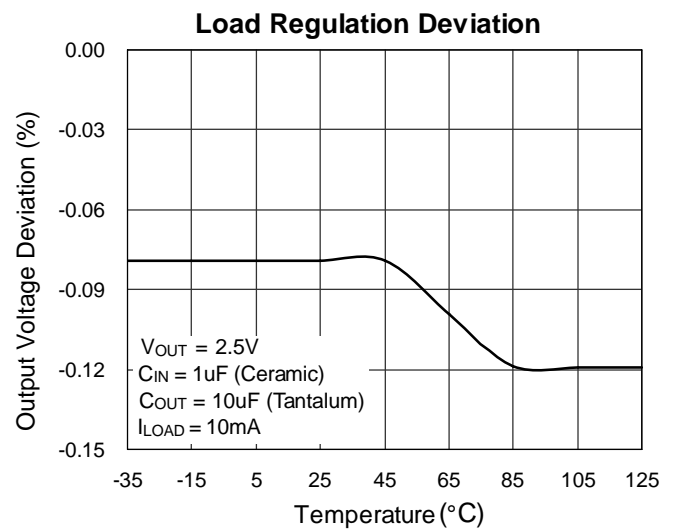
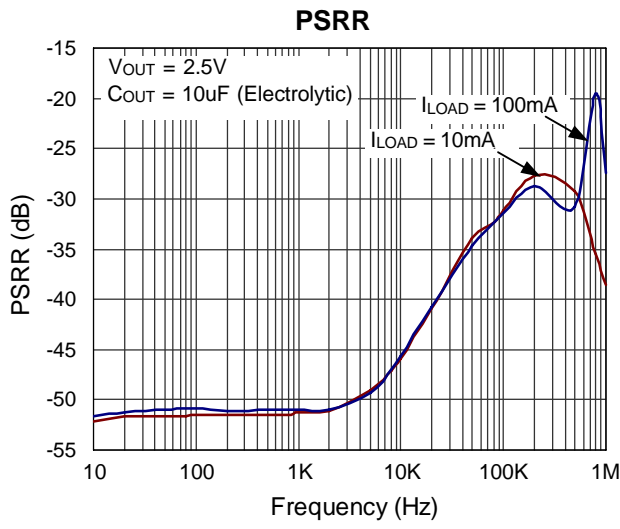


Dropout Voltage ($V_{IN} - V_{OUT}$)

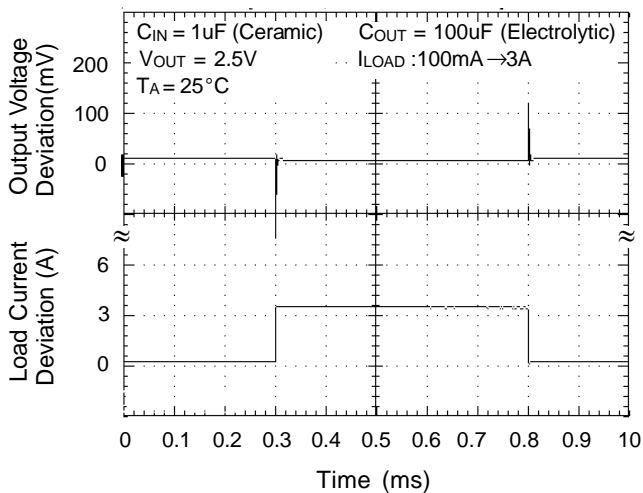


Current Limit vs. Temperature

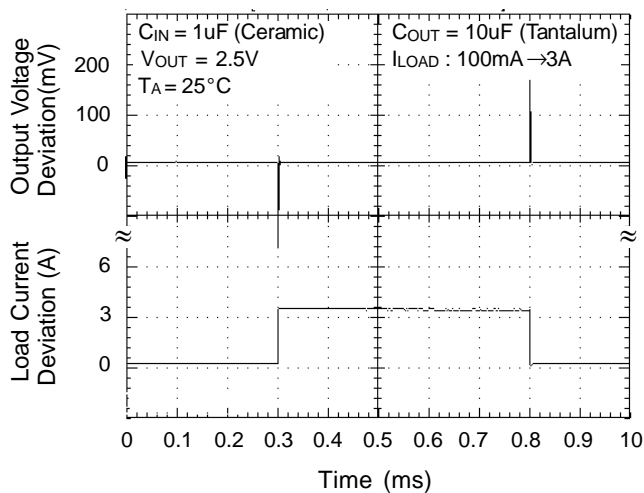




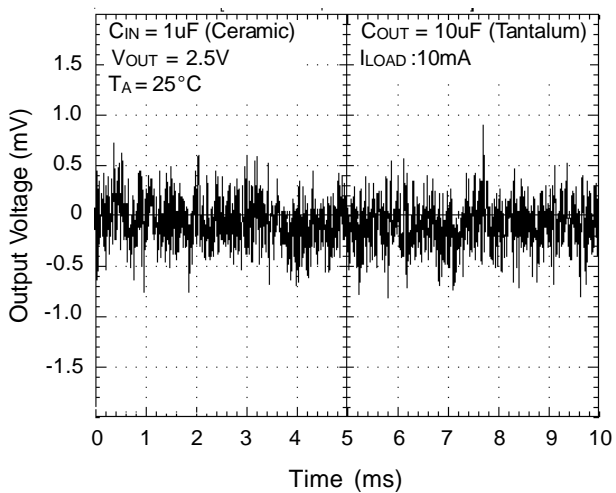
Load Transient Response



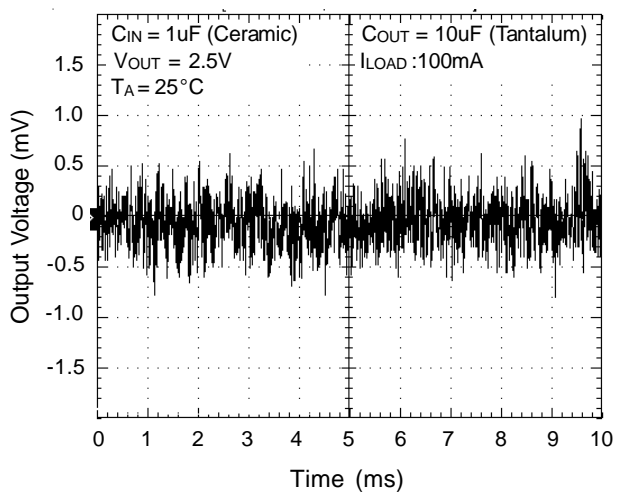
Load Transient Response



Noise Signal



Noise Signal



Application Information

Capacitor Selection

- An output capacitor as part of the device frequency compensation to maintain stability and improve transient response.
- Proper capacitor selection is important to ensure proper operation. When the output capacitor is 10 μ F or greater, the output capacitor should have an ESR less than 2 Ω . This will improve transient response as well as promote stability.
- Ultra-low-ESR capacitor (<100m Ω), such as ceramic chip capacitors, may promote instability. These very low ESR levels may cause an oscillation and/or underdamped transient response. A low-ESR solid tantalum capacitor works extremely well and provides good transient response and stability over temperature. Aluminum electrolytics can also be used, as long as the ESR of the capacitor is <2 Ω . The value of the output capacitor can be increased without limit. Higher capacitor values help to improve transient response and ripple rejection and reduce output noise.

The RT9172 requires a minimum input capacitance of 1 μ F between the input and ground pins to prevent any impedance interactions with the supply. The RT9172 requires a minimum of 10 μ F (tantalum, or electrolytic) capacitance between the output and ground pins for proper operation. Please note that the part must be paralleled with the least a 100 μ F electrolytic capacitor when using a 10 μ F (or greater) ceramic type as the output capacitor to prevent the output oscillating.

Error Operation ($\overline{\text{FLG}}$)

The RT9172 produces a logic low signal at the $\overline{\text{FLG}}$ pin when the output drops out of regulation due to low input voltage, current limiting, or thermal limiting.

The internal error $\overline{\text{FLG}}$ comparator has an open drain output stage. Hence, the $\overline{\text{FLG}}$ pin should be pulled high through a pull up resistor.

Sense Pin

In applications where the regulator output is not very close to the load, RT9172 can provide better remote load regulation using the SENSE pin. Figure 2. and Figure 3. depict the advantage of the SENSE option. RT9172 regulates the voltage at the output pin. Hence, the voltage at the remote load will be the regulator output voltage minus the drop across the trace resistance. For example, in the case of a 3.3V output, if the trace resistance is 100m Ω , the voltage at the remote load will be 3V with 3A of load current, I_{LOAD} . The RT9172 regulates the voltage at the sense pin. Connecting the sense pin to the remote load will provide regulation at the remote load, as shown in Figure 2. and Figure 3.

Chip Enable Operation

A CMOS logic level signal at the chip enable (EN) pin will turn-off the regulator. Pin EN must be actively terminated through a 10k Ω pull-up resistor for a proper operation. If this pin is driven from a source that actively pulls high and low (such as a CMOS rail to rail comparator), the pull-up resistor is not required. This pin must be tied to V_{IN} if not used.

Dropout Voltage

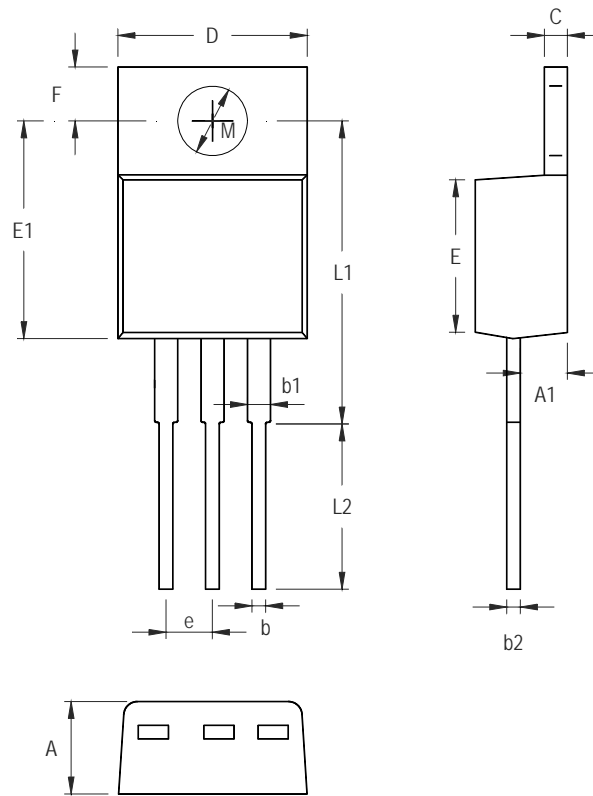
The dropout voltage of a regulator is defined as the minimum input-to-output differential required to stay within 2% of the output voltage. The RT9172 uses an internal MOSFET with an $R_{\text{DS(ON)}}$ 160m Ω . For CMOS LDOs, the dropout voltage is the product of the load current and the $R_{\text{DS(ON)}}$ of the internal MOSFET.

Maximum Output Current Capability

RT9172 can deliver a continuous current of 1.5 A over the full operating temperature range. A heatsink may be required depending on the maximum power dissipation and maximum ambient temperature of the application. Under all possible conditions, the junction temperature must be within the range specified under operating conditions. The total power dissipation of the device is given by : $PD = (V_{\text{IN}} - V_{\text{OUT}}) I_{\text{OUT}} + (V_{\text{IN}}) I_{\text{GND}}$

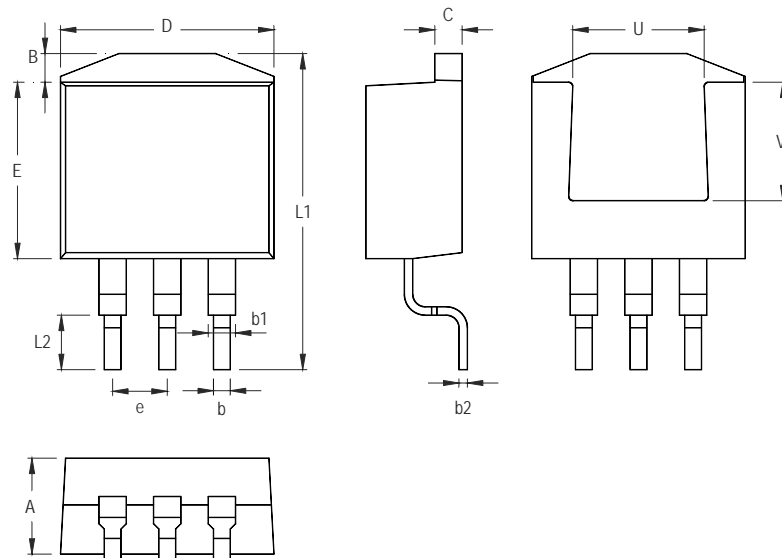
where I_{GND} is the operating ground current of the device (specified under Electrical Characteristics).

Outline Dimension



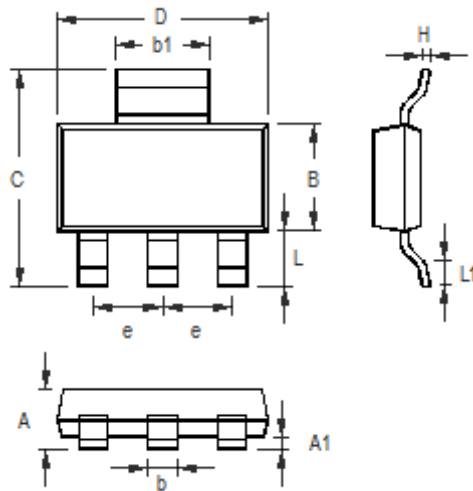
Symbol	Dimensions In Millimeters		Dimensions In Inches	
	Min	Max	Min	Max
A	4.064	4.826	0.160	0.190
A1	2.032	2.921	0.080	0.115
b	0.635	1.016	0.025	0.040
b1	1.143	1.524	0.045	0.060
b2	0.305	0.559	0.012	0.022
C	1.143	1.397	0.045	0.055
D	9.779	10.668	0.385	0.420
E	7.620	9.398	0.300	0.370
e	2.286	2.794	0.090	0.110
E1	11.176	12.954	0.440	0.510
F	2.616	2.870	0.103	0.113
L1	17.526	18.542	0.690	0.730
L2	7.544	8.636	0.297	0.340
M	3.708	3.962	0.146	0.156

3-Lead TO- 220 Plastic Package



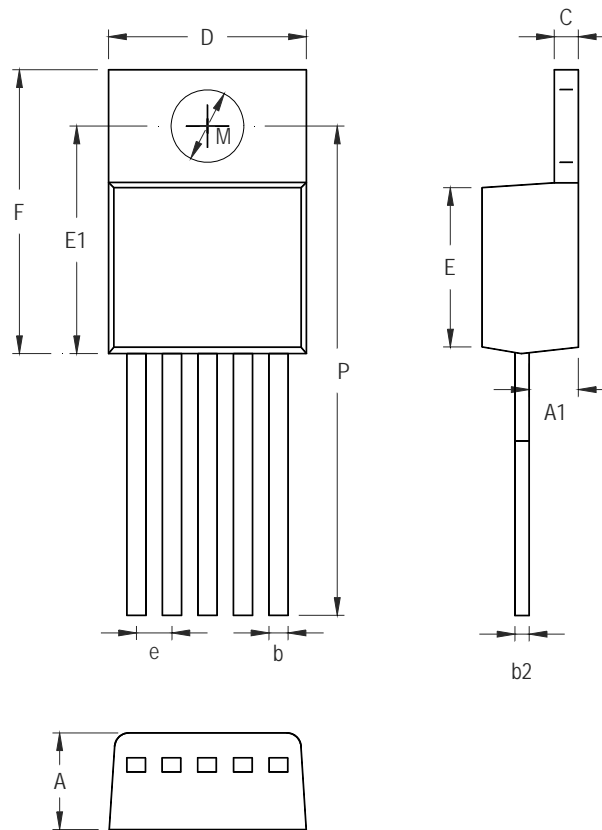
Symbol	Dimensions In Millimeters		Dimensions In Inches	
	Min	Max	Min	Max
A	4.064	4.826	0.160	0.190
B	1.143	1.676	0.045	0.066
b	0.660	0.914	0.026	0.036
b1	1.143	1.397	0.045	0.055
b2	0.305	0.584	0.012	0.023
C	1.143	1.397	0.045	0.055
D	9.652	10.668	0.380	0.420
E	8.128	9.652	0.320	0.380
e	2.286	2.794	0.090	0.110
L1	14.605	15.875	0.575	0.625
L2	2.286	2.794	0.090	0.110
U	6.223 Ref.		0.245 Ref.	
V	7.620 Ref.		0.300 Ref.	

3-Lead TO- 263 Surface Mount



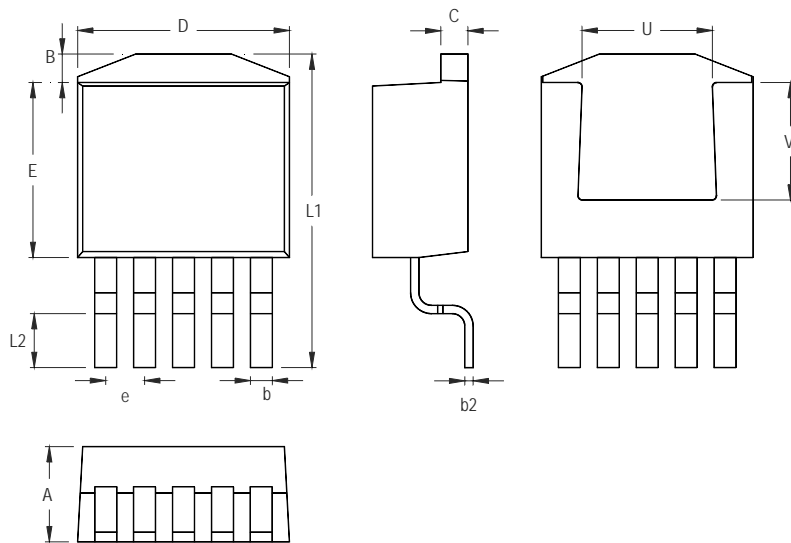
Symbol	Dimensions In Millimeters		Dimensions In Inches	
	Min	Max	Min	Max
A	1.400	1.800	0.055	0.071
A1	0.020	0.100	0.001	0.004
b	0.600	0.840	0.024	0.033
B	3.300	3.700	0.130	0.146
C	6.700	7.300	0.264	0.287
D	6.300	6.700	0.248	0.264
b1	2.900	3.100	0.114	0.122
e	2.300		0.091	
H	0.230	0.350	0.009	0.014
L	1.500	2.000	0.059	0.079
L1	0.800	1.100	0.031	0.043

3-Lead SOT-223 Surface Mount Package



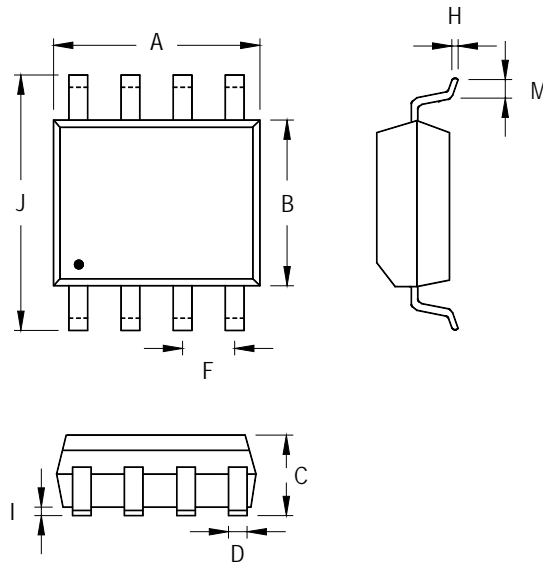
Symbol	Dimensions In Millimeters		Dimensions In Inches	
	Min	Max	Min	Max
A	4.064	4.826	0.160	0.190
A1	2.032	2.921	0.080	0.115
b	0.635	1.016	0.025	0.040
b2	0.305	0.559	0.012	0.022
C	1.143	1.397	0.045	0.055
e	1.524	1.829	0.060	0.072
D	9.779	10.668	0.385	0.420
E	7.620	9.398	0.300	0.370
E1	11.176	12.954	0.440	0.510
F	14.224	15.113	0.560	0.595
M	3.708	3.962	0.146	0.156
P	24.689	26.416	0.972	1.040

5-Lead TO-220 Plastic Package



Symbol	Dimensions In Millimeters		Dimensions In Inches	
	Min	Max	Min	Max
A	4.064	4.826	0.160	0.190
B	1.143	1.676	0.045	0.066
b	0.660	0.914	0.026	0.036
b2	0.305	0.584	0.012	0.023
C	1.143	1.397	0.045	0.055
D	9.652	10.668	0.380	0.420
E	8.128	9.652	0.320	0.380
e	1.524	1.829	0.060	0.072
L1	14.605	15.875	0.575	0.625
L2	2.286	2.794	0.090	0.110
U	6.223 Ref.		0.245 Ref.	
V	7.620 Ref.		0.300 Ref.	

5-Lead TO-263 Plastic Surface Mount Package



Symbol	Dimensions In Millimeters		Dimensions In Inches	
	Min	Max	Min	Max
A	4.801	5.004	0.189	0.197
B	3.810	3.988	0.150	0.157
C	1.346	1.753	0.053	0.069
D	0.330	0.508	0.013	0.020
F	1.194	1.346	0.047	0.053
H	0.170	0.254	0.007	0.010
I	0.050	0.254	0.002	0.010
J	5.791	6.200	0.228	0.244
M	0.400	1.270	0.016	0.050

8-Lead SOP Plastic Package

Richtek Technology Corporation

5F, No. 20, Taiyuen Street, Chupei City
 Hsinchu, Taiwan, R.O.C.
 Tel: (8863)5526789

Richtek products are sold by description only. Richtek reserves the right to change the circuitry and/or specifications without notice at any time. Customers should obtain the latest relevant information and data sheets before placing orders and should verify that such information is current and complete. Richtek cannot assume responsibility for use of any circuitry other than circuitry entirely embodied in a Richtek product. Information furnished by Richtek is believed to be accurate and reliable. However, no responsibility is assumed by Richtek or its subsidiaries for its use; nor for any infringements of patents or other rights of third parties which may result from its use. No license is granted by implication or otherwise under any patent or patent rights of Richtek or its subsidiaries.