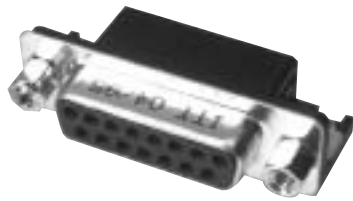


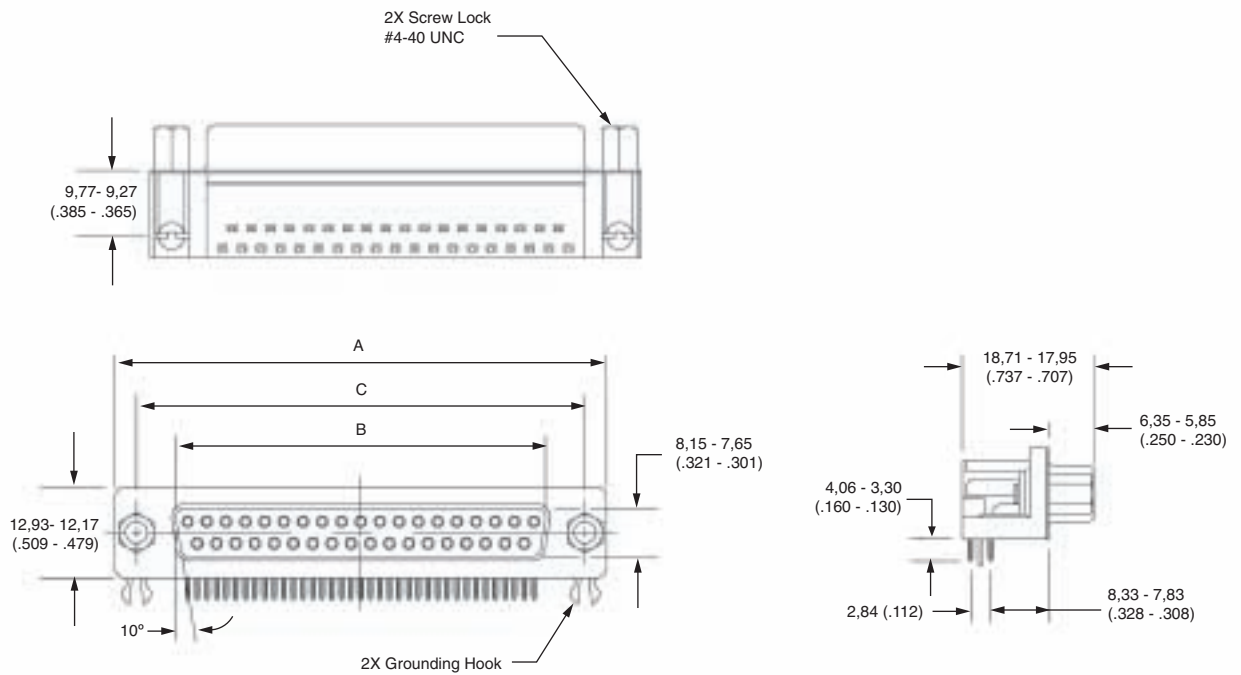
## Receptacle 90° Solder Termination (Stamped) - U.S. Footprint .318 inch



### Part Numbers

Shell size	Layout	Plastic Bracket Integrated Grounding Strap, Boardlock, Threaded Insert #4-40 UNC	Plastic Bracket Integrated Grounding Strap, Boardlock, Threaded Insert #4-40 UNC
DE	9	ZEDEL9SBA	ZEDE9SBA
DA	15	ZEDAL15SBA	ZEDA15SBA
DB	25	ZEDBL25SBA	ZEDB25SBA
DC	37	ZEDCL37SBA	ZEDC37SBA

**Note:** For contacts with 30 microinches of gold add -30. Example ZEDEL9SBA-30



### Dimensions

Shell size	A ±0,38 (.15)	B ±0,25 (.010)	C ±0,25 (.010)
DE	30,89 (1.216)	16,28 (.641)	24,99 (.984)
DA	39,09 (1.539)	24,66 (.971)	33,32 (1.312)
DB	53,09 (2.090)	38,38 (1.511)	47,04 (1.852)
DC	69,40 (2.732)	54,84 (2.159)	63,50 (2.500)

Dimensions shown in mm  
Specifications and dimensions subject to change