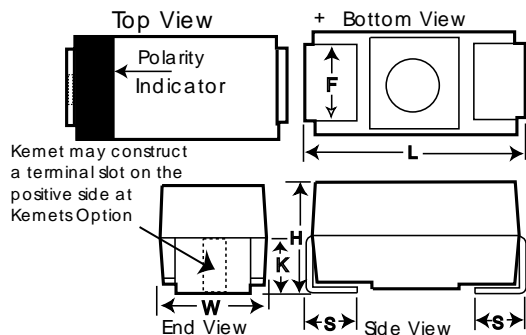


KEMET Part Number: T495B106K025ZTE750
(B45025B1069K757)

Capacitor, Tantalum, SMD, Molded, Low ESR, Surge Robust, 10 uF, 3528, +/-10% Tol, 25V@85C



Dimensions (mm)		
Symbol	Dimension	Tolerance
L	3.5	+/-0.2
W	2.8	+/-0.2
H	1.9	+/-0.2
K	1.4	typ
F	2.2	+/-0.1
S	0.7	+/-0.3

Notes:

-In polarity stripe, at KEMET's option, type may be indicated: see catalog for explanation of symbols

-Old part number [Obsolete] was B45025B1069K757

General Information	
Supplier:	KEMET
Part Type Description:	SMD, Molded, Low ESR, Surge Robust
Construction:	Standard Chip-MnO2

Specifications	
Capacitance:	10 uF
Voltage DC @ 85C:	25V
Voltage DC @ 105C:	20.88V
Voltage DC @ 125C:	16.75V
Tolerance:	+/-10%
Application:	General Purpose/Low ESR
Temperature Range:	-55/+125C
Body Type:	Molded Chip
ESR:	750 mOhm
Footprint:	3528
Termination:	Tin
RoHS:	Yes
Leakage Current:	2.5 uA
Dissipation Factor:	6%
Ripple @ 25C:	0.34 A
Ripple @ 85C:	0.306 A
Ripple @ 125C:	0.136 A

Packaging Specifications	
Package Kind:	T&R
Package Size:	7in
Package Quantity:	2000