

KTC LED.PowerSpot 6W HaloLED

6W GU10 PAR16 Lamp



Product Overview

Flagship products from Kosnic's Technology Centre, the HaloLEDs are uncompromising replacements for halogen GU10 lamps. The unique LED lens and Chip On Board technology deliver the same ambience as halogen, while delivering huge energy savings over halogen lamps without compromising on brightness.

Features

- Save energy up to 85% compared with halogen lamp.
- Direct replacement of GU10 halogen lamp.
- High lumen output.
- Long life of 35,000h.
- Instant start.
- Negligible UV output.
- Mercury free.

Safety and Maintenance

- Switch off supply before installing or removing lamp. Allow to cool before handling.
- Do not use in totally enclosed fittings as this will reduce lamp life.
- Do not dispose of in household waste.
- Dispose of in appropriate section of local civic amenity site or recycling centre.

Specifications

Product Code	KTC06COB/GU10-S27	KTC06COB/GU10-S40	KTC06COB/GU10-S65
Lamp Cap	GU10	GU10	GU10
Lamp Shape	PAR16	PAR16	PAR16
Nominal Power (W)	6	6	6
Voltage	220-240Vac 50-60Hz	220-240Vac 50-60Hz	220-240Vac 50-60Hz
Current (mA)	49	49	49
Nominal Useful Luminous Flux (lm)	340	390	420
Total Luminous Flux (lm)	400	420	450
CCT (K)	2700K Warm White	4000K Cool White	6500K Day Light
Nominal Lifetime (h)	35000	35000	35000
Beam Angle (°)	36	36	36
Dimmable	No	No	No
Switching Cycles	50000	50000	50000
Warm-up time to 60% (S)	Instant full light	Instant full light	Instant full light
Suitable for Accent Lighting	Yes	Yes	Yes
Length (mm)	55	55	55
Diameter (mm)	50	50	50
Mercury (mg)	0	0	0
Clean-up instructions	N/A	N/A	N/A
Retrofit	Yes	Yes	Yes
Equivalent Wattage (W)	50	57	61
Rated Power (W)	6.0	6.0	6.0
Rated Useful Luminous Flux (lm)	340	390	420
Rated Lifetime (h)	35000	35000	35000
Power Factor	0.53	0.53	0.53
Rated Peak Candelas (cd)	650	660	710
Lumen Maintenance Factor at Nominal Lifetime	0.75	0.75	0.75
SDCM of CCT	<6	<6	<6
CRI	82	81	82
Start Time (s)	0.38	0.38	0.38
Ambient Temperature Range (°C)	-20 to 40	-20 to 40	-20 to 40

Notes: The Useful Luminous Flux quoted is for the output within a 90° cone as per the EU implementing directive on ecodesign requirements for directional lamps.

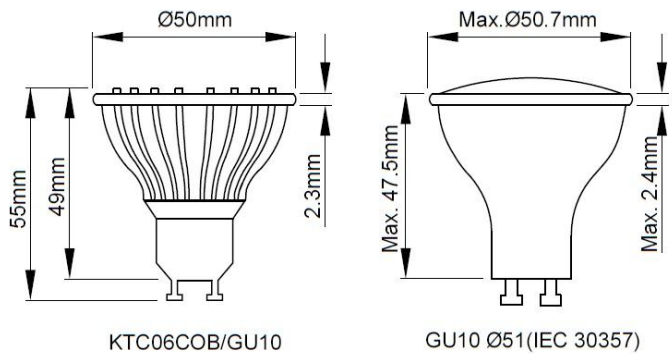
Energy Label

Manufacturer	Kosnic	Kosnic	Kosnic
Product Code	KTC06COB/GU10-S27	KTC06COB/GU10-S40	KTC06COB/GU10-S65
Energy Class	A	A+	A+
Energy Consumption (kWh/1000h)	6.0	6.0	6.0

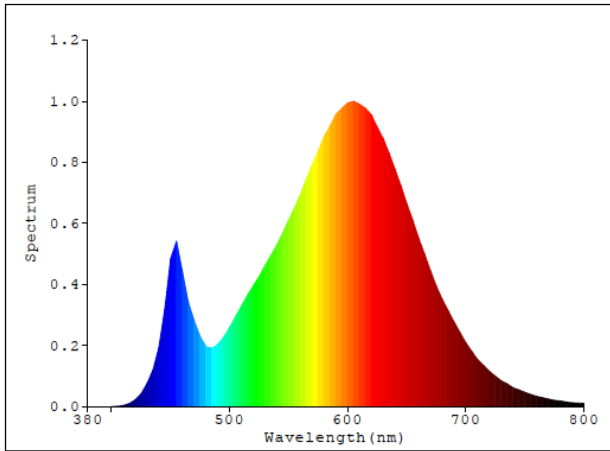
Product Markings

Manufacturer	Kosnic	Kosnic	Kosnic
Product Code	KTC06COB/GU10-S27	KTC06COB/GU10-S40	KTC06COB/GU10-S65
Volts (V)	220-240Vac 50-60Hz	220-240Vac 50-60Hz	220-240Vac 50-60Hz
Nominal Watts (W)	6	6	6
Current (mA)	49	49	49
Nominal Useful Luminous Flux (lm)	340	390	420
CCT (K)	2700	4000	6500
Beam Angle (°)	36	36	36
CE Mark	Yes	Yes	Yes
WEEE Mark	Yes	Yes	Yes
Batch Code	Yes	Yes	Yes

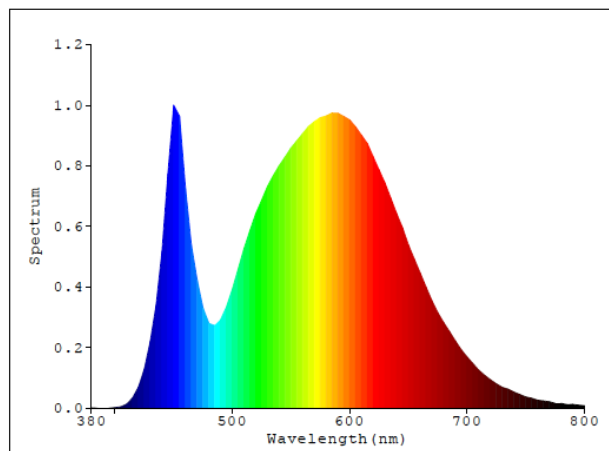
Dimensions



2700K



4000K



6500K

