

LED.Home 2W G9

2W G9 Lamp



Product Overview

Kosnic's Home range of LED products brings the energy saving capabilities of LED technology to the home. The range is both beautiful and functional while offering lamps that deliver huge energy savings over filament lamps without compromising on brightness. The lamps can quickly replace filament products in general lighting applications, and once in place rapid payback is achieved.

Features

- Save energy up to 80% compared with filament lamp.
- Direct replacement for G9 lamps.
- High lumen output.
- Long life of 30,000h.
- Instant start.
- Negligible UV output.
- Mercury free.

Safety and Maintenance

- Switch off supply before installing or removing lamp. Allow to cool before handling.
- Do not use in totally enclosed fittings as this will reduce lamp life.
- Do not dispose of in household waste.
- Dispose of in appropriate section of local civic amenity site or recycling centre.

Specifications

Product Code	KLED02CPL/G9-N30	KLED02CPL/G9-N60
Lamp Cap	G9	G9
Lamp Shape	G9	G9
Nominal Power (W)	2	2
Voltage	220-240Vac 50-60Hz	220-240Vac 50-60Hz
Current (mA)	10	10
Nominal Luminous Flux (lm)	90	100
CCT (K)	3000K Warm Light	6000K Day Light
Nominal Lifetime (h)	30000	30000
Dimmable	No	No
Switching Cycles	50000	50000
Warm-up time to 60% (S)	Instant full light	Instant full light
Length (mm)	50	50
Diameter (mm)	14	14
Mercury (mg)	0	0
Clean-up instructions	N/A	N/A
Retrofit	Yes	Yes
Equivalent Wattage (W)	10	11
Rated Power (W)	2.0	2.0
Rated Luminous Flux (lm)	90	100
Rated Lifetime (h)	30000	30000
Power Factor	0.80	0.80
Rated Peak Candelas (cd)	10	10
Lumen Maintenance Factor at Nominal Lifetime	0.75	0.75
SDCM of CCT	<6	7.20
CRI	80	84
Start Time (s)	0.10	0.10
Ambient Temperature Range (°C)	-20 to 40	-20 to 40

Energy Label

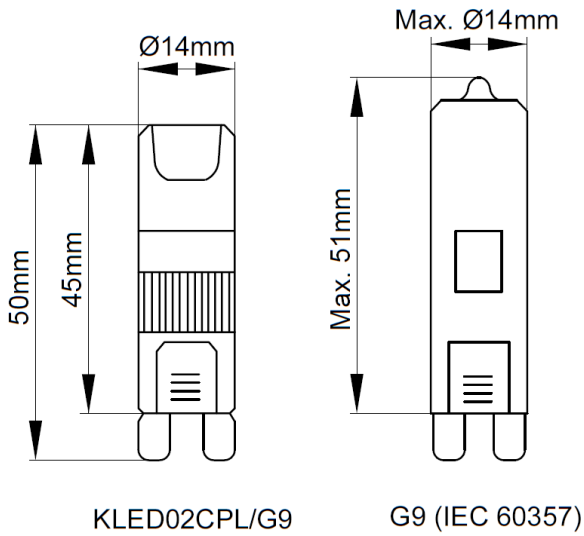
Manufacturer	Kosnic	Kosnic
Product Code	KLED02CPL/G9-N30	KLED02CPL/G9-N60
Energy Class	A+	A+
Energy Consumption (kWh/1000h)	2.00 (2)*	2.00 (2)*

* The kWh/1000h value published on the energy label is required to be rounded up to an integer according to the EU implementing directive on Energy Labelling. The value to 2 decimal places is given for reference.

Product Markings

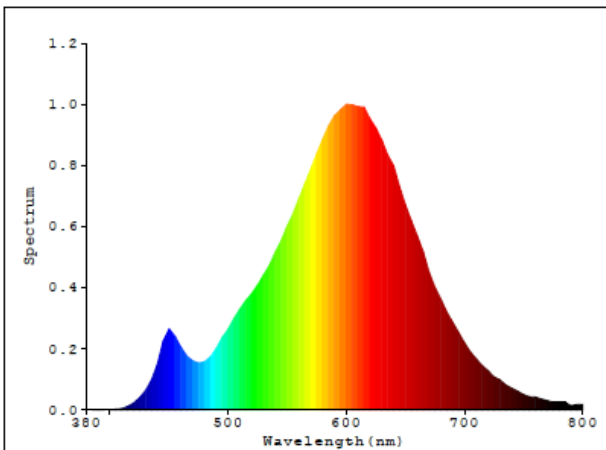
Manufacturer	Kosnic	Kosnic
Product Code	KLED02CPL/G9-N30	KLED02CPL/G9-N60
Voltage	220-240Vac 50-60Hz	220-240Vac 50-60Hz
Nominal Power (W)	2	2
Current (mA)	10	10
CE Mark	Yes	Yes
WEEE Mark	Yes	Yes
Batch Code	Yes	Yes

Dimensions



Photometric Information

3000K



6000K

