

4.5W LED

4.5W GU10 PAR16 and G5.3 MR16 Lamp



Features

- Save energy up to 85% compared with halogen lamp.
- Replacement for GU10 and G5.3 halogen lamps.
- G5.3 requires 12Vdc Constant Voltage LED Driver.
- High lumen output.
- Long life of 20,000h.
- Instant start.
- Negligible UV output.
- Mercury free.

Safety and Maintenance

- Switch off supply before installing or removing lamp. Allow to cool before handling.
- Do not use in totally enclosed fittings as this will reduce lamp life.
- Do not dispose of in household waste.
- Dispose of in appropriate section of local civic amenity site or recycling centre.



Specifications – GU10

Product Code	RLCOB4.5GU10-30-S	RLCOB4.5GU10-65-S
Lamp Cap	GU10	GU10
Lamp Shape	PAR16	PAR16
Nominal Power (W)	4.5	4.5
Voltage	220-240Vac 50-60Hz	220-240Vac 50-60Hz
Current (mA)	45	45
Nominal Useful Luminous Flux (lm)	230	250
Total Luminous Flux (lm)	250	270
CCT (K)	3000K Warm White	6500K Day Light
Nominal Lifetime (h)	20000	20000
Beam Angle (°)	45	45
Dimmable	No	No
Switching Cycles	50000	50000
Warm-up time to 60% (S)	Instant full light	Instant full light
Suitable for Accent Lighting	Yes	Yes
Length (mm)	52.5	52.5
Diameter (mm)	50.0	50.0
Mercury (mg)	0	0
Clean-up instructions	N/A	N/A
Retrofit	Yes	Yes
Equivalent Wattage (W)	36	38
Rated Power (W)	4.5	4.5
Rated Useful Luminous Flux (lm)	230	250
Rated Lifetime (h)	20000	20000
Power Factor	0.43	0.43
Rated Peak Candelas (cd)	400	450
Lumen Maintenance Factor at Nominal Lifetime	0.75	0.75
SDCM of CCT	<6	<6
CRI	80	80
Start Time (s)	0.42	0.42
Ambient Temperature Range (°C)	-20 to 40	-20 to 40

Notes: The Useful Luminous Flux quoted is for the output within a 90° cone as per the EU implementing directive on ecodesign requirements for directional lamps.

Specifications – G5.3

Product Code	RLCOB4.5G5.3-30-S	RLCOB4.5G5.3-65-S
Lamp Cap	G5.3	G5.3
Lamp Shape	MR16	MR16
Nominal Power (W)	4.5	4.5
Voltage	12Vdc	12Vdc
Current (mA)	375	375
Nominal Useful Luminous Flux (lm)	230	250
Total Luminous Flux (lm)	250	270
CCT (K)	3000K Warm White	6500K Day Light
Nominal Lifetime (h)	20000	20000
Beam Angle (°)	45	45
Dimmable	No	No
Switching Cycles	50000	50000

Warm-up time to 60% (S)	Instant full light	Instant full light
Suitable for Accent Lighting	Yes	Yes
Length (mm)	47.0	47.0
Diameter (mm)	50.0	50.0
Mercury (mg)	0	0
Clean-up instructions	N/A	N/A
Retrofit	Yes	Yes
Equivalent Wattage (W)	23	25
Rated Power (W)	4.5	4.5
Rated Useful Luminous Flux (lm)	230	250
Rated Lifetime (h)	20000	20000
Power Factor	1.00	1.00
Rated Peak Candelas (cd)	400	450
Lumen Maintenance Factor at Nominal Lifetime	0.75	0.75
SDCM of CCT	<6	<6
CRI	80	80
Start Time (s)	0.42	0.42
Ambient Temperature Range (°C)	-20 to 40	-20 to 40

Notes: The Useful Luminous Flux quoted is for the output within a 90° cone as per the EU implementing directive on ecodesign requirements for directional lamps.

Energy Label – GU10

Manufacturer	REON	REON
Product Code	RLCOB4.5GU10-30-S	RLCOB4.5GU10-65-S
Energy Class	A+	A+
Energy Consumption (kWh/1000h)	4.50 (5)*	4.50 (5)*

Note: The kWh/1000h value published on the energy label is required to be rounded up to an integer according to the EU implementing directive on Energy Labelling. The value to 2 decimal places is given for reference.

Energy Label – G5.3

Manufacturer	REON	REON
Product Code	RLCOB4.5G5.3-30-S	RLCOB4.5G5.3-65-S
Energy Class	A	A
Energy Consumption (kWh/1000h)	4.95 (5)*	4.95 (5)*

Note: The kWh/1000h value published on the energy label is required to be rounded up to an integer according to the EU implementing directive on Energy Labelling. The value to 2 decimal places is given for reference.

Product Markings – GU10

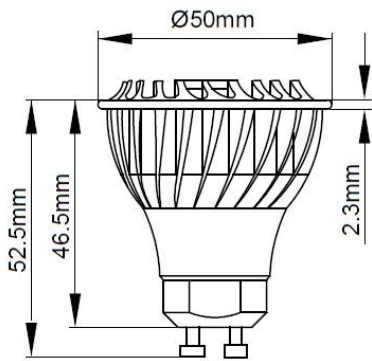
Manufacturer	REON	REON
Product Code	RLCOB4.5GU10-30-S	RLCOB4.5GU10-65-S
Volts (V)	220-240Vac 50-60Hz	220-240Vac 50-60Hz
Nominal Watts (W)	4.5	4.5
Current (mA)	45	45
Nominal Useful Luminous Flux (lm)	230	250
CCT (K)	3000	6500
Beam Angle (°)	45	45
CE Mark	Yes	Yes
WEEE Mark	Yes	Yes
Batch Code	Yes	Yes



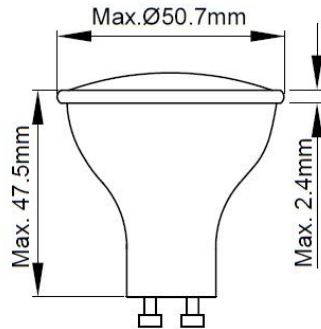
Product Markings – G5.3

Manufacturer	REON	REON
Product Code	RLCOB4.5G5.3-30-S	RLCOB4.5G5.3-65-S
Volts (V)	12Vdc	12Vdc
Nominal Watts (W)	4.5	4.5
Current (mA)	375	375
Nominal Useful Luminous Flux (lm)	230	250
CCT (K)	3000	6500
Beam Angle (°)	45	45
CE Mark	Yes	Yes
WEEE Mark	Yes	Yes
Batch Code	Yes	Yes

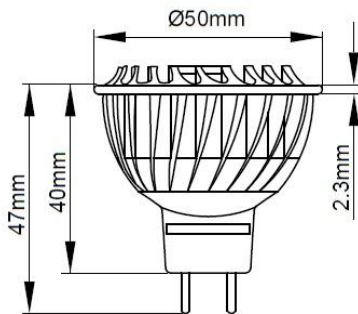
Dimensions



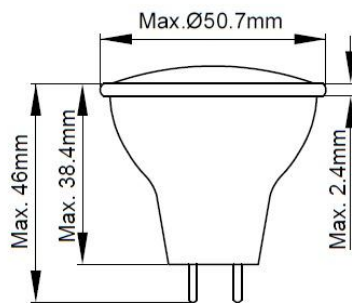
RLCOB4.5GU10



GU10 Ø51(IEC60357)



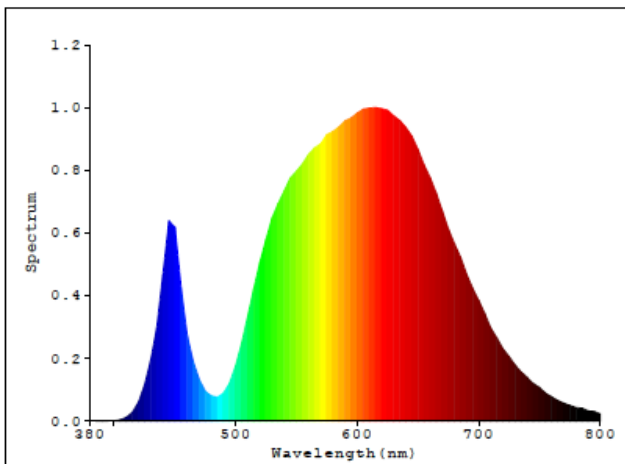
RLCOB4.5G5.3



GU5.3 Ø50.8(IEC 60357)

Photometric Information

3000K



6500K

