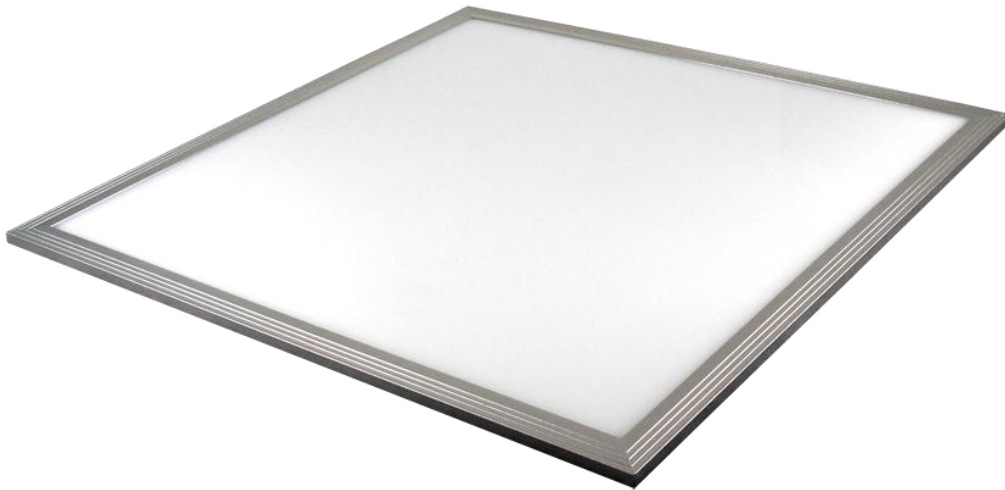


## LED Panel

### 36W and 45W LED Panels with Emergency Option



### Product Overview

The Kosnic LED ceiling and wall panel is an easy-to-retrofit replacement for standard ceiling tile fittings. In the workplace or educational setting, users require uniform light to maintain well-being. The Kosnic LED panel offers Edge-Lit technology to achieve constant light across the surface of the luminaire.

### Features

- Save up to 50% energy usage compared to traditional fluorescent fittings.
- Compatible with Kosnic's KTC70EME-PNL emergency module.
- Optional surface and suspension mounting kits available.
- Class II
- High lumen output.
- Long life of 40,000h.
- Slim profile design.
- Dimmable DALI driver available for 36W LED panel.
- Instant start.
- Negligible UV output.
- Mercury free.

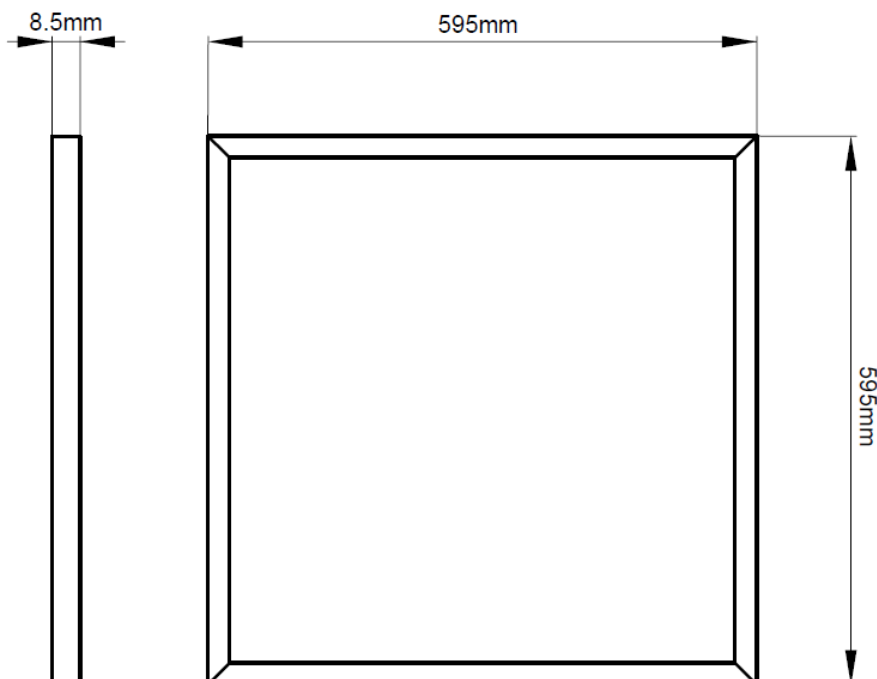
### Emergency Module Compatible

The LED panel is compatible with the Kosnic emergency module, which provides power in the event of a cut in the supply and must be wired to the un-switched supply through the un-switched Live terminal. The battery will supply the lamp for over 3 hours at a reduced output.

### Specifications

Product Code	KLED36PNL-W40	KLED36PNL-W65	KLED45PNL-W40	KLED45PNL-W65
Power (W)	36	36	45	45
Voltage	220-240Vac 50-60Hz	220-240Vac 50-60Hz	220-240Vac 50-60Hz	220-240Vac 50-60Hz
Current (mA)	165	165	206	206
Protection	Class II / IP40	Class II / IP40	Class II / IP40	Class II / IP40
Power Factor	0.95	0.95	0.95	0.95
Luminous Flux (lm)	2900	3100	3800	4000
CCT (K)	4000K Cool White	6500K Day Light	4000K Cool White	6500K Day Light
CRI	82	83	82	83
Beam Angle (°)	120	120	120	120
Lifetime (h)	40000	40000	40000	40000
Dimmable	No	No	No	No
Switching Cycles	50000	50000	50000	50000
Start Time (s)	0.30	0.30	0.35	0.35
Warm-up time to 60% (s)	Instant full light	Instant full light	Instant full light	Instant full light
Length (mm)	595	595	595	595
Width (mm)	595	595	595	595
Depth (mm)	8.5	8.5	8.5	8.5
Mercury (mg)	0	0	0	0
Retrofit	Yes	Yes	Yes	Yes
Rated Peak Candelas (cd)	1000	1100	1300	1450
Lumen Maintenance Factor at Lifetime	0.75	0.75	0.75	0.75
Ambient Temperature (°C)	-20 to 40	-20 to 40	-20 to 40	-20 to 40
Compatible Emergency Module	KTC70EME-PNL	KTC70EME-PNL	KTC70EME-PNL	KTC70EME-PNL

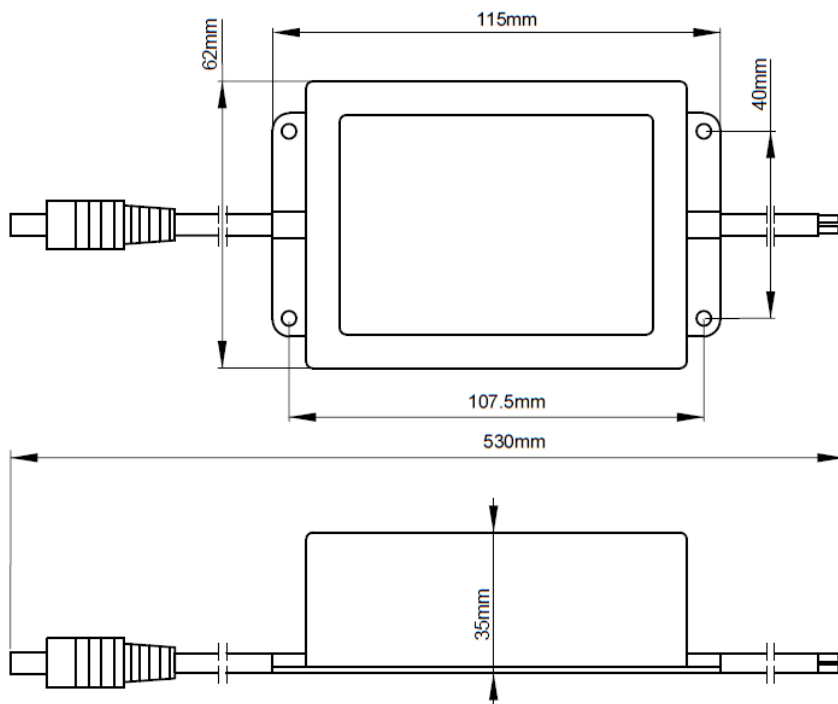
### Panel Dimensions



### Specifications – Constant Current LED Driver

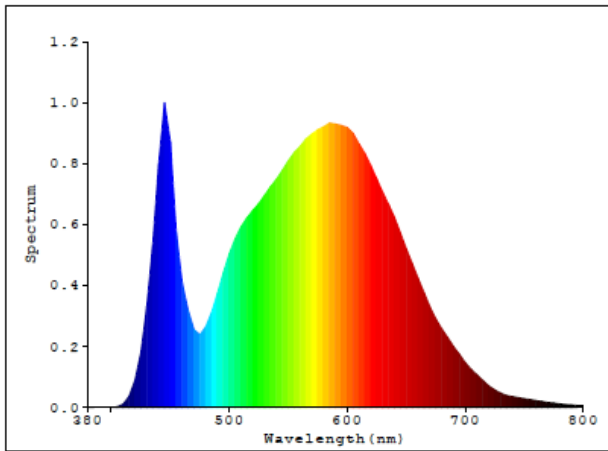
Product Code	KPNL1350DRV
Input Voltage	100-277Vac 50-60Hz
Input Current	0.15-0.23A at 240Vac
Maximum Power	50W
Output Voltage	22-36Vdc
Output Current	1.35A
Protection	Class II / IP40
Length (mm)	115
Width (mm)	62
Depth (mm)	35
Power Factor	0.95
Maximum Case Temperature (°C)	75
Ambient Temperature (°C)	-20 to 40

### Driver Dimensions

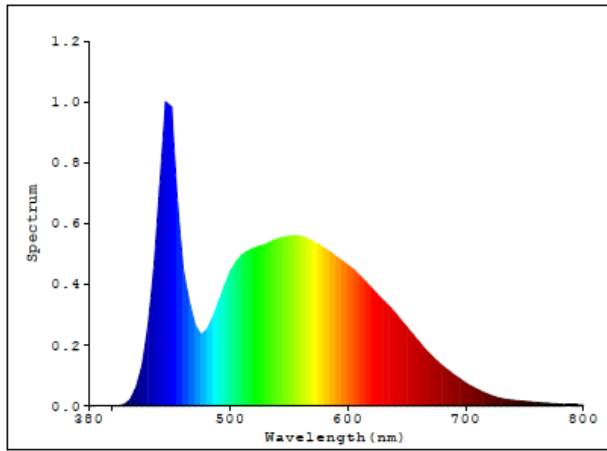


### Photometric Information

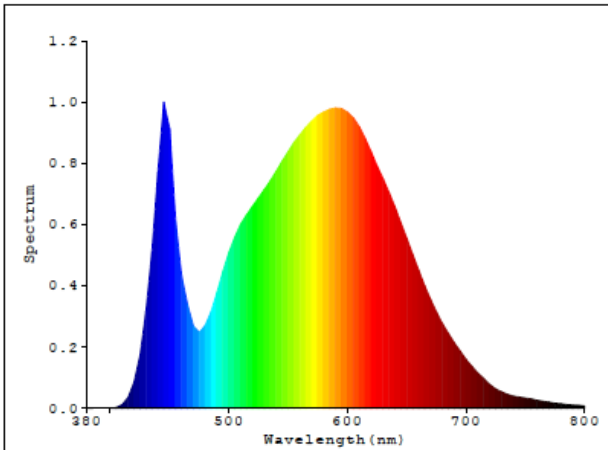
36W 4000K



36W 6500K



45W 4000K



45W 6500K

