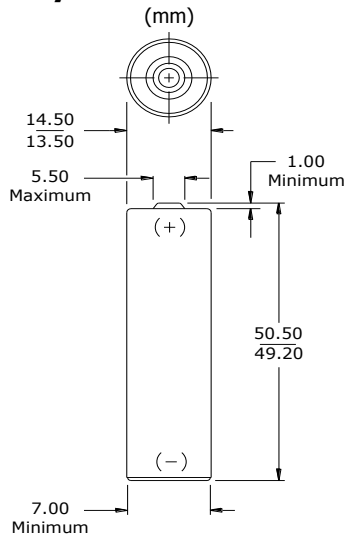


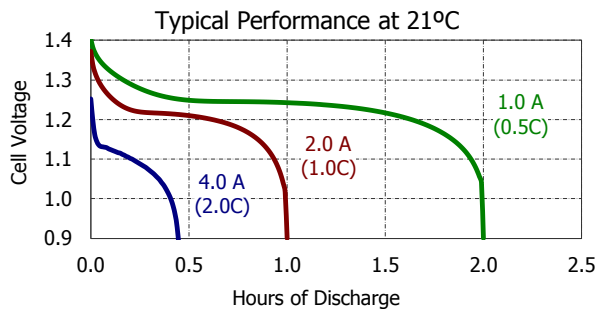
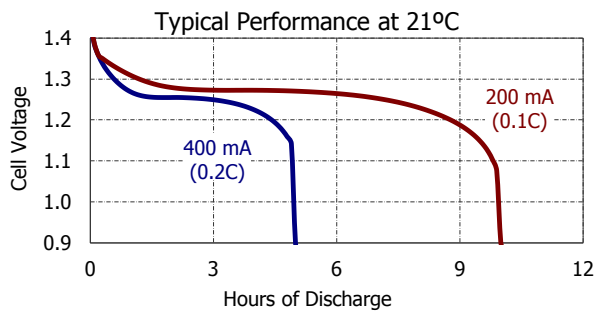
# Rechargeable AA-2000 (HR6)



## Industry Standard Dimensions



## Typical Discharge Characteristics



## Specifications

- Classification:** ACCU Recharge Power Plus
- Chemical System:** Nickel-Metal Hydride (NiMH)
- Designation:** IEC-HR6
- Nominal Voltage:** 1.2 Volts
- Rated Capacity:** 2000 mAh (to 1.0 volts)  
Based on 400 mA (0.2C) discharge rate
- Typical Weight:** 28.0 grams
- Typical Volume:** 8.3 cubic centimeters
- Jacket:** Plastic Label

### Internal Resistance:

The internal resistance of the cell varies with state of charge, as follows:

| Cell Charged | Cell 1/2 Discharged |
|--------------|---------------------|
| 30 milliohms | 40 milliohms        |

(tolerance of ±20% applies to above values)

### AC Impedance (No Load):

The impedance of the charged cell varies with frequency, as follows:

| Frequency (Hz) | Impedance (milliohms)<br>(Charged Cell) |
|----------------|---|
| 1000           | 12                                      |

Above values based on AC current set at 1.0 ampere. Value tolerances are ±20%.

### Operating and Storage Temperatures:

To maintain maximum performance, observe the following general guidelines regarding environmental conditions.

- Charge: 0°C to 40°C
- Discharge: 0°C to 50°C
- Storage: -20°C to 30°C
- Humidity: 65±20%

Operating at extreme temperatures, will significantly impact battery cycle life.

### Important Notice

This datasheet contains information specific to battery chargers manufactured at the time of its publication.  
 ©Energizer Holdings, Inc. - Contents herein do not constitute a warranty.