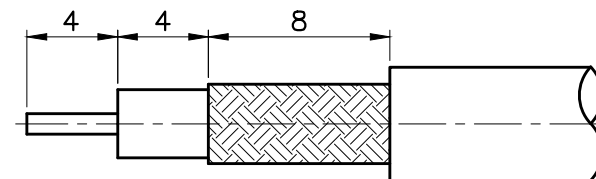
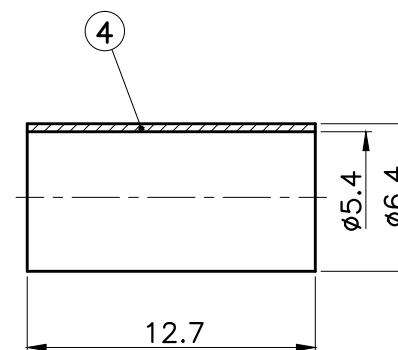
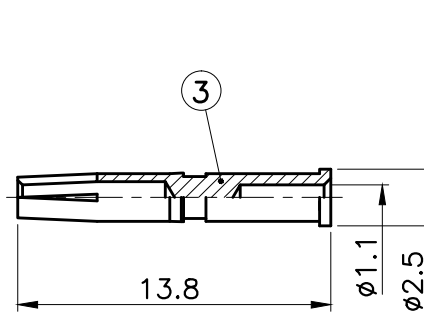
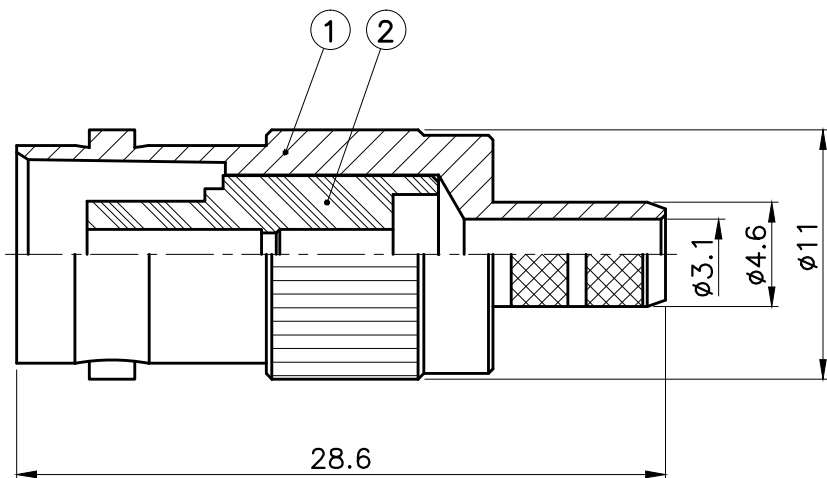


REVISIONS	
ISS	DESCRIPTION \ DATE

RoHS COMPLIANT



CABLE STRIPPING DIM'S



1. CRIMPED FERRULE
HEX CRIMP SIZE .213"
2. CRIMPED CONTACT PIN
HEX CRIMP SIZE .068"



TITLE: BNC FEMALE CRIMP (FOR RG58)	APRD:	UNLESS OTHERWISE SPECIFIED TOLERANCES 0.5-6 = ±0.2 >6-30 = ±0.4 >30-120 = ±0.6 >120-315 = ±1 >315-1000 = ±1.6 ANGLES = ±5°				
PART NO: BNC8-58	CHKD:					
DRAWING NO: 50665-100(B007B058/448)	DR:					
	DATE: 02/09/09"	UNIT: mm	4	FERRULE	BRASS	NICKEL
	SHEET: .	SCALE: 3/1	3	CONTACT PIN	BRASS	GOLD
			2	INSULATOR	DELIRIN	WHITE
			1	BODY	BRASS	NICKEL
			NO.	DESCRIPTION	MATERIAL	FINISH