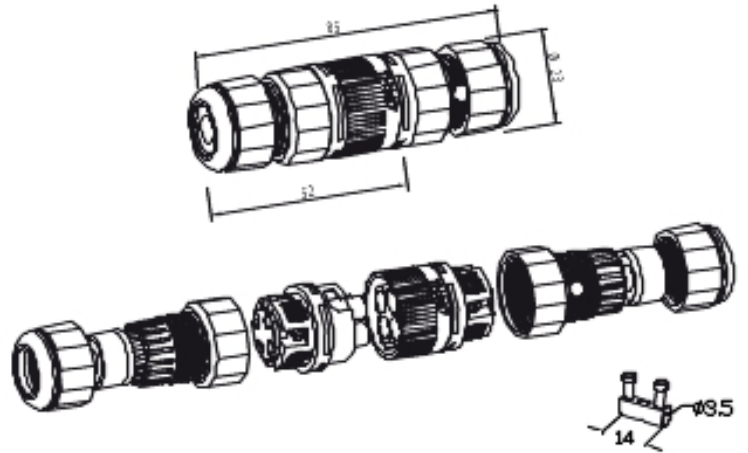


THB.387.A4A

TeePlug 4 pole Screw terminal 7mm to 12mm cable diameter, 4 mm max conductor size IP68 17.5A 450V 1 cable entry



PRODUCT SPECIFICATIONS

Temperature "T" rating	T125
Minimum cable diameter (mm)	7
Maximum cable diameter (mm)	12
Fixing system	Cable
Cable entries	1
Number of poles	4
Terminal type	Screw
Body material	PA66
Max conductor size (Sq mm)	4
Max current (A)	17.5
Max voltage (V)	450
Minimum temp rating °C	-40
Max temp rating °C	125
IP rating	68