



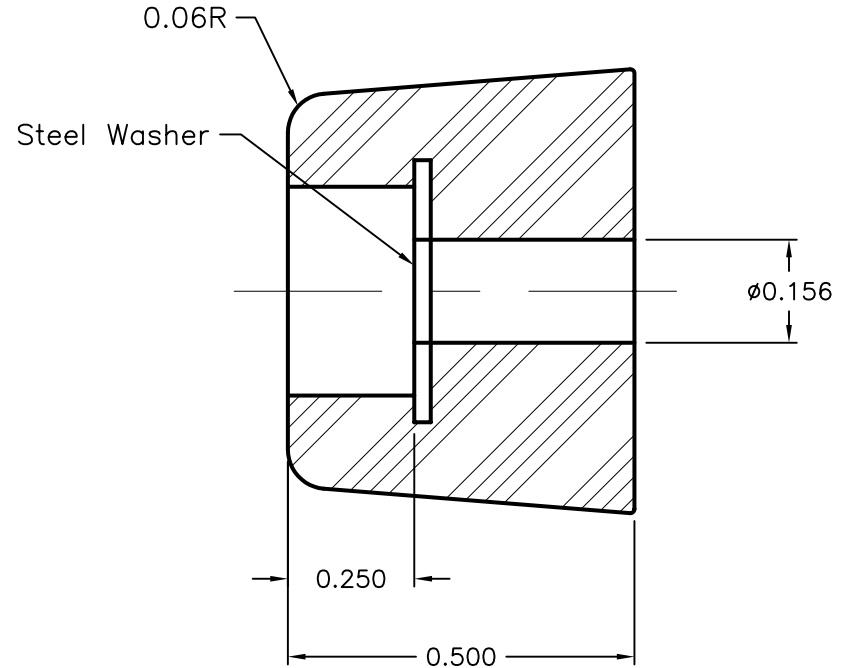
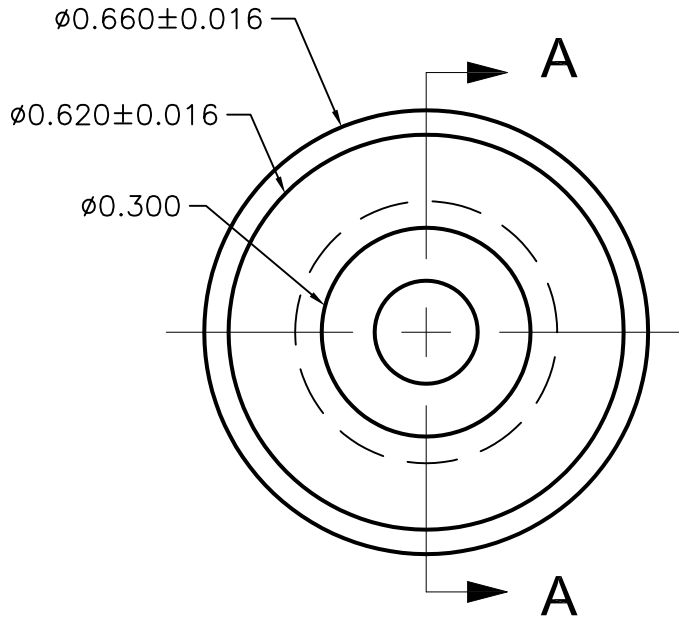
ALL RIGHTS RESERVED. NO PORTION OF THIS PUBLICATION, WHETHER IN WHOLE OR IN PART CAN BE REPRODUCED WITHOUT THE EXPRESS WRITTEN CONSENT OF SPC TECHNOLOGY.

SPC-F005.DWG

REVISIONS

DOC. NO. SPC-F005 * Effective: 7/8/02 * DCP No: 1398

DCP #	REV	DESCRIPTION	DRAWN	DATE	CHECKD	DATE	APPRVD	DATE
1193	D	REDRAWN & UPDATED	HYO	6/4/01	JC	6/4/01	JC	6/4/01
1899	E	Update To RoHS Compliant	EO	3/27/06	HO	3/27/06	HO	3/27/06



Section A-A

SPECIFICATIONS:

1. Material: Styrene butadiene rubber (SBR)
2. Color: Black
3. Durometer Range: 40 ~ 80
4. Flammability: N/A
5. Continuous Use Temperature: -10 °F ~ 180 °F (-23.33 °C ~ 822 °C)

DISCLAIMER:
ALL STATEMENTS AND TECHNICAL INFORMATION CONTAINED HEREIN ARE BASED UPON INFORMATION AND/OR TESTS WE BELIEVE TO BE ACCURATE AND RELIABLE. SINCE CONDITIONS OF USE ARE BEYOND OUR CONTROL, THE USER SHALL DETERMINE THE SUITABILITY OF THE PRODUCT FOR THE INTENDED USE AND ASSUME ALL RISK AND LIABILITY WHATSOEVER IN CONNECTION THEREWITH.

TOLERANCES:

Tolerances Unless
Otherwise Specified
.XXX ± 0.010

DRAWN BY:	DATE:
J.C.	9/18/91
CHECKED BY:	DATE:
APPROVED BY:	DATE:

DRAWING TITLE:			
RUBBER BUMPER			
SIZE	DWG. NO.	ELECTRONIC FILE	REV
A	BG-513	32F1331.DWG	E
SCALE: NTS		U.O.M.: INCHES	SHEET: 1 OF 1