

# Digital Red, Green and Blue Color Light Sensor with IR Blocking Filter

## ISL29125

The ISL29125 is a low power, high sensitivity, RED, GREEN, and BLUE color light sensor (RGB) with an I<sup>2</sup>C (SMBus compatible) interface. Its state-of-the-art photodiode array provides an accurate RGB spectral response and excellent light source to light source variation (LS2LS). The ISL29125 is designed to reject IR in light sources allowing the device to operate in environments from sunlight to dark rooms. The integrating ADC rejects 50Hz and 60Hz flicker caused by artificial light sources. A selectable range allows the user to optimize sensitivity suitable for the specific application. In normal operation mode the device consumes 56µA which reduces to 0.5µA in power down mode. The ISL29125 supports hardware and software user programmable interrupt thresholds. The Interrupt persistency feature reduces false trigger notification. The device operates on supplies (VDD) from 2.25V to 3.63V, I<sup>2</sup>C supply from 1.7V to 3.63V, and operating temperature over the -40°C to +85°C.

## Features

- 56µA operating current, 0.5µA shutdown current
- Selectable range (Via I<sup>2</sup>C)
- I<sup>2</sup>C (SMBus compatible) output
- ADC resolution 16 bits
- Programmable interrupt windows
- Two optical sensitivity ranges
  - Range 0 = 5.7m lux to 375 lux
  - Range 1 = 0.152 lux to 10,000 lux
- Operating power supply 2.25 to 3.63V
- I<sup>2</sup>C power supply 1.7V to 3.63V
- 6 Ld ODFN (1.65x1.65x0.7mm) package

## Applications

- Smart phone, PDA, GPS, tablet PCs, LCD-TVs, digital picture frames, digital cameras
- Dynamic display color balancing
- Printer color enhancement
- Industrial/commercial LED lighting color management
- Ambient light color detection/correction
- OLED display aging compensation

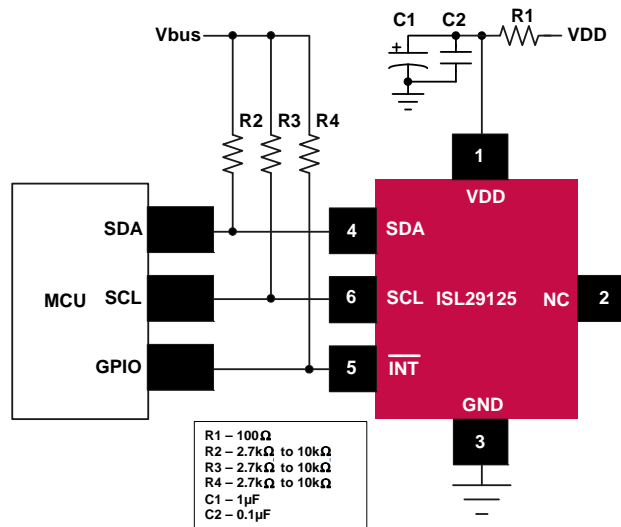


FIGURE 1. TYPICAL APPLICATION DIAGRAM

For additional products, see [www.intersil.com/en/products.html](http://www.intersil.com/en/products.html)

Intersil products are manufactured, assembled and tested utilizing ISO9001 quality systems as noted in the quality certifications found at [www.intersil.com/en/support/qualandreliability.html](http://www.intersil.com/en/support/qualandreliability.html)

---

*Intersil products are sold by description only. Intersil Corporation reserves the right to make changes in circuit design, software and/or specifications at any time without notice. Accordingly, the reader is cautioned to verify that data sheets are current before placing orders. Information furnished by Intersil is believed to be accurate and reliable. However, no responsibility is assumed by Intersil or its subsidiaries for its use; nor for any infringements of patents or other rights of third parties which may result from its use. No license is granted by implication or otherwise under any patent or patent rights of Intersil or its subsidiaries.*

---

For information regarding Intersil Corporation and its products, see [www.intersil.com](http://www.intersil.com)