

# OC100F product information sheet



The OC100F is a low-cost, low-profile mounting solution for medium, thin profile TVs.

## Product Benefits

- Low profile offers sufficient room for cable connections and cooling while keeping TV close to the wall
- Ideal for TVs with bottom- or side-loading connectors
- Lift n' Lock™ feature offers easy, three step installation
- Horizontal wall plate requires only two holes for quick installation
- Wall plate has integrated level
- Small footprint provides ample room for power and A/V cutouts behind TV
- Vertical rails fit VESA and non-VESA TVs
- Vertical rails slide on wall plate for minor left/right repositioning
- Locking bar secures TV to mount
- Includes complete hardware kit

## Product Specifications

**Fits most:** 23–52" TVs

**Supports up to:** 100 lbs (45.4 kg)

**Mounting profile:** 1.3" (3.2 cm)

**Universal & VESA compliant:**

100x100 to 400x300

**Mounting:** Double-stud or solid wall

**Warranty:** 5 years

**Color:** Black



## Series



OC150T



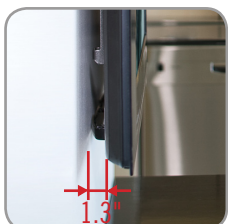
OC150F



OC100T



OC100F



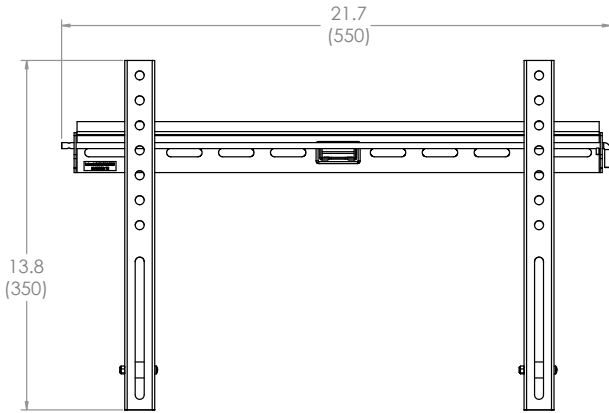
A 1.3" (3.2 cm) profile allows for easy connectivity and sufficient cooling.

[800.MOUNT.IT](http://800.MOUNT.IT) (800.668.6848)

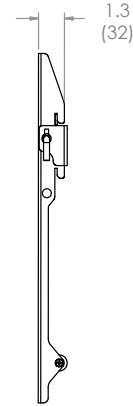


04102013

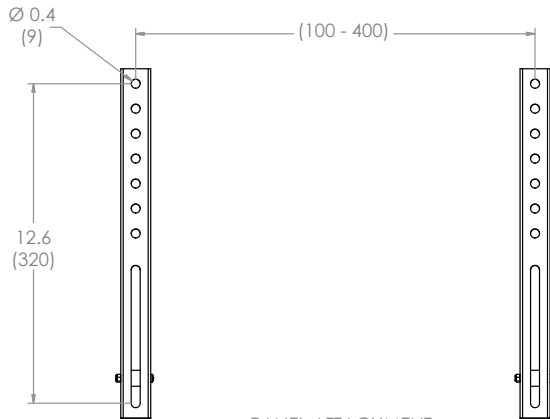
# OC100F technical data sheet



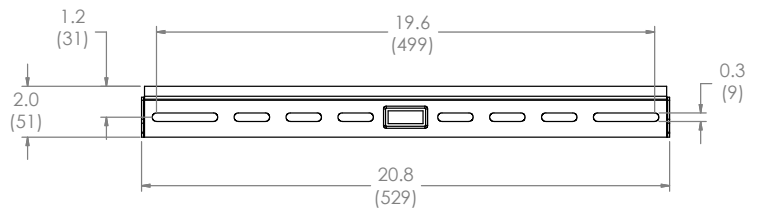
FRONT VIEW



SIDE VIEW  
MOUNTING PROFILE



PANEL ATTACHMENT  
VESA COMPATABILITY (mm)



WALL MOUNTING



inches (mm)

	Packaging UPC	MC UPC
Americas	698833037784	10698833037781
International	NA	NA

	Dimensions WxDxH inches (mm)	Wt lbs (kg)	Qty
Box	24.7 x 2.3 x 2.0 (627x58x50)	0.4 (0.2)	NA
MC	27.7 x 5.5 x 5.2 (703x140x133)	3.5 (1.6)	4

Box Contents	Qty
Wall plate	1
Vertical rail	2
Bubble level	1

Box Contents	Qty
Locking bar	1
Complete hardware kit	1
Instruction manual	1

