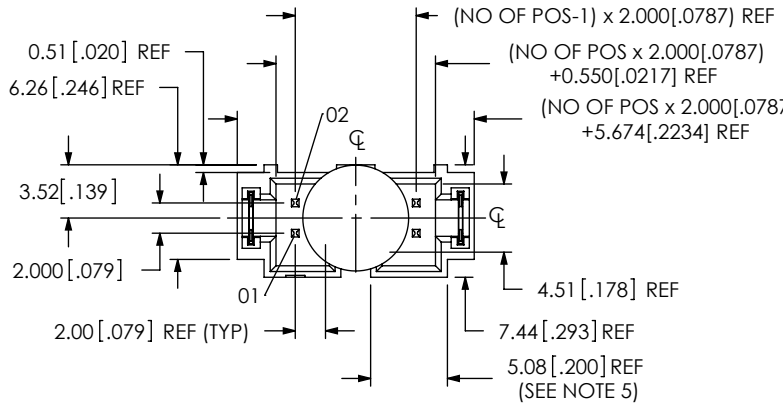


DO NOT  
SCALE FROM  
THIS PRINT



No OF POSITIONS  
 \*\*-.02, \*\*-.04, -.05, -.07, -.10, -.15, -.20, -.25, & -.30 (PER ROW)  
 AVAILABLE AS STANDARD;  
 OTHER SIZES BETWEEN -.05 THRU -.50 AVAILABLE AS ASO

LEAD STYLE  
 -01

PLATING SPECIFICATION  
 -L: 15μ" SELECTIVE GOLD IN CONTACT AREA, MATTE TIN ON TAIL (USE T-1S13-XX-L-2)  
 -S: 30μ" SELECTIVE GOLD IN CONTACT AREA, MATTE TIN ON TAIL (USE T-1S13-XX-S-2)

ROW SPECIFICATION  
 -D: DOUBLE ROW

OPTION  
 -DS: DUAL SCREW DOWN (SEE FIG 6, SHT 3) (FOR 1.57mm [.062] PCB) (AVAILABLE 5-30 POSITIONS ONLY) (NOT AVAILABLE WITH -RA, -WT OPTIONS) (USE T-1S13-04-X-2 WITH TH OPTION AND TI-M2-4-VFSM-T, USE T-1S13-20-X-2 WITH SM OPTION AND TI-M2-4-VFSM-T)  
 -K: POLYIMIDE FILM (-SM OPTION ONLY) (USE K-500-300, SEE FIG 4) (NOT AVAILABLE IN -.02 OR -.04 POSITIONS)  
 -TR: TAPE & REEL (-SM OPTION ONLY) (NOT AVAILABLE IN -.02 OR -.04 POSITIONS)  
 -WT: WELD TAB : (USE WT-25-07-T); (-SM, SEE FIG 3, SHT 2) (-TH, SEE FIG 5, SHT 2) -RA: (USE WT-81-01-T)

OPTION  
 -TH: THROUGH HOLE (SEE FIG 1)  
 -RA: RIGHT ANGLE (SEE FIG 2)  
 -SM: SURFACE MOUNT (SEE FIG 3, SHT 2)

\*\* = ONLY AVAILABLE WITH -SM-WT OR -RA-WT OPTIONS

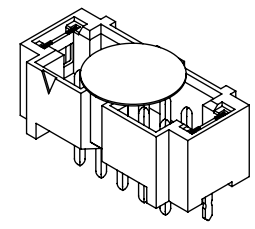
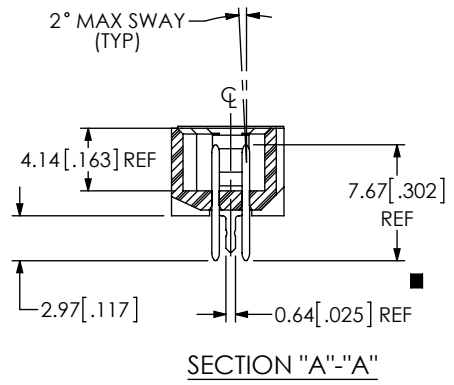
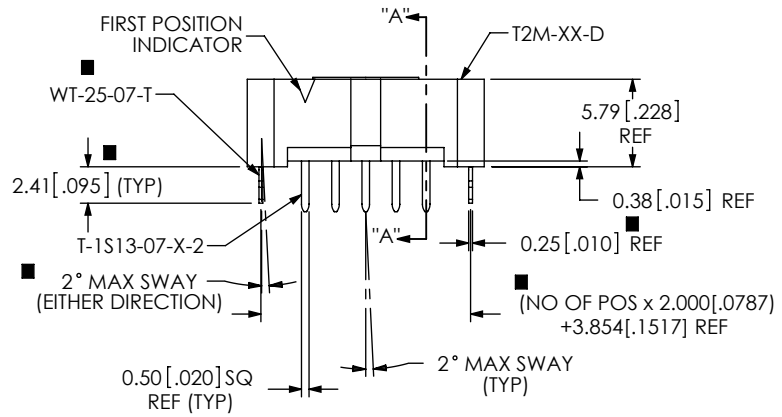


FIG 1  
 T2M-105-01-X-D-TH-XX  
 (■ = ONLY APPLICABLE WITH -WT OPTION)

NOTES:

- ⊗ REPRESENTS A CRITICAL DIMENSION.
- MINIMUM PUSHOUT FORCE: 4.44N [1.0 LB].
- POST HEIGHT VARIATION BETWEEN ANY TWO PINS: 0.13 [.005] MAXIMUM.
- MAXIMUM PIN ROTATION IN BODY TO BE 2°.
- DUAL POLARIZATION SLOT NOT AVAILABLE ON CONNECTOR WITH LESS THAN 5 POSITIONS.

UNLESS OTHERWISE SPECIFIED, DIMENSIONS ARE IN MILLIMETERS. TOLERANCES ARE:  
 DECIMALS ANGLES  
 X.X: ±0.3 [.01] 2°  
 X.XX: ±0.13 [.005]  
 X.XXX: ±0.051 [.0020]

PROPRIETARY NOTE  
 THIS DOCUMENT CONTAINS INFORMATION CONFIDENTIAL AND PROPRIETARY TO SAMTEC, INC. AND SHALL NOT BE REPRODUCED OR TRANSFERRED TO OTHER DOCUMENTS OR DISCLOSED TO OTHERS OR USED FOR ANY PURPOSE OTHER THAN THAT WHICH IT WAS OBTAINED WITHOUT THE EXPRESSED WRITTEN CONSENT OF SAMTEC, INC.



520 PARK EAST BLVD, NEW ALBANY, IN 47150  
 PHONE: 812-944-6733 FAX: 812-948-5047  
 e-Mail info@SAMTEC.com code 55322

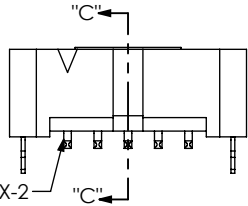
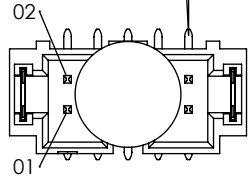
MATERIAL: DO NOT SCALE DRAWING SHEET SCALE: 2:1  
 INSULATOR: LCP, COLOR: BLACK  
 TERMINAL: PHOS BRONZE  
 WELD TAB: PHOS BRONZE  
 KAPTON: POLYIMIDE FILM

DESCRIPTION:  
 2mm SHROUDED TERMINAL STRIP

DWG. NO.  
 T2M-1XX-XX-X-D-XX-XX

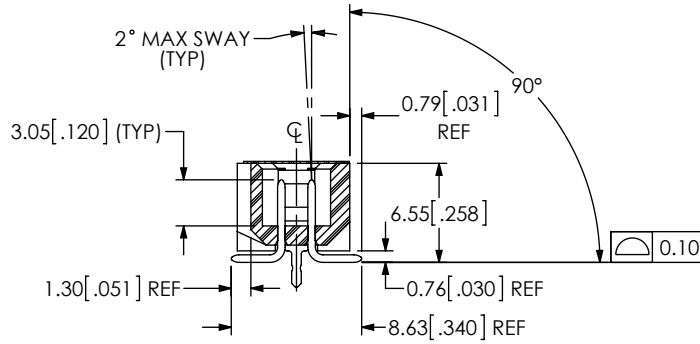
BY: J. BORGELT 3/23/09 SHEET 1 OF 3

2° MAX SWAY (TYP)

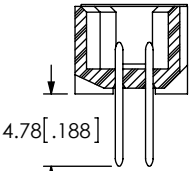


T-1S13-20-X-2

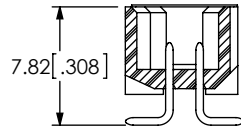
FIG 3  
T2M-105-01-X-D-SM-WT SHOWN  
(SAME AS FIG 1, EXCEPT AS SHOWN)



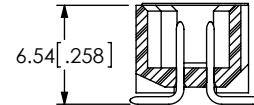
SECTION "C"-"C"



-SM IN PROCESS 1



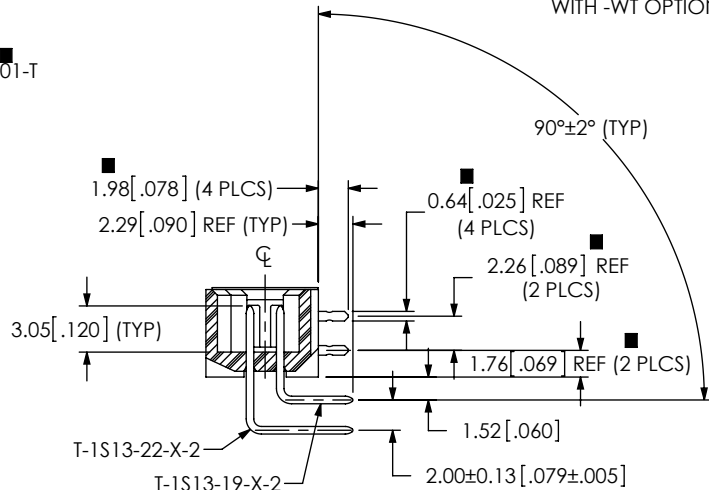
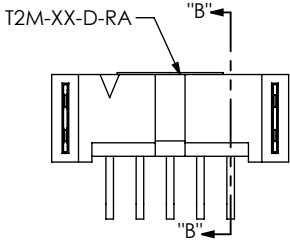
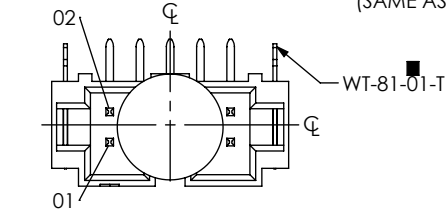
-SM IN PROCESS 2



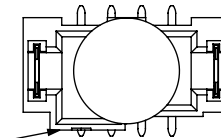
-SM IN PROCESS 3

FIG 2  
T2M-105-01-X-D-RA-XX  
(SAME AS FIG 1, EXCEPT AS SHOWN)

■ = ONLY APPLICABLE WITH -WT OPTION



SECTION "B"-"B"



(SEE NOTE 5)

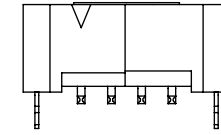
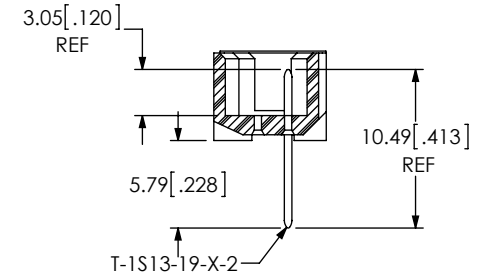
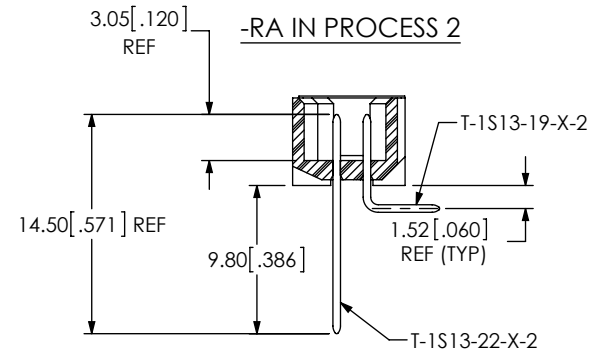


FIG 5  
T2M-104-01-X-D-SM-WT  
(SAME AS FIG 1, EXCEPT AS SHOWN)  
(T2M-102-01-X-D-SM-WT SIMILAR)

-RA IN PROCESS 1



-RA IN PROCESS 2



PROPRIETARY NOTE  
THIS DOCUMENT CONTAINS INFORMATION  
CONFIDENTIAL AND PROPRIETARY TO  
SAMTEC, INC. AND SHALL NOT BE REPRODUCED  
OR TRANSFERRED TO OTHER DOCUMENTS OR  
DISCLOSED TO OTHERS OR USED FOR ANY  
PURPOSE OTHER THAN THAT WHICH IT WAS  
OBTAINED WITHOUT THE EXPRESSED WRITTEN  
CONSENT OF SAMTEC, INC.

DO NOT SCALE DRAWING

SHEET SCALE: 2:1



520 PARK EAST BLVD, NEW ALBANY, IN 47150  
PHONE: 812-944-6733 FAX: 812-948-5047  
e-Mail: info@SAMTEC.com code 55322

DESCRIPTION:  
2mm SHROUDED TERMINAL STRIP

DWG. NO.  
T2M-1XX-XX-X-D-XX-XX

BY: J. BORGELT 3/23/09 SHEET 2 OF 3

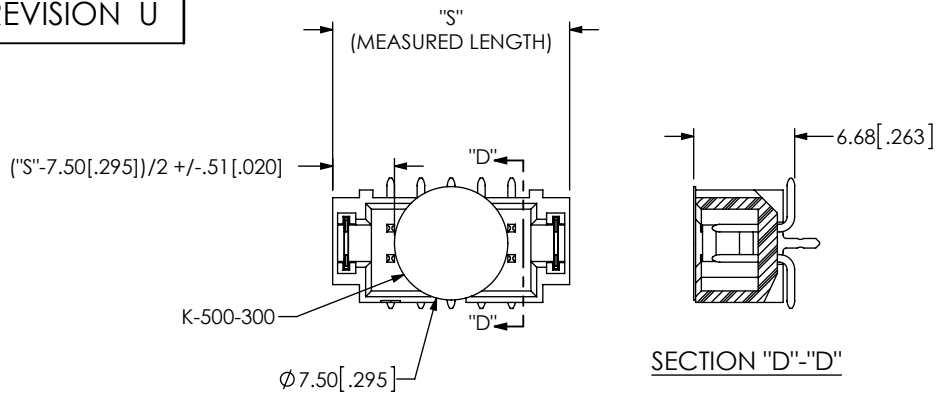
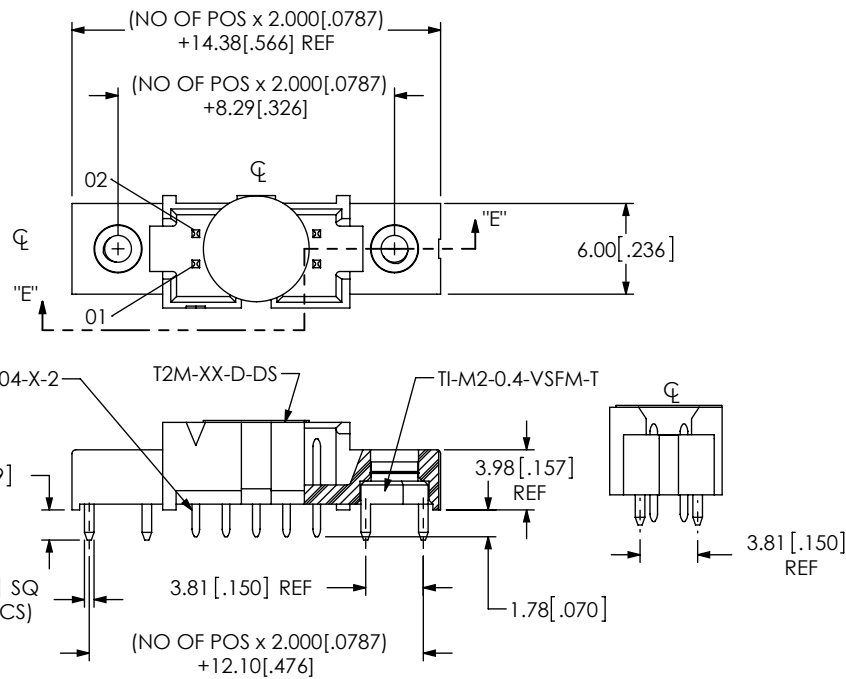
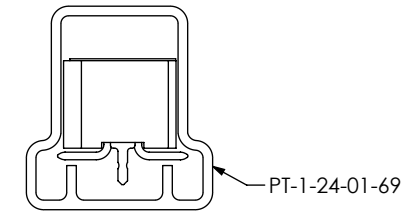
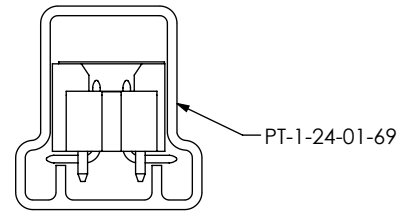
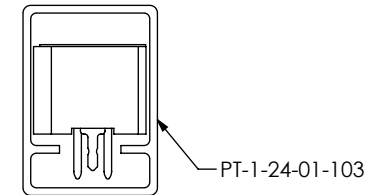
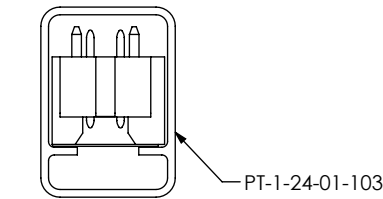
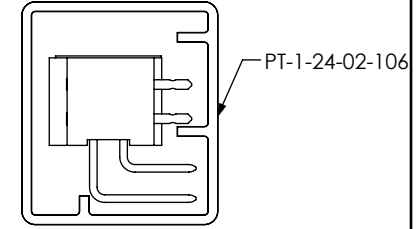


FIG 4  
T2M-105-01-X-D-SM-K SHOWN  
(FOR SURFACE MOUNT OPTION ONLY)

PACKAGING  
ALL PARTS ARE LOADED WITH POSITIONS 1  
TOWARDS ARROW



SECTION "E"-"E"

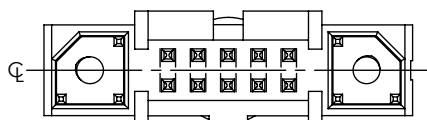


FIG 6  
T2M-105-01-X-D-TH-DS SHOWN  
(SAME AS FIG 1, EXCEPT AS SHOWN)  
(ONLY AVAILABLE WITH -TH & -SM OPTION)

TABLE 1		
OPTIONS	PACKAGING TUBE	PLUG
-TH, -TH-WT	PT-1-24-01-103	TP-09
-SM, -SM-WT	PT-1-24-01-69	TP-09
-RA, -RA-WT	PT-1-24-02-106	TP-07
-TH-DS	PT-1-24-01-103	TP-09
-SM-DS	PT-1-24-01-69	TP-09

PROPRIETARY NOTE

THIS DOCUMENT CONTAINS INFORMATION CONFIDENTIAL AND PROPRIETARY TO SAMTEC, INC. AND SHALL NOT BE REPRODUCED OR TRANSFERRED TO OTHER DOCUMENTS OR DISCLOSED TO OTHERS OR USED FOR ANY PURPOSE OTHER THAN THAT WHICH IT WAS OBTAINED WITHOUT THE EXPRESSED WRITTEN CONSENT OF SAMTEC, INC.

DO NOT SCALE DRAWING

SHEET SCALE: 2:1



520 PARK EAST BLVD, NEW ALBANY, IN 47150  
PHONE: 812-944-6733 FAX: 812-948-5047  
e-Mail info@SAMTEC.com code 55322

DESCRIPTION: 2mm SHROUDED TERMINAL STRIP  
DWG. NO. T2M-1XX-XX-X-D-XX-XX

BY: J. BORGELT 3/23/09 SHEET 3 OF 3