

DIN Receptacle



**RoHS
Compliant**



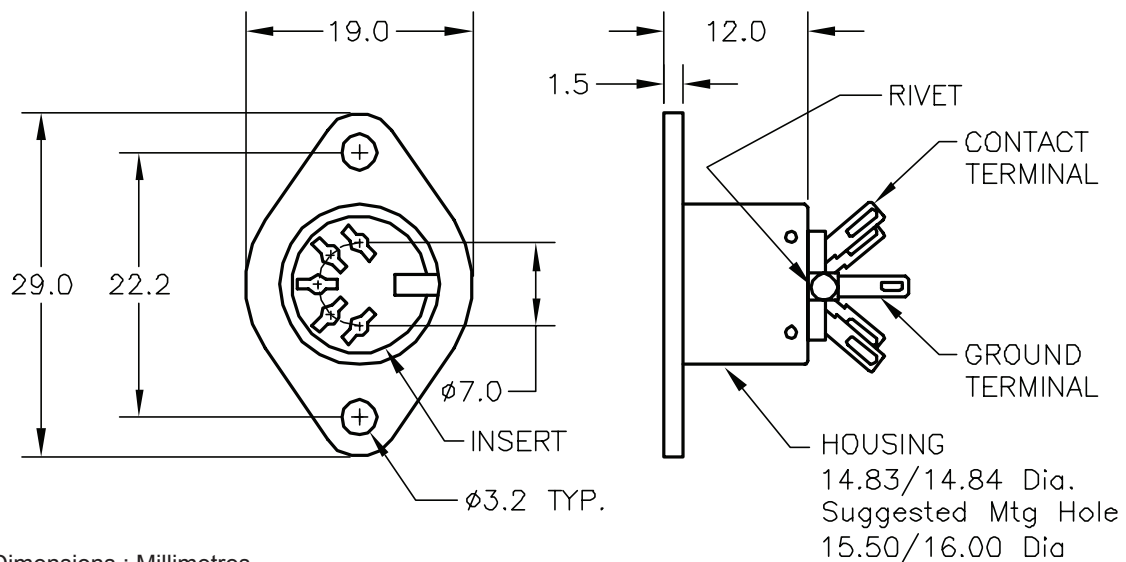
Specifications:

Electrical

Contact Rating : 1A @ 100V AC, 2A @12V DC
 Contact Resistance : 30mΩ Max.
 Insulation Resistance : 50MΩ Min. At 250V DC
 Dielectric Strength : 250V AC for 60 Seconds

Mechanical

Insertion Force : 1kg to 4.5kg
 Withdrawal Force : 0.8kg to 3kg
 Life : 5,000 Cycles



Description	Material	Finish
Rivet	Aluminum	Nickel Plated
Contact Terminal	0.7mm Brass	Tin/Lead Plated
Ground Terminal	0.25mm Phosphor Bronze	Tin/Lead Plated
Insert	PBT	-
Housing	0.4mm Steel	Nickel Plated

Part Number Table

Description	Part Number
Connector, Din, Jack, 5 POS	SPC21460

Important Notice : This data sheet and its contents (the "Information") belong to the members of the Premier Farnell group of companies (the "Group") or are licensed to it. No licence is granted for the use of it other than for information purposes in connection with the products to which it relates. No licence of any intellectual property rights is granted. The Information is subject to change without notice and replaces all data sheets previously supplied. The Information supplied is believed to be accurate but the Group assumes no responsibility for its accuracy or completeness, any error in or omission from it or for any use made of it. Users of this data sheet should check for themselves the Information and the suitability of the products for their purpose and not make any assumptions based on information included or omitted. Liability for loss or damage resulting from any reliance on the Information or use of it (including liability resulting from negligence or where the Group was aware of the possibility of such loss or damage arising) is excluded. This will not operate to limit or restrict the Group's liability for death or personal injury resulting from its negligence. Multicomp is the registered trademark of the Group. © Premier Farnell plc 2012.

www.element14.com
 www.farnell.com
 www.newark.com

