

PLEASE CHECK WWW.MOLEX.COM FOR LATEST PART INFORMATION

Part Number: [19005-0009](#)
Status: **Active**
Description: InsulKrimp™ Fully Insulated Coupler, Female, for 14-16 AWG Wire, Mylar Tape

Documents:

| | |
|--|--|
| 3D Model | Product Specification PS-19902-011 (PDF) |
| Drawing (PDF) | Product Specification PS-19902-015 (PDF) |
| Product Specification PS-19902-008 (PDF) | RoHS Certificate of Compliance (PDF) |

Agency Certification

| | |
|-----|---------|
| CSA | LR18689 |
| UL | E79133 |

General

| | |
|-------------------------|-----------------------|
| Product Family | Quick Disconnects |
| Series | 19005 |
| Crimp Quality Equipment | Yes |
| Insulated | Fully |
| Product Name | InsulKrimp™ |
| Type | Quick Disconnect |
| UPC | 800753030541 |

Physical

| | |
|--------------------------------|-----------------------|
| Barrel Type | Closed |
| Color - Resin | Blue |
| Flammability | 94V-2 |
| Gender | Female |
| Glow-Wire Compliant | No |
| Insulation | Nylon (PA) |
| Lock to Mating Part | None |
| Material - Metal | Brass |
| Material - Plating Mating | Tin |
| Material - Plating Termination | Tin |
| Material - Resin | Nylon |
| Net Weight | 1.359/g |
| Orientation | Straight |
| Packaging Type | Adhesive Tape on Reel |
| Polarized to Mating Part | No |
| Tab Thickness | 0.81mm |
| Tab Width | 6.35mm |
| Temperature Range - Operating | -65°C to +105°C |
| Wire Insulation Diameter | 4.19mm max. |
| Wire Size AWG | 14, 16 |
| Wire Size mm² | 1.30 - 2.00 |

Electrical

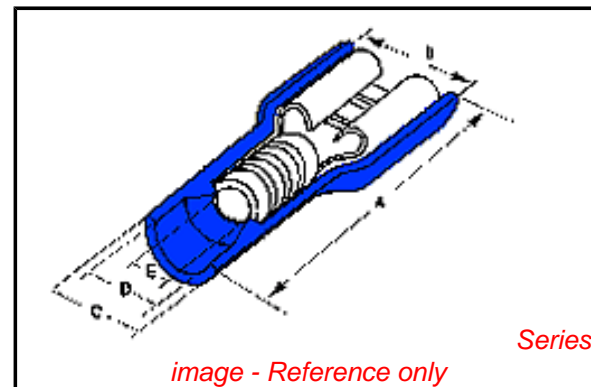
| | |
|-------------------|------|
| Voltage - Maximum | 600V |
|-------------------|------|

Material Info

| | |
|-----------------|----------|
| Old Part Number | BB-2263T |
|-----------------|----------|

Reference - Drawing Numbers

| | |
|-----------------------|--|
| Product Specification | PS-19902-008, PS-19902-011, PS-19902-015 |
| Sales Drawing | SD-19005-001 |



EU RoHS

ELV and RoHS Compliant
REACH SVHC Contains SVHC: No
Low-Halogen Status Low-Halogen

China RoHS



Need more information on product environmental compliance?

Email productcompliance@molex.com
 For a multiple part number RoHS Certificate of Compliance, [click here](#)

Please visit the [Contact Us](#) section for any non-product compliance questions.

Search Parts in this Series

19005Series

Use With

19004-0005 , 19004-0008

Application Tooling | FAQ

Tooling specifications and manuals are found by selecting the products below. Crimp Height Specifications are then contained in the Application Tooling Specification document.

Global

| Description | Product # |
|---|----------------------------|
| Crimp Dies for MTA-100 Tape Applicator used in 3BF Press, MTA-105 Tape Applicator used in TM-2000™ Press, and ATP-301 Air Crimping Press for Mylar Tape Mounted Terminals | 0192880095 |

This document was generated on 10/21/2013

PLEASE CHECK WWW.MOLEX.COM FOR LATEST PART INFORMATION