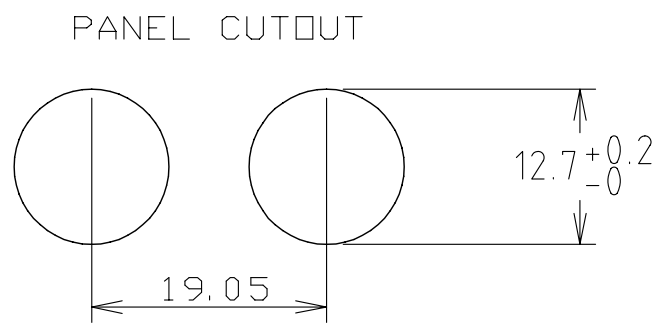
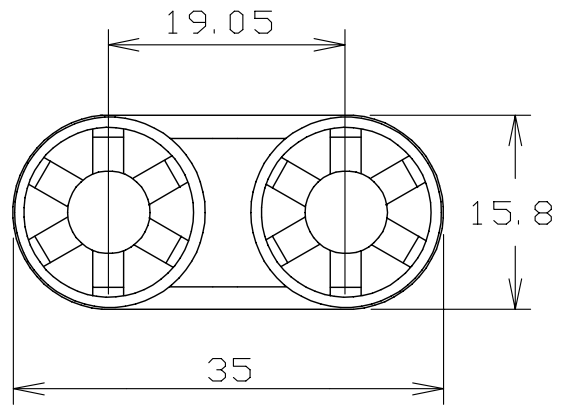
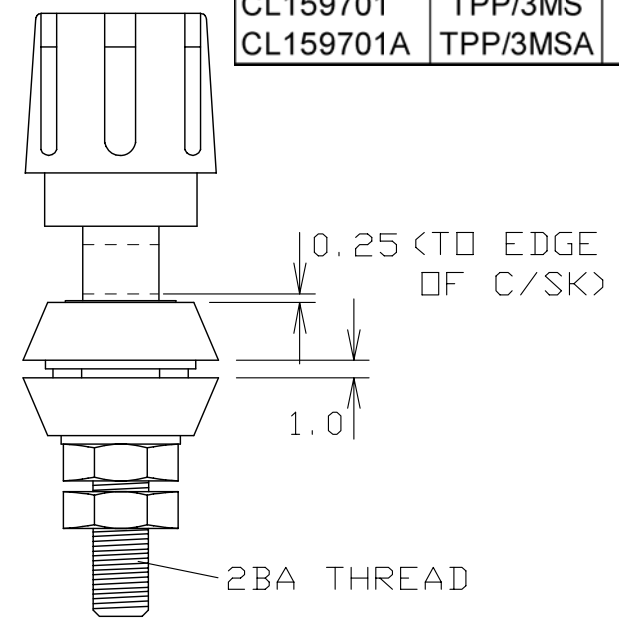
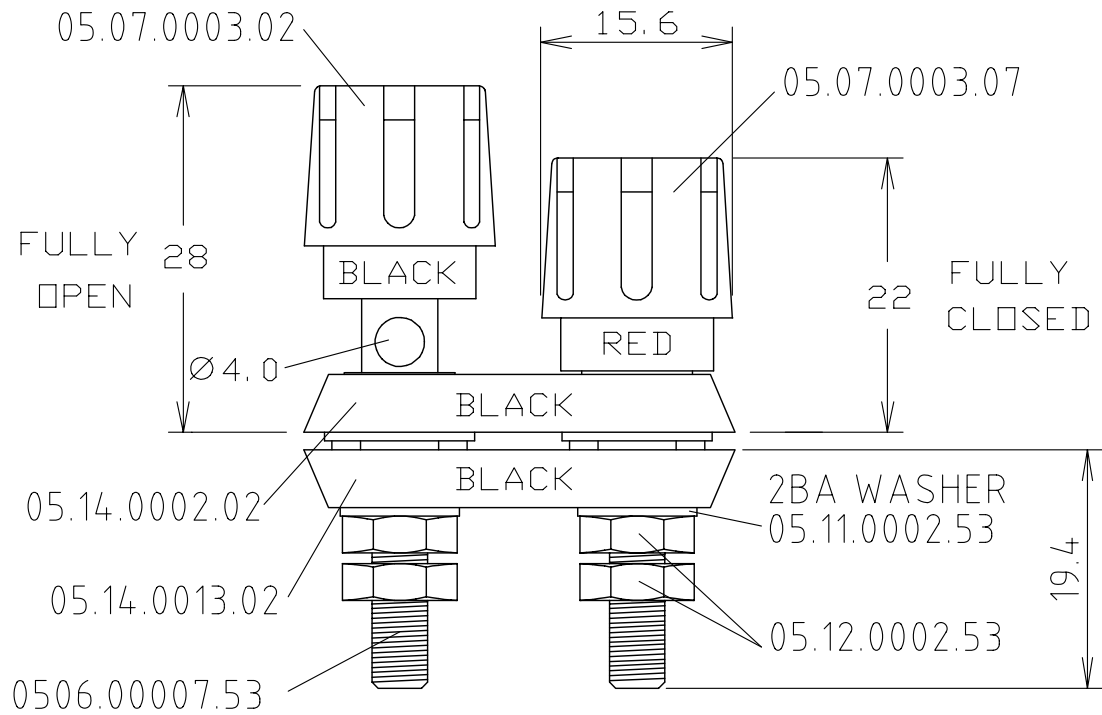


ISS.	AMEND	DATE
1	1st DRAWN	15/04/98
2	SPILL REMOVED	15/09/99
3	CL159701S ADD	28/09/99
4	ASSEM ADD,S TYPE DEL	06/01/12



VARIANTS		
PART NUMBER	MODEL	NUTS + WASHERS + REAR INSULATOR
CL159701	TPP/3MS	BULK PACKED
CL159701A	TPP/3MSA	ASSEMBLED



NOTE
 NUTS / WASHERS / REAR INSULATOR ARE SUPPLIED EITHER:
 BAGGED SEPARATELY (BULK PACKED) or ASSEMBLED - SEE TABLE

RoHS COMPLIANT
TOLERANCE NO DEC. PLACE ± 1 1 DEC. PLACE ± 0.25 2 DEC. PLACE ± HOLE Ø ± ANGLES ± 1/2° UNLESS OTHERWISE STATED

Cliff Electronic Components Ltd.
 76 Holmethorpe Avenue, Holmethorpe Industrial Estate,
 Redhill, Surrey, RH1 2PF, England, UK
 Tel: 01737-771375 Fax: 01737-766012 Website: www.cliffuk.co.uk

THE CONTENTS OF THIS DOCUMENT MUST NOT BE COPIED OR DISCLOSED TO A 3rd PARTY WITHOUT WRITTEN PERMISSION OF CLIFF UK. © 1998

DIMENSIONS IN MILLIMETERS UNLESS OTHERWISE STATED. WORK TO DIMENSIONS. REMOVE ALL BURRS. IF IN DOUBT ASK.

MATERIAL: BRASS / POLYPROPYLENE / NYLON
 FINISH: Ni PLATED / AS MOULDED
 DRAWN: C.A.M.J. APPROVED: R.W.T.

3rd ANGLE PROJECTION:

TITLE: TERMINAL ASSEMBLY TPP/3MS

DRWG. No. **CL159701** FORM: A4DRWGH

DO NOT SCALE